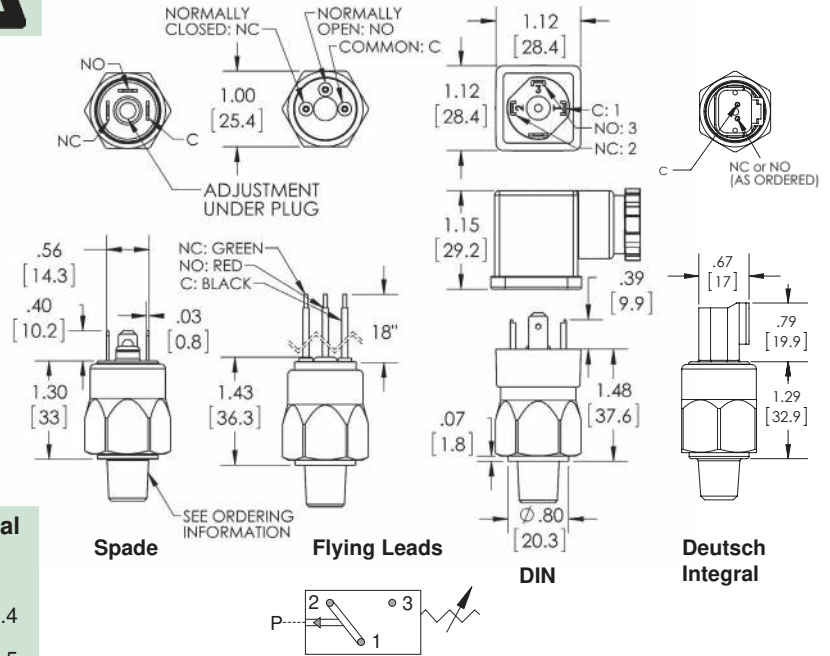
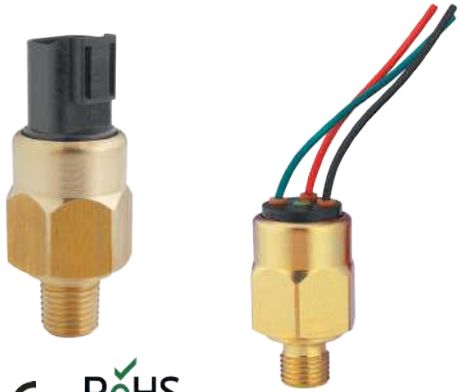


Sensors Inc.

# APA/APF Pressure Switch

WRAS APPROVED PRODUCT



Color coded top cap for identification of the switch circuit.  
 A - RED, SPST / NO    B - GREEN, SPST / NC    C - BLACK, SPDT

Model	Adjustment Range		Average Differential	
	PSI	Bar	PSI	Bar
1	3 - 20	0.2 - 1.4	2 - 5	0.13 - 0.4
2	15 - 80	1.03 - 6	4 - 7	0.27 - 0.5
3	40 - 135	2.7 - 9.3	7 - 10	0.5 - 0.7

**ELECTRICAL:**

Standard: 3A, 125VAC - U.L. Recognized\*  
 Option -7: 0.2A, 60VDC - U.L. Recognized\*  
 Option -9: 5A, 250VAC - U.L. Recognized\*

**MANUFACTURER'S OTHER RATING:**

3A @ 40VDC

**SWITCH TYPE:**

Snap Action

**TEMPERATURE RANGE:**

Buna - N: 15° to +230°F (-10° to 110°C)  
 EPDM: -10° to +250°F (-23° to 121°C)  
 KAPTON®: -40° to +230°F (-40° to 110°C)  
 VITON®: 0° to +250°F (-18° to 121°C)  
 (® Registered Trademark of DuPont)

**PROTECTION:**

Exposed Terminals - IP00  
 DIN HC - IP65  
 Flying Leads & Deutsch Integral - IP69

**REPEATABILITY:**

± 2% of full set point range at 70°F (21°C)  
 Ambient Temperature

**WETTED MATERIAL:**

Diaphragm: Buna-N Standard  
 (optional EPDM, KAPTON®, and VITON®)  
 Housing: Brass  
 (optional Steel - Electroless Nickel Plated)  
 (optional 316 Stainless Steel)

**MECHANICAL LIFE:**

1,000,000 cycles

**MAXIMUM OVERPRESSURE:**

350 PSI (24 Bar)

**WEIGHT:**

0.15 LBS  
 (0.07 kg)

**ORDERING INFORMATION**

APA	- * 2	- * R	- 4M	- A	- FL	- * 1
Model	Set Point	Direction	Port Size	Circuit	Terminal	Options
APA - Field Adjustable	See Above Adjustment Ranges	R - PSI Rising F - PSI Falling BR - Bar Rising BF - Bar Falling	2M - 1/8 NPT 4M - 1/4 NPT 2G - 1/8 BSPP 4G - 1/4 BSPP	A - SPST / NO B - SPST / NC C - SPDT	SP - 1/4" x 1/32" Spade TS - 6-32 Terminal Screws FL - 18" Flying Leads FLWTF - Weatherpack Tower Female FLWTM - Weatherpack Tower Male FLWSF - Weatherpack Shroud Female FLWSM - Weatherpack Shroud Male H - DIN 43650A Male Half Only HC - DIN 43650A Cable Clamp HN - DIN 43650A 1/2 Conduit (female) HCC - XXX (Specify Length in Inches) HC11A - DIN Light NO/NC 110V HC11B - DIN Light NO/NC 12VDC HC11C - DIN Light NO/NC 24VDC HC11D - Indicating Light Green/Red DI - Deutsch Integral	* - Omit If Standard 1 - VITON® Diaphragm 2 - EPDM Diaphragm 3 - KAPTON® Diaphragm 4 - 316 SS Housing 4A - Steel - Electroless Nickel Plated 5 - Spiral Restrictor 6 - Oxygen Cleaned 7 - Gold Contacts 9 - 5 AMP Rating UL - UL Recognized** **For Selected Models Only - Consult Factory 12 - WRAS Approved
APF - Factory Set	* Model APF Specify Set Point Required	*Omit For Model APA	4S - 7/16X20 SAE MALE 4SW - 7/16X20 SAE Swivel 6S - 9/16X18 SAE MALE M10 - M10X1 M12 - M12X1.5  Consult Factory for Specials.			