

FEATURES

- Roof mount bracket for MXN22 ball camera series
- Suitable for small and mid size delivery vans
- Easy Installation
- Aerodynamic and fashionable design
- Robust housing
- Adjustable viewing direction



Camera Installation

Contents

- Roof mount bracket
- Gasket for camera
- Fixation holder for camera

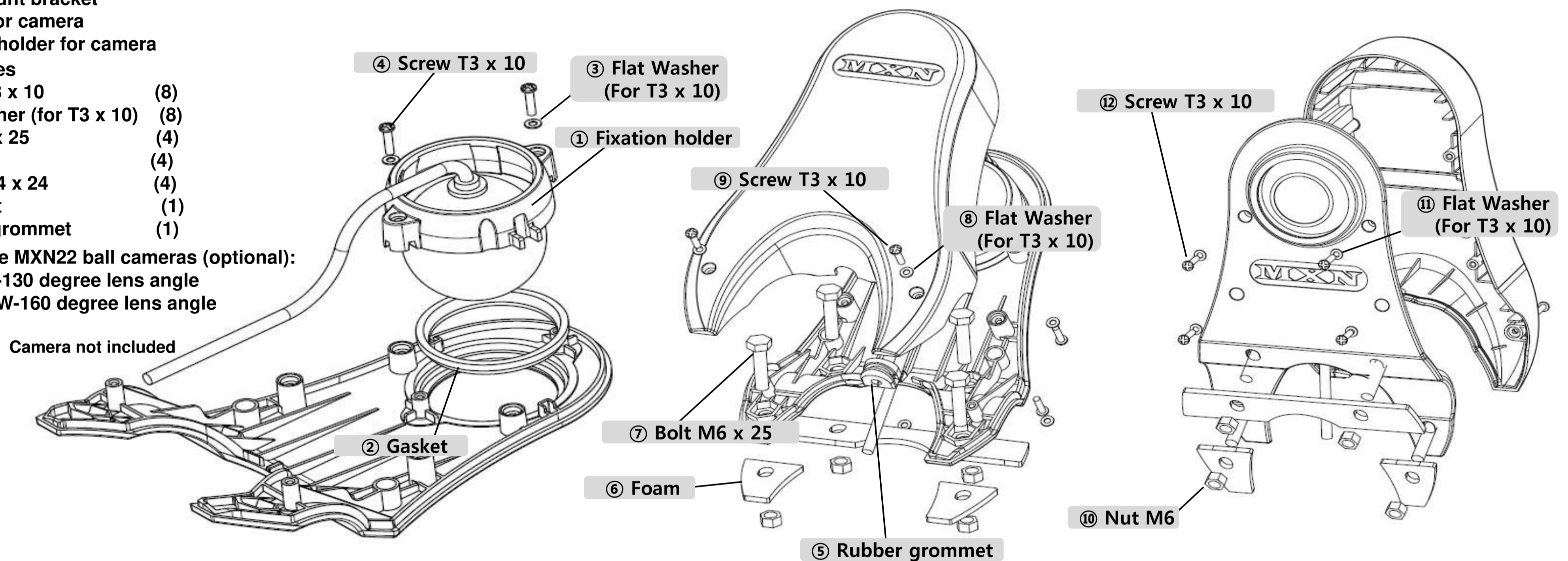
Accessories

- Screw T3 x 10 (8)
- Flat Washer (for T3 x 10) (8)
- Bolt M6 x 25 (4)
- Nut M6 (4)
- Screw M4 x 24 (4)
- Foam set (1)
- Rubber grommet (1)

Compatible MXN22 ball cameras (optional):

- MXN22C-130 degree lens angle
- MXN22CW-160 degree lens angle

Camera not included



- Make sure in advance that there is enough free space available at the inside of the vehicle's roof before you drill any holes from the outside.
- Install the bracket's bottom plate at a suitable position on the vehicle's roof.
- Before fixing the fixation holder, adjust the camera's viewing direction (max. 22.5 degree forwards or max. 22.5 degree backwards) into the required camera picture at the monitor.
- Then run the camera cable through the rubber grommet (in organic lines) and close the bracket's top housing part carefully.

Dimensions

