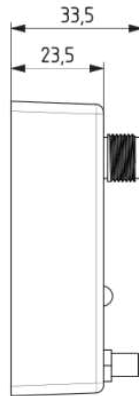
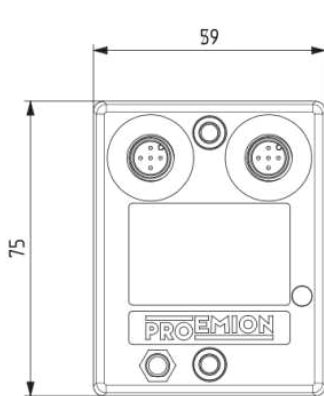


DATA SHEET

CANlink[®] wireless 3001/3002



Mechanical Data	3001	3002
Dimensions width / height / depth [mm]	59 / 75 / 33.5	
Degree of protection	IP 67	IP 65
Temperature range	-30 °C ... +75 °C / -22 °F ... +167 °F	
Weight	59g	62g
Electrical Data		
DC power supply	8 V - 32 V	
Power input @ 24 V (sleep mode)	< 60mA (< 1mA)	
Memory: Program / Configuration / Data	1024 kB / 16 kB / (32 MB on request)	
Status LEDs (2-colors)	1	
Interfaces / Protocols		
CAN (ISO 11898-2 High Speed, 2.0 A/B)	1	
WLAN	IEEE 802.11 a/b/g/n IEEE 802.11 d/e/i/h Dual band: 2.4 GHz / 5 GHz Security: WPA2-PSK, WPA-PSK, WEP64, WEP128, LEAP, PEAP	
Bluetooth	Classic Bluetooth Version: 2.1 + EDR Serial Port Profile (SPP)	
Antenna internal / external (connector)	internal	external (RP-SMA)
Range WLAN	TBD	TBD
Range Bluetooth	TBD	TBD
RS232	✓	
Layer 2	✓	
Customized CAN protocols	On request	
Software		
RMtools Dashboard	✓	
RM CAN Device Monitor	✓	
PROEMION Tools CD	157 002 059	
Accessories / Product number		
CANlink [®] wireless	253 001 058	253 001 059
CAN cable M12 5-pin / 9-pin D-Sub + power	136 000 028	
CAN cable M12 5-pin / open 2m	136 000 005	
USB-RS232 Converter, M12 5-pin, 1.8m	257 001 017	
Dual band Bluetooth- / WLAN antenna tiltable 90°	-	157 000 085
Starterkit		
CANlink [®] wireless Starter Kit	253 000 140	253 000 131
Certifications		
CE, FCC, E1	✓	

Preliminary