

DCA/B

PRESSURE ALARM SWITCHES

- Accurate Pressure Sensing
- Built in Restrictor, for Pulse Protection
- User Defined Fixed Setting
- Broad Choice of Mounting Threads Available
- IP65 Ingress Protection as Standard
- Withstands Acceleration to 8G
- Rugged Construction for Tough Applications
- Temperature switch version available

Application

DCA/B Pressure switches are ideally suited for use on all types of engines, pumps, compressors, gearboxes, industrial power plant and other applications where a rugged reliable control is required.

Physical Description

The DCA consists of a single compact non-adjustable unit based on a 32 A/F hex zinc plated and passivated steel body. This enables the control to be fitted directly into the application.

The DCA/B senses pressure through a small orifice at the base of the thread. This incorporates a restrictor to prevent long-term damage through pulsing.

Electrical connections are configured by attaching standard 6.35mm Faston terminals. Upon installation, normally open/closed or change over may be selected. Special variants with an internal earth (earth return) and an improved IP68 rating can be specified upon



order. A Rubber Gator is also available as an optional extra.

Operation

Should a hazardous condition arise, the DCA/B can be arranged to operate an alarm or initiate a shutdown at a pre-determined operating pressure, preventing damage to your valuable plant machinery.

Installation Considerations

Check there is enough clearance around the flats of the body and ensure the maximum possible pressure is not exceeded for a long service life.

The DCA/B automatically reset once the application pressure has decreased. The DCA/B has a differential of 0.5bar.

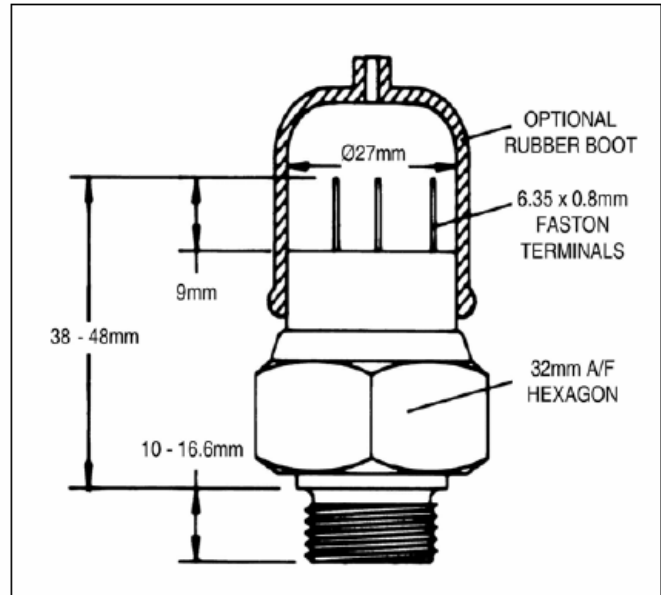


Teddington Controls

Technical Specification

Standard Features

Operating Range	0.14 – 2.0 bar
Differential	0.5 bar
Tolerance	+/- 0.14 bar
Max Over Pressure	12 bar
Diaphragm Material	Stainless Steel
Electrical Rating	5A 24V d.c. Resistive
	2A 24V d.c. Inductive
Switch	SPDT
	3 x 6.35 Faston Tabs
Max Body Temperature	120 °C
Acceleration	Up to 8G
IP Rating	IP65
Max Tightening Torque	60Nm
Mass	120g (Approx.)



Optional Features

- Internal Earth (Earth Return)
- IP68 Variants with M4 Screw terminals
- Rubber Boot and Flying Leads DCA/PA/54/3

01/05

Thread	
1/8 BSPF	F
1/4 BSPF	C
3/8 BSPF	B
1/2 BSPF	A
1/8 BSPT	R
1/4 BSPT	S
1/8 NPTF	G
1/4 NPTF	H
3/8 NPTF	E
1/2 NPTF	D
3/8 Whitworth	P
5/8 x 18 UNF	N
3/4 x 16 UNF	K
M10 X1.0	M
M12 X1.5	Q
M14 x 1.5	J
M16 x 1.5	U
M18 x 1.5	L
M22 x 1.5	V

Ordering Information

Pressure Set Point kPa

Special Features	
B	Common Earth Return
C	No 1 Terminal on Switch Removed
J	Common Terminal at 135°
K	No 2 Terminal on Switch Removed
N	Sealed Unit to IP68
V	Electrical Connections by M4 Screws (x3)
X	Setting Screw Unsealed Set as Specified
Y	Electrical Connections by 6.25mm Male Spade Terminals
2	Set on falling

DCA / B * / * * * / *