

Sensors

Electronic Pressure Sensor (EPS)

General Description

Sensors for electronically controlled safety functions are the eyes, ears and the antenna of a modern-day high-tech vehicle. Our innovative sensors are helping customers meet increasing global performance requirements and demanding emissions regulations. Continental active pressure sensor with voltage output are used to measure pressure of gaseous and liquid media in a variety of applications at various locations.

Application

Depending on used sealing material, the electronic pressure sensor has a high resistance to many aggressive media and is suitable for use also in ranges of application like off-/on-road vehicles, special vehicles, machines used in construction, agriculture and forestry, stationary machines, sports cars and boats .

Operating Principle

Pressure sensor unit based on stainless steel sensing element and converts fluctuations of measuring medium into a pressure-proportional electrical output signal (0.5 V ... 4.5V).

Key Features

- Successor of current Electro Mechanical Pressure Sensors (EMPS)
- Direct pressure measurement
- Media: engine, gear, hydraulic oil pressure, air
- Modular assembly
- Customised pressure ports*
- Customised pressure ranges*

(* Customising dependent on customer annual volume)

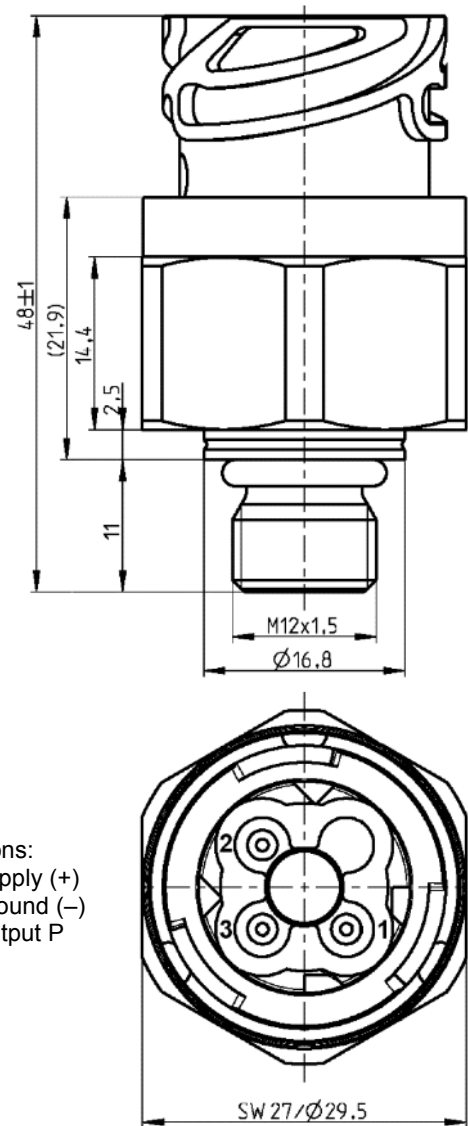


* This Product Basic Information provides general information about products which are not or not yet fixed within the product portfolio but are available in principle. It is used to give the first introduction of a product which is generally available, independent from afterwards determination of the product. Design and functionality of this general information can differ and can be gathered from the corresponding product specifications in case of a assumption of the product into the product portfolio. The reproduction, distribution and utilization of this document as well as the communication of its contents to others without express authorization is prohibited. Offenders will be held liable for the payment of damages. All right reserved in the event of the grant of a patent, utility model or design.

Technical Specification

| Electrical Characteristics | |
|----------------------------|--|
| Pressure Range | 0 bar ... 100 bar (Al-fitting, crimped connection PSM-to-fitting) |
| Option Pressure Range | 100 bar ... 600 bar (Stainless steel fitting, welded PSM-to-fitting) |
| Medium | Air, engine oil, gear oil Depending on annual volume further media resistances feasible |
| Supply Voltage (Vs) | 8 VDC to 32 VDC |
| Option Supply Voltage (Vs) | 5 VDC |
| Output Signal | 0.5 V ... 4.5 V |
| Temperature Range | - 40 °C to +125 °C |
| Environmental protection | IP 6K9K |
| Electrical Connector Type | Bayonet according to ISO15170 (formerly DIN 72585) |

| Mechanical Characteristics | |
|----------------------------|--|
| Weight | ~ 50 g (Aluminium Sensor body) > 50 g (Stainless Steel) |
| Protection class | IP6K7 (open) IP6K9 (with mating connector) |
| Threaded port | Fixed with threaded port M12x1.5 Depending on annual volume further threaded ports feasible |
| Tightening Torque | Depending on threaded port size and sensor body material |



Continental Trading GmbH
 Sodener Straße 9
 65824 Schwalbach
 Germany
 TEL. +49-6196-87-0
 FAX +49-6196-87-86571
industrial@vdo.com

Connections:
 Pin 1: Supply (+)
 Pin 2: Ground (-)
 Pin 3: Output P

* This Product Basic Information provides general information about products which are not or not yet fixed within the product portfolio but are available in principle. It is used to give the first introduction of a product which is generally available, independent from afterwards determination of the product. Design and functionality of this general information can differ and can be gathered from the corresponding product specifications in case of a assumption of the product into the product portfolio. The reproduction, distribution and utilization of this document as well as the communication of its contents to others without express authorization is prohibited. Offenders will be held liable for the payment of damages. All right reserved in the event of the grant of a patent, utility model or design.