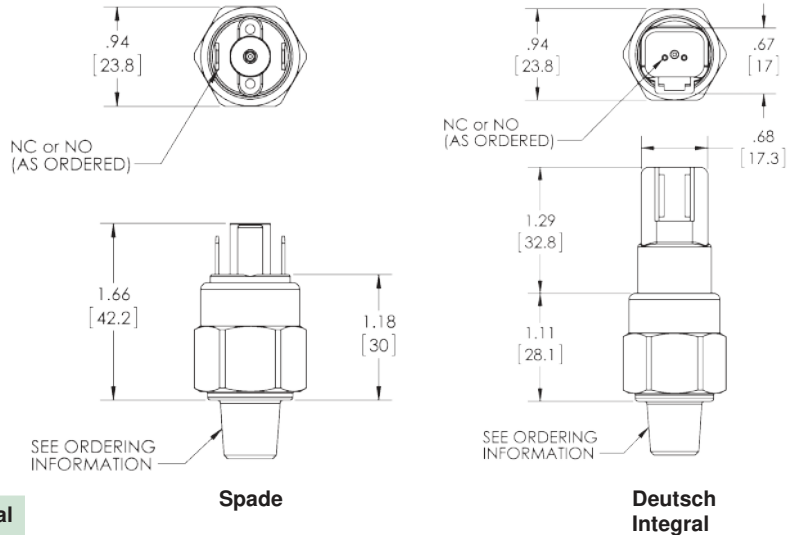


Sensors Inc.

EPA/EPF Pressure Switch



Model	Adjustment Range		Average Differential
	PSI	Bar	
1	5 - 300	.35 - 20	Less than 10% of Actuation Point
2	125 - 600	8 - 40	
3	300 - 2500	20 - 172	
4	1000 - 6000	69 - 414	
5	500 - 3500	35 - 241	

ELECTRICAL:

100 VA Max Voltage 42 VDC
Gold contacts may be required for less than 12 VDC and 20 milliamp

SWITCH TYPE:

Creep Action

TEMPERATURE RANGE:

Buna - N: 15° to +230°F (-10° to 110°C)
EPDM: -10° to +250°F (-23° to 121°C)
KAPTON®: -40° to +230°F (-40° to 110°C)
VITON®: 0° to +250°F (-18° to 121°C)
(® Registered Trademark of DuPont)

PROTECTION:

Exposed Terminals - IP00
Flying Leads & Deutsch Integral - IP69

REPEATABILITY:

± 3% of full set point range at 70°F (21°C)
Ambient Temperature

WETTED MATERIAL:

Diaphragm: Buna - N (Standard)
(optional EPDM, KAPTON®, and VITON®)

Housing: Trivalent Chromate Plated Steel
(optional Steel - Electroless Nickel Plated)
(optional 316 Stainless Steel)

MECHANICAL LIFE:

1,000,000 cycles

MAXIMUM OVERPRESSURE:

9000 PSI (620 Bar)

WEIGHT:

0.15 LBS
(0.07 kg)

ORDERING INFORMATION

EPA	- * 2	- * R	- 4M	- A	- FL	- * 1
Model	Set Point	Direction	Port Size	Circuit	Terminal	Options
EPA - Field Adjustable EPF - Factory Set	See Above Adjustment Ranges *Model EPF Specify Set Point Required	R - PSI Rising F - PSI Falling BR - Bar Rising BF - Bar Falling *Omit for Model EPA	2M - 1/8 NPT 4M - 1/4 NPT 4G - 1/4 BSPP 4S - 7/16X20 SAE MALE 6S - 9/16X18 SAE MALE M10 - M10X1 M12 - M12X1.5 Consult Factory for Specials.	A - SPST / NO B - SPST / NC	SP - 1/4 x 1/32 Spade TS - 6 -32 Terminal Screws DIFL - Deutsch Integral 18" Flying Leads DI - Deutsch Integral Consult Factory for Longer FL Leads.	* - Omit If Standard 1 - VITON® Diaphragm 2 - EPDM Diaphragm 3 - KAPTON® Diaphragm 4 - 316 SS Housing 4A - Steel - Electroless Nickel Plated 5 - Spiral Restrictor 6 - Oxygen Cleaned 7 - Gold Contacts