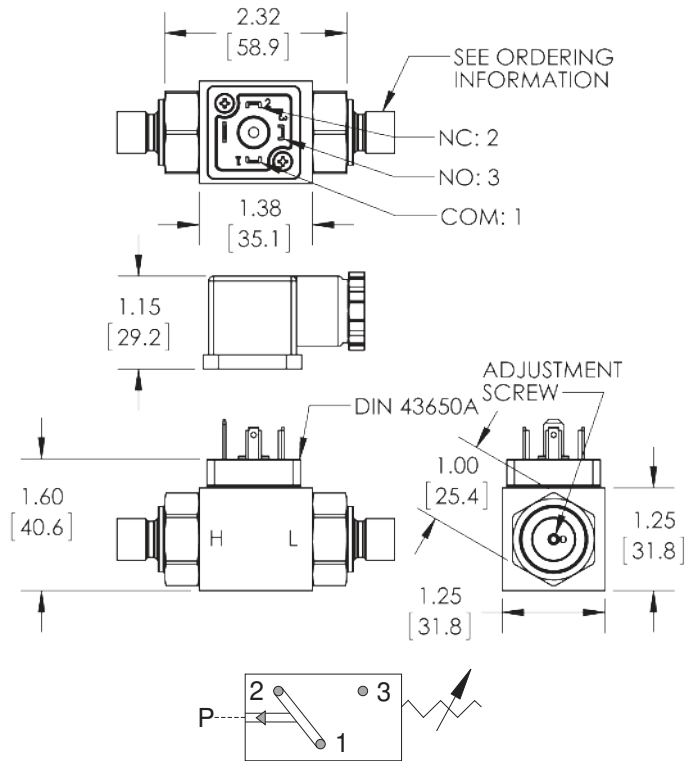


Sensors Inc.



Model	Adjustment Range		Average Differential	
	PSI	Bar	PSI	Bar
1	5 - 25	0.34 - 1.7	3 - 8	0.2 - 0.4
2	20 - 45	1.3 - 3	5 - 15	0.35 - 1
3	35 - 75	2.4 - 5	10 - 20	0.7 - 1.4

FDA/FDF Differential Switch



ELECTRICAL:

10 AMP - 12/24 VDC - 125/250 VAC
 Gold contacts may be required for less than 12 VDC and 20 milliamp
 SPDT - Standard Circuit

SWITCH TYPE:

Snap Action

TEMPERATURE RANGE:

Buna -N: 15° to +230°F (-10° to 110°C)
 EPDM: -10° to +250°F (-23° to 121°C)
 VITON®: 0° to +250°F (-18° to 121°C)
 (® Registered Trademark of DuPont)

PROTECTION:

IP65 except exposed terminals – IP00

REPEATABILITY:

± 2% of full set point range at 70°F (21°C) Ambient Temperature

WETTED MATERIAL:

Diaphragm: Buna-N (standard)
 (optional EPDM and VITON®)
 Ports: Trivalent Chromate Plated Steel
 (optional 316 Stainless Steel)
 (optional Brass)

MECHANICAL LIFE:

1,000,000 cycles

MAXIMUM OVERPRESSURE:

500 PSI (35 Bar)

HOUSING:

Aluminum AL2024 Anodized

WEIGHT:

0.40 LBS
 (0.18 kg)

ORDERING INFORMATION

FDA	- * 1	- 4M / 4M		- HC	- * 1
Model	Set Point	Port Size		Terminal	Options
FDA - Field Adjustable	See Above Adjustment Ranges	Hi Port	Low Port	H - DIN 43650A Male Half Only HC - DIN 43650A Cable Clamp HN - DIN 43650A 1/2 Conduit (female) HCC - XXX (Specify Length in Inches) HC11A - DIN Light NO/NC 110V HC11B - DIN Light NO/NC 12VDC HC11C - DIN Light NO/NC 24VDC HC11D - Indicating Light Green/Red	* - Omit If Standard 1 - VITON® Diaphragm 2 - EPDM Diaphragm 5 - Spiral Restrictor 6 - Oxygen Cleaned 7 - Gold Contacts 10 - Brass Port 10A - 316 Stainless Steel Port
FDF - Factory Set	*Model FDF Specify Set Point Required	4M - 1/4 NPT MALE 4G - 1/4 BSPP MALE 4S - 7/16X20 SAE MALE	4M - 1/4 NPT MALE 4G - 1/4 BSPP MALE		