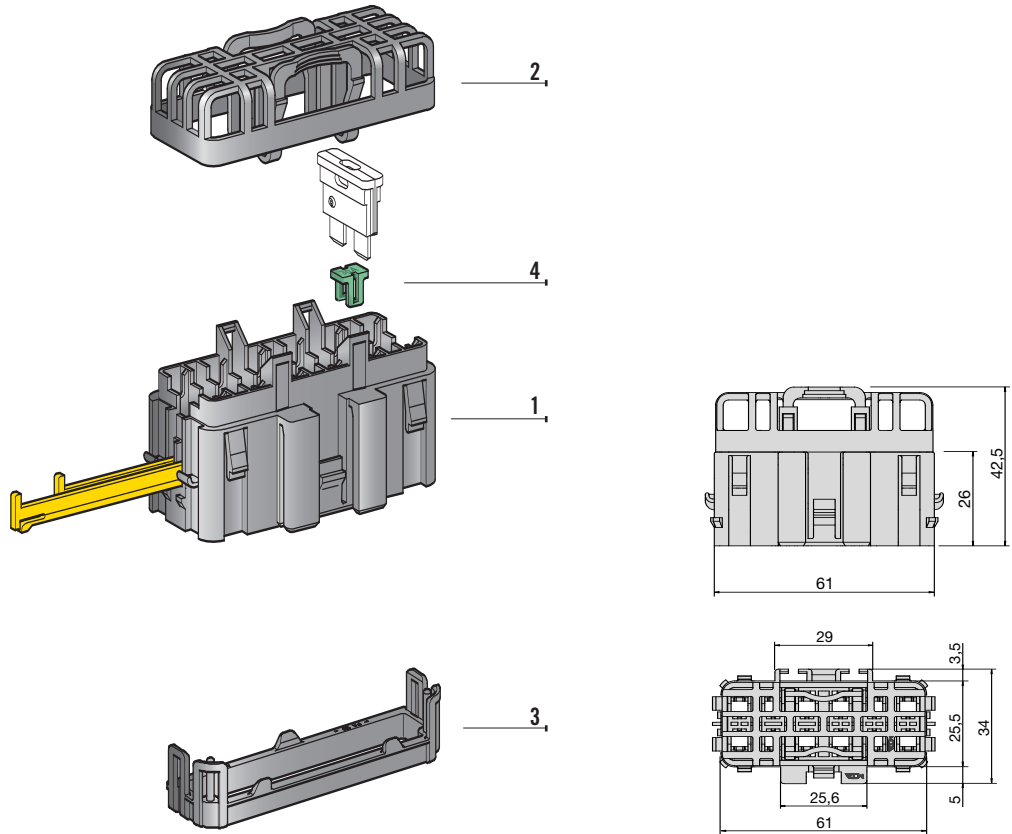


# 6-WAY U.P.L.

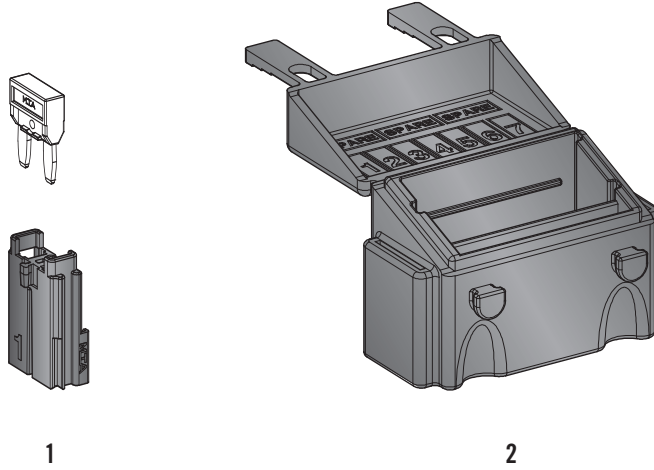


IMG	DESCRIPTION	WAY	MATERIAL	COLOUR		P/N KIT WITH TERMINALS	M.O.Q.	P/N BULK	M.O.Q.
1	HOUSING	6	PA66 GF25	■ Black				0303006	600
2	COVER		PA66 GF30	■ Black				0303009	600
3	WIRE'S COVER		PA66	■ Black				0303008	1200
4	IDENTIFICATION INSERT	3 AMP	PBT GF20	■ Violet				0303003	500
	IDENTIFICATION INSERT	5 AMP	PBT GF20	■ Beige				0303005	500
	IDENTIFICATION INSERT	7,5 AMP	PBT GF20	■ Brown				0303007	500
	IDENTIFICATION INSERT	10 AMP	PBT GF20	■ Red				0303010	500
	IDENTIFICATION INSERT	15 AMP	PBT GF20	■ Blue				0303015	500
	IDENTIFICATION INSERT	20 AMP	PBT GF20	■ Yellow				0303020	500
	IDENTIFICATION INSERT	25 AMP	PBT GF20	■ White				0303025	500
	IDENTIFICATION INSERT	30 AMP	PBT GF20	■ Green				0303030	500
	KIT WITH COVER AND TERMINALS					0103000	1		

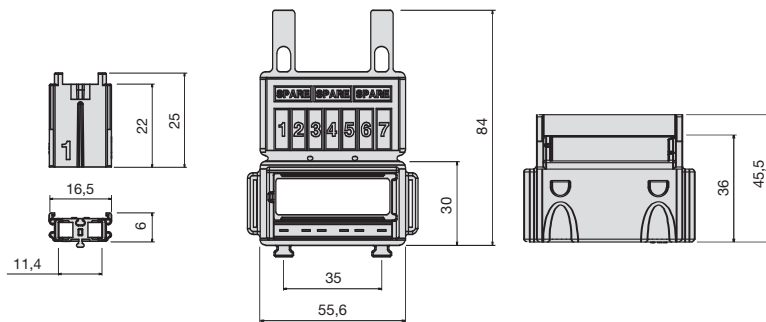
## CONNECTIONS AND FIXINGS



# SML



IMG	DESCRIPTION	WAY	MATERIAL	COLOUR	P/N KIT WITH TERMINALS	M.O.Q.	P/N	M.O.Q.
1	HOUSING	1	PA66 GF30	■Black			0301420	2800
2	MODULE FOR MINIVAL	7	EPDM-60	■Black			0301430	400
	MODULE FOR MINIVAL	7	EPDM-60-D15	■Black			0301431	400
	KIT WITH TERMINALS				0301435	1		

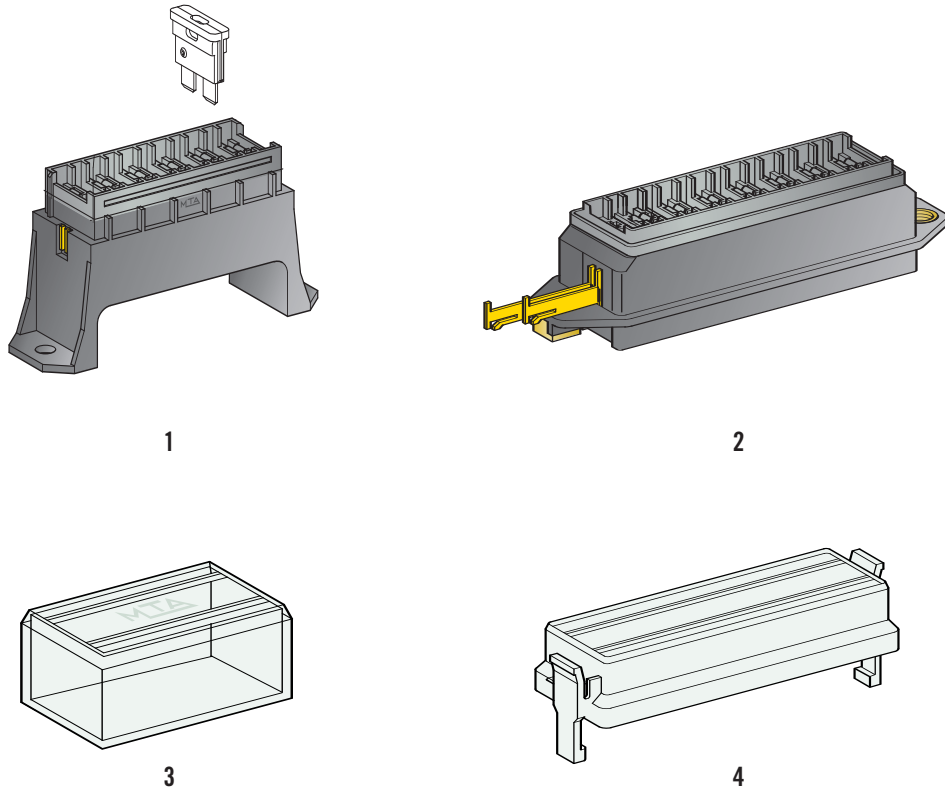


## CONNECTIONS AND FIXINGS

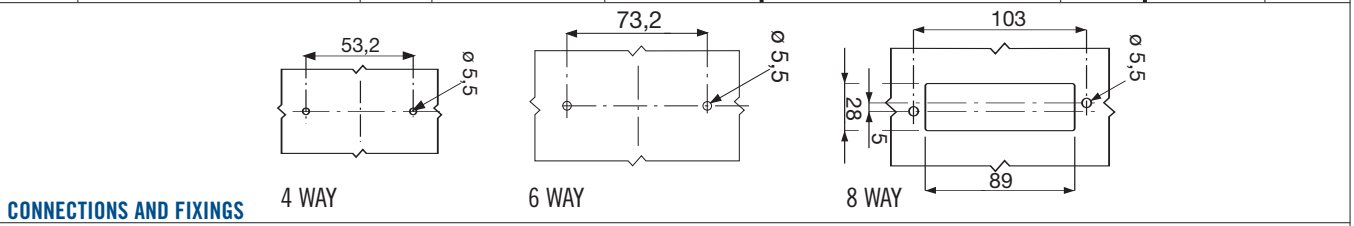


F280

# AXIAL EXITS



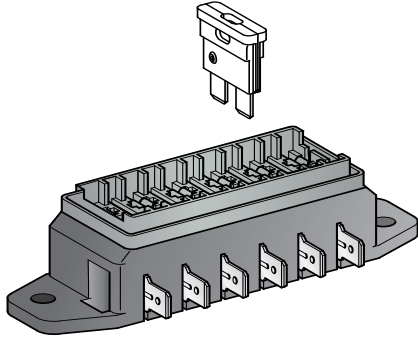
IMG	DESCRIPTION	WAY	MATERIAL	COLOUR	P/N KIT WITH COVER AND TERMINALS	M.O.Q.	P/N BULK	M.O.Q.
1	HOUSING WITH TERMINALS	4	PA66 GF30	■ Black	0100540	10	0300540	500
	HOUSING W/OUT TERMINALS	4	PA66 GF30	■ Black				
	HOUSING WITH TERMINALS	6	PA66 GF30	■ Black	0100560	10	0300560	500
	HOUSING W/OUT TERMINALS	6	PA66 GF30	■ Black				
2	HOUSING WITH TERMINALS	8	PA66 GF30	■ Black	0100580	10	0300580	300
	HOUSING W/OUT TERMINALS	8	PA66 GF30	■ Black				
3	COVER	4	PC	□ Natural			0300542	500
	COVER	6	PC	□ Natural				
4	COVER WITH GASKET	8	PA 12	□ Natural			0300582	150



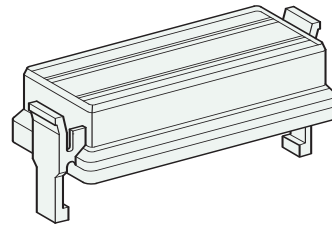
UNI F630      UNI F630

IMG	1+2	1+2
-----	-----	-----

# LATERAL EXITS

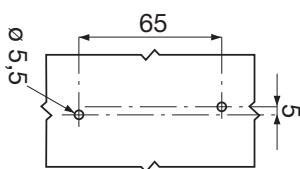


1

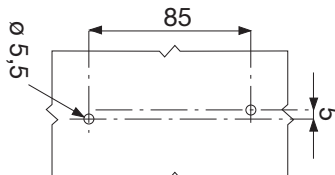


2

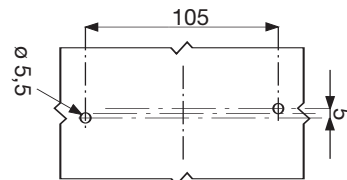
IMG	DESCRIPTION	WAY	MATERIAL	COLOUR	P/N KIT WITH COVER	M.O.Q.	P/N BULK	M.O.Q.
1	HOUSING WITH TERMINALS	4	PA66 GF30	■ Black	0100610	10	0300610	500
	HOUSING WITH TERMINALS	6	PA66 GF30	■ Black	0100600	10	0300600	400
	HOUSING WITH TERMINALS	8	PA66 GF30	■ Black	0100590	10	0300590	300
2	COVER WITH GASKET	4	PA12	□ Natural			0300612	500
	COVER WITH GASKET	6	PA12	□ Natural			0300602	400
	COVER WITH GASKET	8	PA12	□ Natural			0300582	150



4 WAY

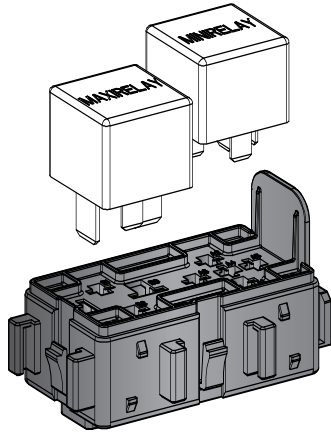


6 WAY

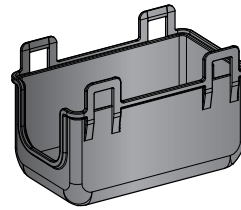


8 WAY

# RELAY HOLDER

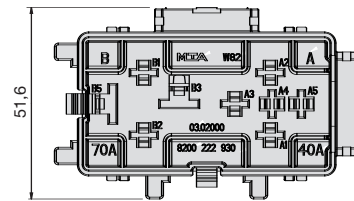
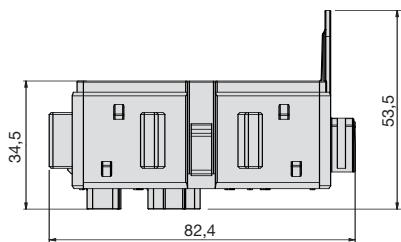


1



2

IMG	DESCRIPTION	WAY	MATERIAL	COLOUR	P/N BOX	M.O.Q.	P/N BULK	M.O.Q.
1	HOLDER FOR MAXI AND MINI RELAY	2	PBT GF20	■ Black	0102000	1	0302000	240
2	UPPER AND BOTTOM COVER		PP	■ Black	0102001	1	0302001	240



## CONNECTIONS AND FIXINGS



L-TYPE F950



NG1 6,3