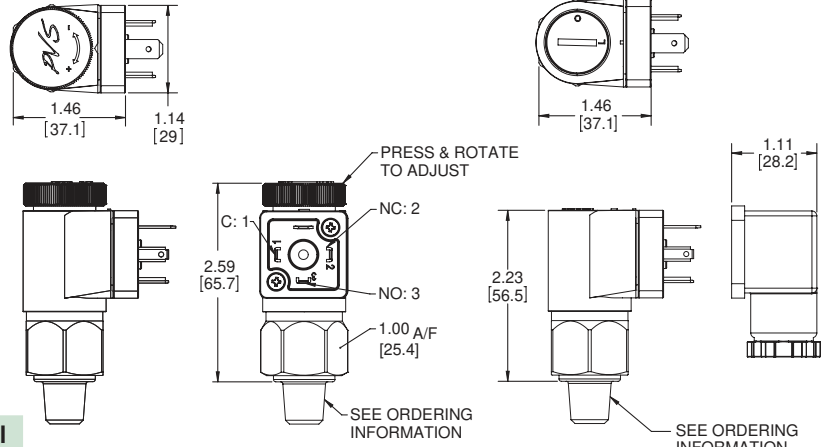


HAA/WAA Pressure Switch

Adjustable Low Pressure



Model	Adjustment Range		Average Differential	
	PSI	Bar	PSI	Bar
1	3 - 20	0.2 - 1.4	2 - 5	0.13 - 0.4
2	15 - 80	1.03 - 6	4 - 7	0.27 - 0.5
3	40 - 135	2.7 - 9.3	7 - 10	0.5 - 0.7

ELECTRICAL:

Standard: 3A, 125VAC - U.L. Recognized*
 Option -7: 0.2A, 60VDC - U.L. Recognized*
 Option -9: 5A, 250VAC - U.L. Recognized*

MANUFACTURER'S OTHER RATING:

3A @ 40VDC

SWITCH TYPE:

Snap Action

TEMPERATURE RANGE:

Buna - N: 15° to +230°F (-10° to 110°C)
 EPDM: -10° to +250°F (-23° to 121°C)
 KAPTON®: -40° to +230°F (-40° to 110°C)
 VITON®: 0° to +250°F (-18° to 121°C)
 (® Registered Trademark of DuPont)

PROTECTION:

IP65 except exposed terminals - IP00

REPEATABILITY:

± 2% of full set point range at 70°F (21°C)
 Ambient Temperature

WETTED MATERIAL:

Diaphragm: Buna-N (Standard)
 (optional EPDM, KAPTON®, and VITON®)
 Housing: Brass
 (optional 316 Stainless Steel)

MECHANICAL LIFE:

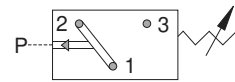
1,000,000 cycles

MAXIMUM OVERPRESSURE:

350 PSI (24 Bar)

WEIGHT:

0.15 LBS
 (0.07 kg)



ORDERING INFORMATION

HAA	- 2	- 4M	- C	- H	- * 1
Model	Set Point	Port Size	Circuit	Terminal	Options
HAA - Hand Adjustable	See Above Adjustment Ranges	2M - 1/8 NPT 4M - 1/4 NPT 2G - 1/8 BSPP 4G - 1/4 BSPP	A - SPST / NO B - SPST / NC C - SPDT	H - DIN 43650A Male Half Only HC - DIN 43650A Cable Clamp HN - DIN 43650A 1/2 Conduit (female) HCC - XXX (Specify Length in Inches) HC11A - DIN Light NO/NC 110V HC11B - DIN Light NO/NC 12VDC HC11C - DIN Light NO/NC 24VDC HC11D - Indicating Light Green/Red	* - Omit If Standard 1 - VITON® Diaphragm 2 - EPDM Diaphragm 3 - KAPTON® Diaphragm 4 - 316 SS Housing 5 - Spiral Restrictor 6 - Oxygen Cleaned 7 - Gold Contacts 9 - 5 AMP Rating UL - UL Recognized** **For Selected Models Only - Consult Factory
WAA - Field Adjustable		4S - 7/16 X 20 SAE MALE 4SW - 7/16 x 20 SAE Swivel 6S - 9/16 X 18 SAE MALE M10 - M10X1 M12 - M12X1.5			
		Consult Factory for Specials.			