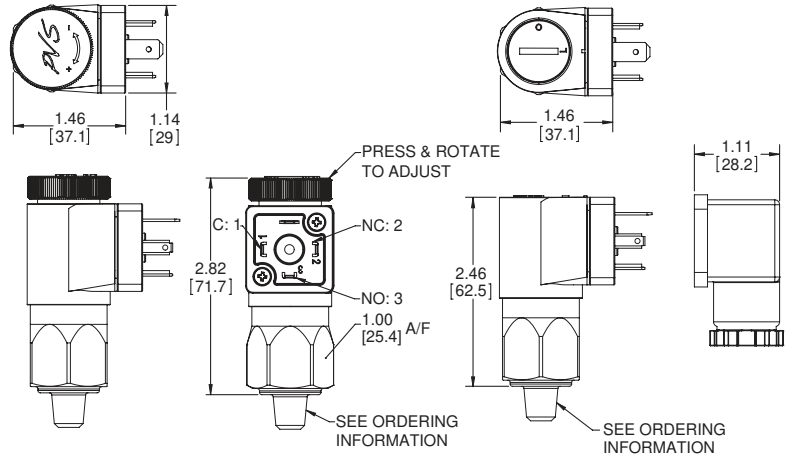


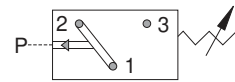
HBA/WBA Pressure Switch

Adjustable High Pressure



Model HBA

Model WBA



Model	Adjustment Range		Average Differential	
	PSI	Bar	PSI	Bar
1	5 - 300	.35 - 20	2 - 30	0.14 - 2.0
2	125 - 600	8 - 40	20 - 60	1.3 - 4.0
3	300 - 2500	20 - 172	50 - 300	3.2 - 20
4	1000 - 6000	69 - 414	150 - 600	10 - 41
5	500 - 3500	35 - 241	75 - 300	5 - 24

ELECTRICAL:	PROTECTION:	MECHANICAL LIFE:
Standard: 3A, 125VAC - U.L. Recognized* Option -7: 0.2A, 60VDC - U.L. Recognized* Option -9: 5A, 250VAC - U.L. Recognized*	IP65 except exposed terminals – IP00	1,000,000 cycles
MANUFACTURER'S OTHER RATING:	REPEATABILITY:	MAXIMUM OVERPRESSURE:
3A @ 40VDC	± 2% of full set point range at 70°F (21°C) Ambient Temperature	9000 PSI (620 Bar)
SWITCH TYPE:	WETTED MATERIAL:	WEIGHT:
Snap Action	Diaphragm: Buna-N (Standard) (optional EPDM, KAPTON®, and VITON®)	0.2 LBS (0.09 kg)
TEMPERATURE RANGE:	Housing:	
Buna – N: 15° to +230°F (-10° to 110°C) EPDM: -10° to +250°F (-23° to 121°C) KAPTON®: -40° to +230°F (-40° to 110°C) VITON®: 0° to +250°F (-18° to 121°C) (® Registered Trademark of DuPont)	Trivalent Chromate Plated Steel (optional 316 Stainless Steel)	

ORDERING INFORMATION

HBA	- 2	- 4M	- C	- H	- * 1
Model	Set Point	Port Size	Circuit	Terminal	Options
HBA - Hand Adjustable	See Above Adjustment Ranges	2M - 1/8 NPT 4M - 1/4 NPT 2G - 1/8 BSPP 4G - 1/4 BSPP	A - SPST / NO B - SPST / NC C - SPDT	C - 18" Cable H - DIN 43650A Male Half Only HC - DIN 43650A Cable Clamp HN - DIN 43650A 1/2 Conduit (female) HCC - XXX (Specify Length in Inches) HC11A - DIN Light NO/NC 110V HC11B - DIN Light NO/NC 12VDC HC11C - DIN Light NO/NC 24VDC HC11D - Indicating Light Green/Red	* - Omit If Standard 1 - VITON® Diaphragm 2 - EPDM Diaphragm 3 - KAPTON® Diaphragm 4 - 316 SS Housing 5 - Spiral Restrictor 6 - Oxygen Cleaned 7 - Gold Contacts 9 - 5 AMP Rating UL - UL Recognized** **For Selected Models Only - Consult Factory
WBA - Field Adjustable		4S - 7/16 X 20 SAE MALE 4SW - 7/16 x 20 SAE Swivel 6S - 9/16 X 18 SAE MALE M10 - M10X1 M12 - M12X1.5 <i>Consult Factory for Specials</i>			