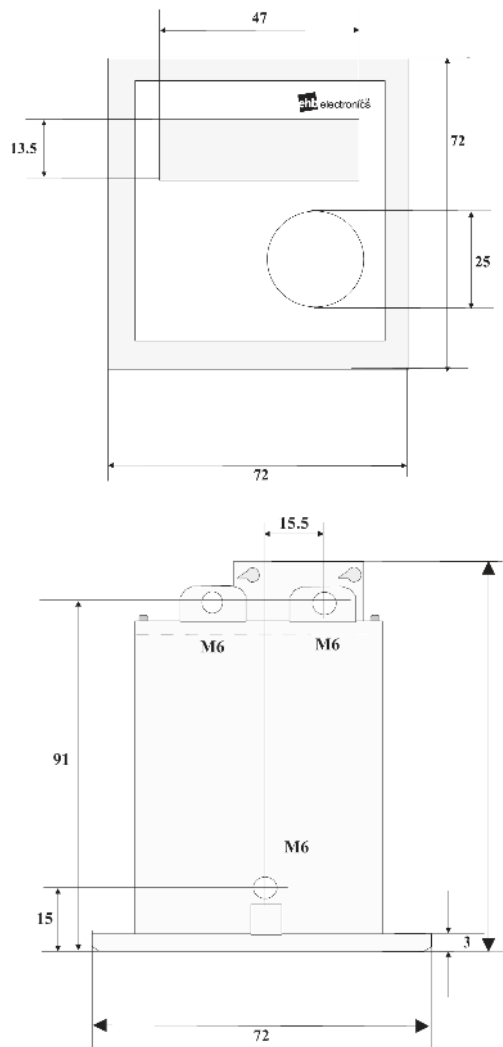




## HMCflex

- Application**
- Drilling machinery
  - Wood chippers and Crushers
- Utility vehicles
  - Specialized machinery



- Features**
- Two line alpha-numeric display
  - Configurable feed and return stroke functionally
  - Manual control of feed and return stroke
  - Chipper automatic
  - 6-channel engine monitoring, e.g. oil pressure, temperature, speed etc.
  - Hour meter (total/daily)
  - Speed monitoring
  - Active and passive failure storage which holds messages with reports of the last 20 failure modes
  - Five high power outputs
  - Mechanical restarted unintentionally
  - Adjustable preheat, after glow and glow while starting time, temperature or time controlled
  - Two colors fault indicator
  - Configurable parameters in text messages (code protected)
  - Protection class IP 67
  - Two year warranty



## Technical Data

### Inputs

Oil pressure adjustable for analogue switch/sender  
 Temperature adjustable for analogue switch/sender  
 Auxiliary e.g. air filter, V-belt etc  
 External stop  
 Alternator D+  
 Terminal „W“, sensor or magnetic pickup

### Outputs

Fuel solenoid, ETR/ETS, pull coil, 20 A (40A max. 2 s)  
 Fuel solenoid, ETR/ETS, hold coil 3 A (max. 3,5 A 2 s)  
 Preheat, 2 x 35 A (max. 2 x 55 A 2 s)  
 Starter, 20 A (max. 40 A 2 s)  
 Feed roller, 20 (max. 40 A 2 s) A  
 Backstroke, 3 A (max. 3,5 A 2 s)

### Interfaces

Analogue  
 CAN 2.0 B

### Electrical Data

Operation voltage 6 to 32 V  
 Current consumption ca. 30 mA  
 Voltage peak UB 2 ms, 200 V  
 Interference voltage UB 6Vss, 50 Hz  
 Short circuit protection  
 Reverse voltage protection

### Mechanical Data

Connection Deutsch (HDP24-24-19PE)  
 Dimensions 72 x 72 mm,  
 Mounting dimension 66 x 66mm  
 Glass fibre reinforced plastic housing  
 Temperature range: -20 bis +85° C  
 Sealing class IP 67  
 Weight: 340 g

### Accessoires

Deutsch plug kit	ehb1469
Connection cable 3m	ehb2268
PC/CAN Starter Kit	ehb5378