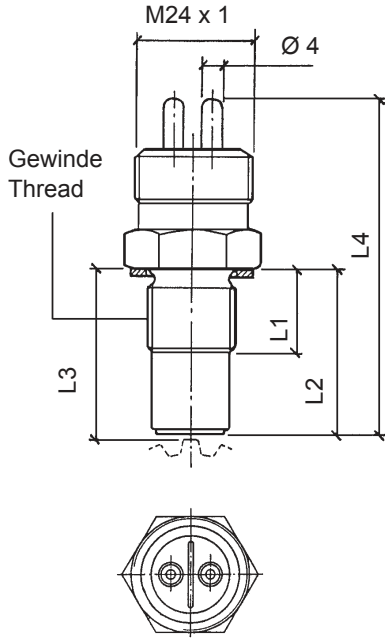


Induktivsensoren

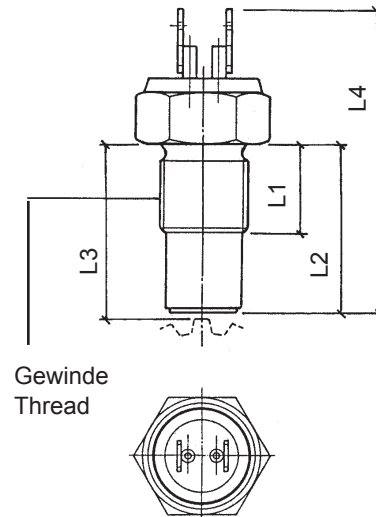
Inductive Sensors

A Spezial-Steckanschluss
Special push-on connector
(Kostal)

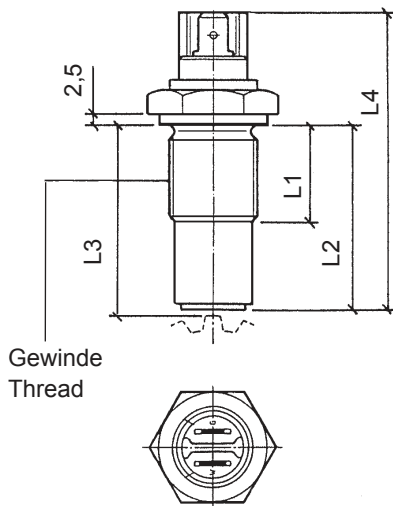


B

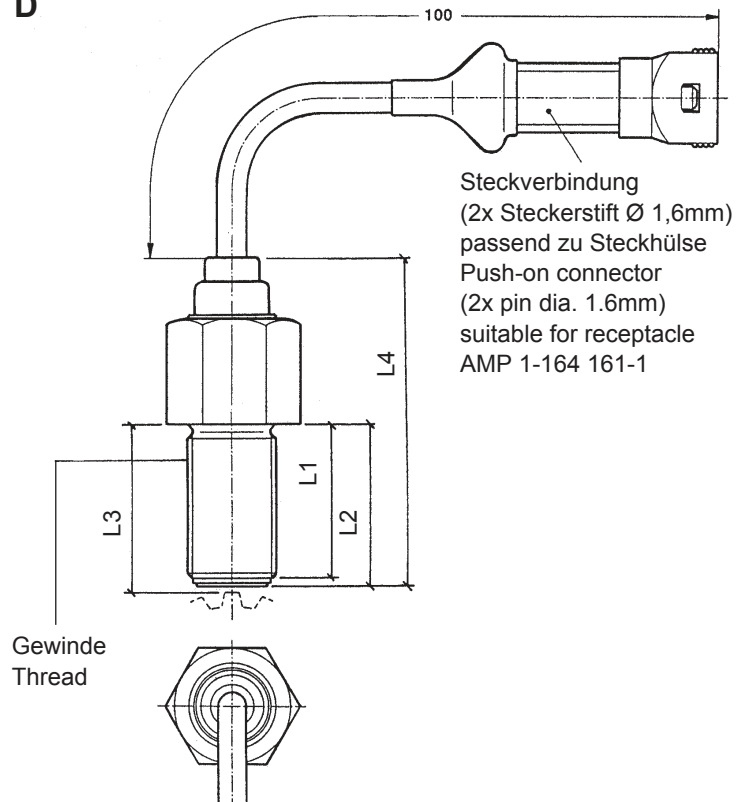
2x
Flachstecker / Blade
connector 6,3 x 0,8mm



C1 Flachstecker/Blade connector
G = 6,3 x 0,8mm
W = 6,3 x 0,8mm
C2 Flachstecker/Blade connector
G = 4,8 x 0,8mm
W = 6,3 x 0,8mm



D



Induktivsensoren

Inductive Sensors

Technische Daten:

Elektrischer Anschluss: 2polig
 spannungsunabhängig
 Betriebstemperatur: – 25°C bis + 140°C
 Innenwiderstand Ri: 1050 Ω ± 100 Ω

Prüfbedingungen:

Zahnrad: 36 Zähne
 Modul: 2,75
 Drehzahl: 416,6min⁻¹
 Frequenz: 250Hz
 Zahnbreite: 7,5mm
 Belastung: 47kΩ
 Zahnrad mittig sitzend

Technical Data:

Electrical connection: 2-pole
 independent voltage
 Operating temperature: – 25°C to + 140°C
 Interior resistance Ri: 1050 Ω ± 100 Ω

Test conditions:

Gear: 36 teeth
 Modul: 2.75
 Rotational speed: 416.6min⁻¹
 Frequency: 250Hz
 Toothed width: 7.5mm
 Charge: 47kΩ
 Gear seated in center

Artikelnummer Order Number	Gewinde Thread	Länge [mm] Length [mm]				Form Design	min. [°C]	RI [Ω]
		L1	L2	L3	L4			
340-804-005-007C	M18 x 1.5	15	35	36.1 ± 0.1	71.5	A	-25	1,050
340-804-005-001C	M18 x 1.5	18	35	36.15–35.80	71.5	A	-30	1,050
340-804-005-012A ★	M18 x 1.5 ¹	18	31.4	32.63–32.20	67.9	A	-30	1,050
340-804-005-013A	M18 x 1.5 ¹	18	71.4	72.63–72.20	107.9	A	-30	1,050
340-804-005-015C	M18 x 1.5	18	99.1	101.15–100.55	135.6	A	-30	1,050
340-804-005-016C ★	M18 x 1.5 ¹	18	37.3	38.45–38.10	73.8	A	-30	1,050
340-804-005-018C	M18 x 1.5 ¹	18	45.7	46.95–46.45	82.2	A	-30	1,050
340-804-005-020C	M18 x 1.5 ¹	18	37.3	38.45–38.1	73.8	A	-30	1,050
340-804-006-002C	M18 x 1.5	18	35	36.1 ± 0.1	63.5	B	-30	1,050
340-804-007-019C	M18 x 1.5 ^{8,9}	18.2	70.7	71.8 ± 0.1	79.7	C2	-25	1,050
340-804-030-006B	M18 x 1.5	18.2	70.7	71.8 ± 0.1	93.5	D	-25	1,050
340-804-007-020C	M18 x 1.5 ^{8,9}	20	39	40.1 ± 0.1	62	C2	-25	1,050
340-804-030-005B	M18 x 1.5	23.3	25	26.1 ± 0.1	67	D	-25	1,050
340-804-005-002C	M18 x 1.5	24.9	26.5	27.65–27.30	63	A	-30	1,050
340-804-005-028C	M18 x 1.5	24.9	63.4	64.55–64.20	99.9	A	-30	1,050
340-804-005-033C	M18 x 1.5	24.9	26.5	27.5 ^{+0.15} _{-0.2}	63	A	-30	1,050
340-804-007-002A	M18 x 1.5	27.5	28.5	29.6 ± 0.1	70	C1	-25	1,050
340-804-007-004C	3/4" - 16 UNF-2A8	27.5	28.5	29.6 ± 0.1	70	C1	-25	1,050
340-804-007-013C	M18 x 1.5 ⁸	27.5	28.5	29.6 ± 0.1	70	C1	-25	1,050
340-804-006-007C	M18 x 1.5	33	34	35.1 ± 0.1	62	B	-30	1,050
340-804-007-001C	M18 x 1.5 ⁹	33	34	35.1 ± 0.1	70	C1	-25	1,050
340-804-007-003C	M18 x 1.5	33	34	35.1 ± 0.1	64.5	B	-25	1,050
340-804-007-011C/G	M18 x 1.5	33	34	35.1 ± 0.1	70	C1	-25	1,050

¹ mit Dichtungsscheibe, unverlierbar / with sealing washer, captive
⁸ mit Ansatz / with collar
⁹ mit Sechskantmutter / with hexagonal nut M18 x 1.5

★ Auslauf, bitte Verfügbarkeit prüfen. / Phase out, please check availability.