



MC 704

MC704 offers a multitude of functions for the monitoring of mechanically-controlled engines.

APPLICATIONS

Diesel engines in applications
for industry

Communal vehicles

Agricultural machines

Construction machinery

Special-purpose vehicles
and machines

Rugged and inexpensive solution for use in harsh conditions

High machine availability at minimal investments for controller and engine protection.

Protection of the connected engines from damage

Faults in the engine are reliably detected and displayed. The engine is stopped in a controlled manner before the fault can cause severe engine damage.

Anodised aluminium housing.

Secure installation with retainer or rubber-metal mounts bolted from the rear

Fast installation and retrofit.

Dependable functioning even in harsh environments.

Pre-heat and after-glow function, time- or temperature-controlled

Reliable starting process, even at very low temperatures.

Reduced smoke generation.

Ignition starter switch with integrated starter safeguard lock

No external ignition starter switch required.

Mechanical protection of the starter against damage.

Operating hours counter

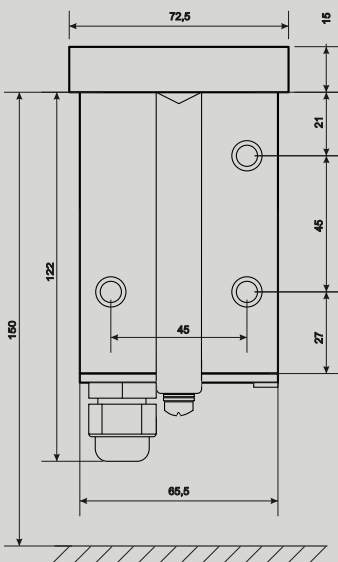
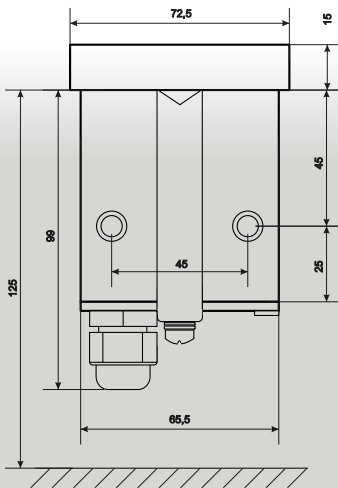
Reliable information about engine running times and required servicing.

Customised adaptations

Optimal and inexpensive controller, adapted for your specific needs and functions.

MC704 TECHNICAL DATA

ehb4393 (MC704-H), ehb4752 (MC704-HG),
ehb4315 (MC704-LC), ehb5335 (MC704-HP),
ehb5084 (MC704-HP-PMT3)



Electrical data

Voltage range	6 – 36V (typ. 12 – 24V)
Interference	14 – 28V (6Vss, 50Hz on UB)
Voltage peaks	200V (2ms on UB)
Power consumption	12 – 200mA (in UB 8 – 24V)
Operating temperature	-40°C to +85°C
Storage temperature	-50°C to +85°C
Inputs	Oil pressure switch Temperature switch Generator / D+ Miscellaneous (air filter, V-belt, etc.) External Stop (push-button) (not ehb5084) External Stop (emergency-stop) (ehb5084) Terminal W (ehb5084)
Outputs	Magnet (ETR or ETS) max. 3.5A max. 20A (ehb5335) max. 40A (ehb5084) Pre-heat max. 3.5A (ehb4752) max. 40A (ehb5084) Signal max. 3.5A (ehb4393 and ehb4315) max. 40A (ehb5084) Starter max. 25A max. 40A with monitoring (ehb5084)
Operating hours counter	Integrated (not with ehb 4315)

Visualisation (except for ehb4315)

Display type	6 characters, 5mm, LCD B/W display
--------------	------------------------------------

Mechanical data

Housing dimensions (W x H)	72.5 x 72.5 mm
Installed dimensions (W x H x D)	72.5 x 72.5 x 125 mm, 72.5 x 72.5 x 150 mm (ehb5084)
Installation cut-out (W x H)	66 x 66 mm
Housing material	Aluminium, black anodised
Weight	490g
Installation	Rubber-metal mounts or retainer
Degree of protection	IP54
Connection	In the device, cable feed via cable gland

Test standard

Humidity	DIN EN 60068-2-3
Vibration	DIN EN 60068-2-6
Impact	DIN EN 60068-2-27
CE marking	according to Directive 2014/30/EU

