

Features

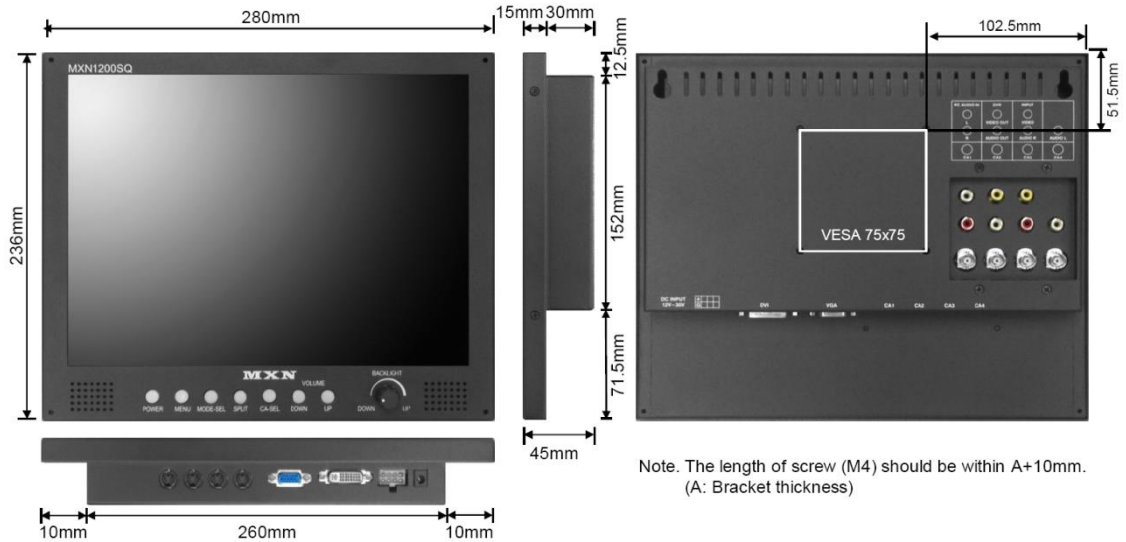
- High Resolution 12" Digital TFT LCD Monitor
- Metal Case Housing
- Free Input Voltage (DC 12V ~ 30V)
- Suitable for desk-mount, flush-mount or wall-mount
- PAL/NTSC compatible
- 4 Camera inputs: 4-pin mini DIN or BNC connector
- 5 Trigger inputs
- 1 A/V input (RCA)
- 1 A/V output (RCA)
- DVI input
- RGB input (VGA)
- Various Display Modes: Single / Split / Triple / Quad
- On Screen Display (OSD)
- Built-in Speakers
- User-friendly Backlight Dimmer control
- Illuminated control buttons



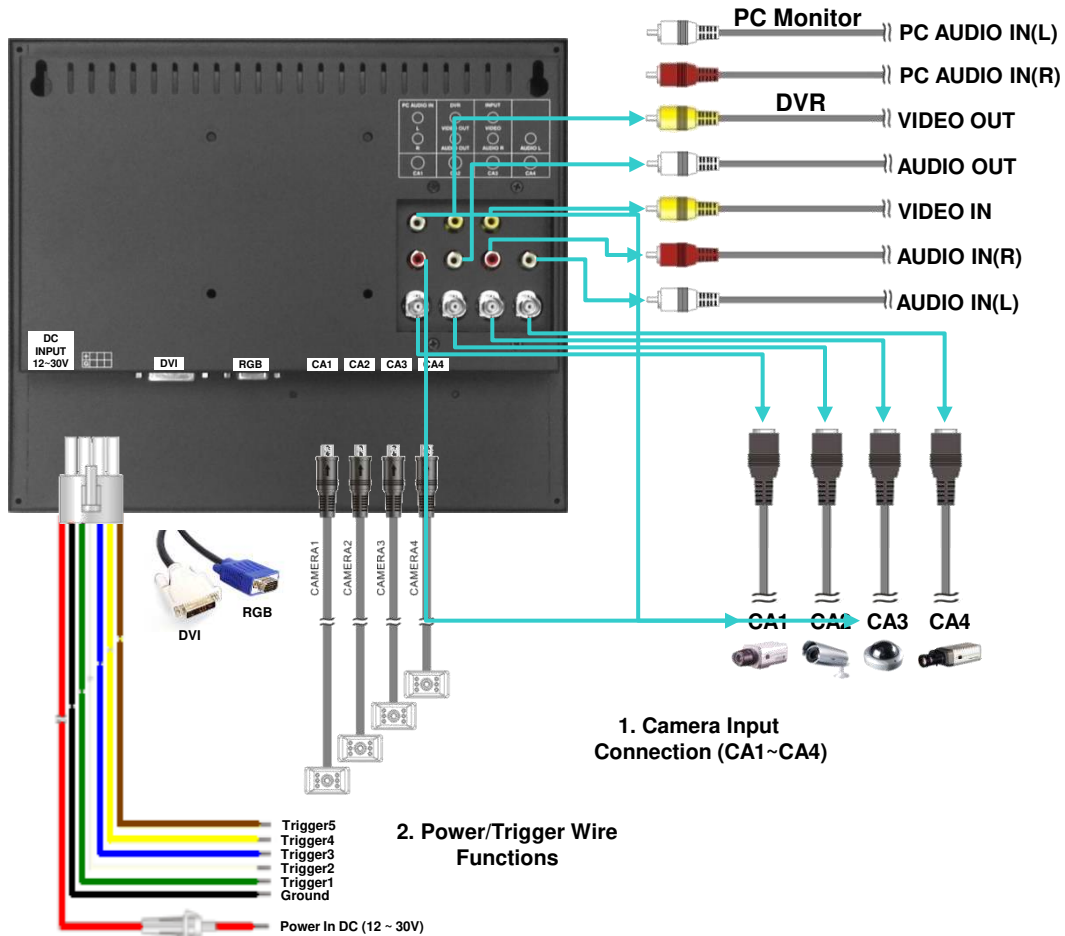
◆ Specifications

| | |
|-----------------------|---|
| Screen Size | 12 inch / 30.7 cm |
| Aspect Ratio | 4:3 |
| Resolution | Digital TFT LCD 1024 x 768 |
| Viewing Angle | Left: 80°, Right: 80°, Up: 70°, Down: 70° |
| Video System | PAL / NTSC |
| Brightness | 500 cd/m ² |
| Contrast Ratio | 700:1 |
| Backlight Dimmer | Adjustable from 100% ~ 0% (by manual turning knob) |
| Power Input | DC 12V ~ 30V Input |
| Power Consumption | Max. 20watt |
| Speaker | 8ohm/2watt (L/R) |
| Connector | - 4 Camera Inputs: 4-pin mini DIN or BNC connector - 1 A/V Input: RCA - DVI Input - RGB Input - 1 A/V Output: RCA (DVR) |
| Operating Temperature | 0 ~ 60°C |
| Dimensions Housing | 280(W) x 236(H) x 45(D)mm |
| Weight | 1.8 kg |
| Accessories | - Power cable (8-pin Molex connector) - Cable reinforcement bracket - AC/DC power adapter - AC power cord |

Dimensions

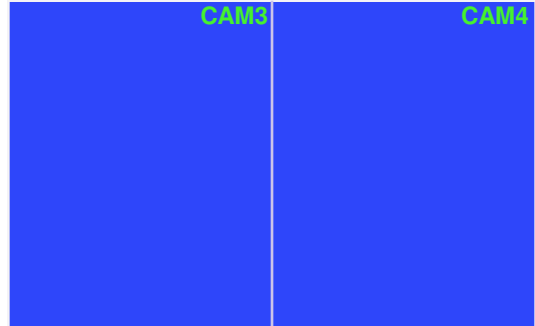
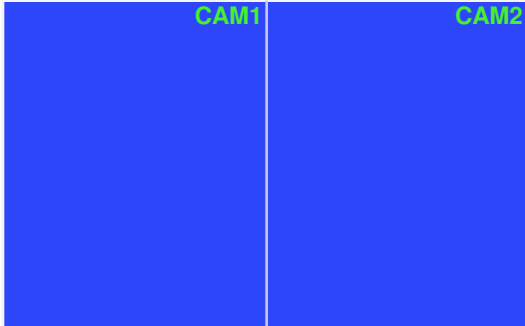


Connection



Display modes

2SPLIT



3SPLIT



4SPLIT(QUAD)

