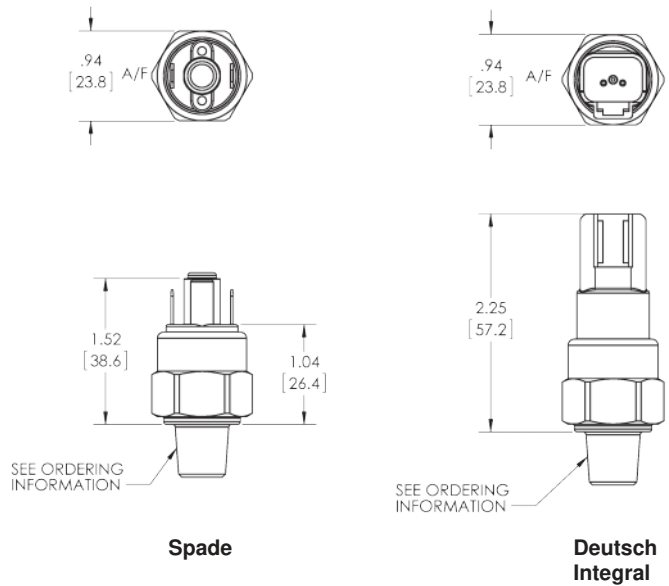


Sensors Inc.

# PMA/PMF Pressure Switch



Color coded top cap for identification of the switch circuit.  
A - RED, SPST / NO B - GREEN, SPST / NC

Model	Adjustment Range		Average Differential
	PSI	Bar	
1	2 - 10	0.15 - 0.7	Less than 5% of Actuation Point
2	7 - 25	0.5 - 1.7	
3	20 - 60	1.4 - 4	
4	50 - 150	3.5 - 10	

<b>ELECTRICAL:</b> 100 VA Max Voltage 42 VDC Gold contacts may be required for less than 12 VDC and 20 milliamp	<b>PROTECTION:</b> IP69 except exposed terminals – IP00	<b>MECHANICAL LIFE:</b> 1,000,000 cycles
<b>SWITCH TYPE:</b> Creep Action	<b>REPEATABILITY:</b> ± 2% of full set point range at 70°F (21°C) Ambient Temperature	<b>MAXIMUM OVERPRESSURE:</b> 350 PSI (24 Bar)
<b>TEMPERATURE RANGE:</b> Buna – N: 15° to +230°F (-10° to 110°C) EPDM: -10° to +250°F (-23° to 121°C) KAPTON®: -40° to +230°F (-40° to 110°C) VITON®: 0° to +250°F (-18° to 121°C) (® Registered Trademark of DuPont)	<b>WETTED MATERIAL:</b> Diaphragm: KAPTON® (optional EPDM and VITON®) Housing: Brass (optional 316 Stainless Steel)	<b>WEIGHT:</b> 0.15 LBS (0.07 kg)

## ORDERING INFORMATION

PMA	- * 2	- * R	- 4M	- A	- FL	- * 1
Model	Set Point	Direction	Port Size	Circuit	Terminal	Options
PMA - Field Adjustable	See Above Adjustment Ranges	R - PSI Rising F - PSI Falling BR - Bar Rising BF - Bar Falling	2M - 1/8 NPT 4M - 1/4 NPT 2G - 1/8 BSPP 4G - 1/4 BSPP 4S - 7/16X20 SAE MALE 6S - 9/16X18 SAE MALE M10 - M10X1 M12 - M12X1.5	A - SPST / NO B - SPST / NC	SP - 1/4" x 1/32" Spade TS - 6-32 Terminal Screws DIFL - Deutsch Integral 18" Flying Leads DI - Deutsch Integral	* - Omit If Standard 1 - VITON® Diaphragm 2 - EPDM Diaphragm 4 - 316 SS Housing 5 - Spiral Restrictor 6 - Oxygen Cleaned 7 - Gold Contacts
PMF - Factory Set	* Model PMF Specify Set Point Required	*Omit For Model PMA	Consult Factory for Non-Standard			