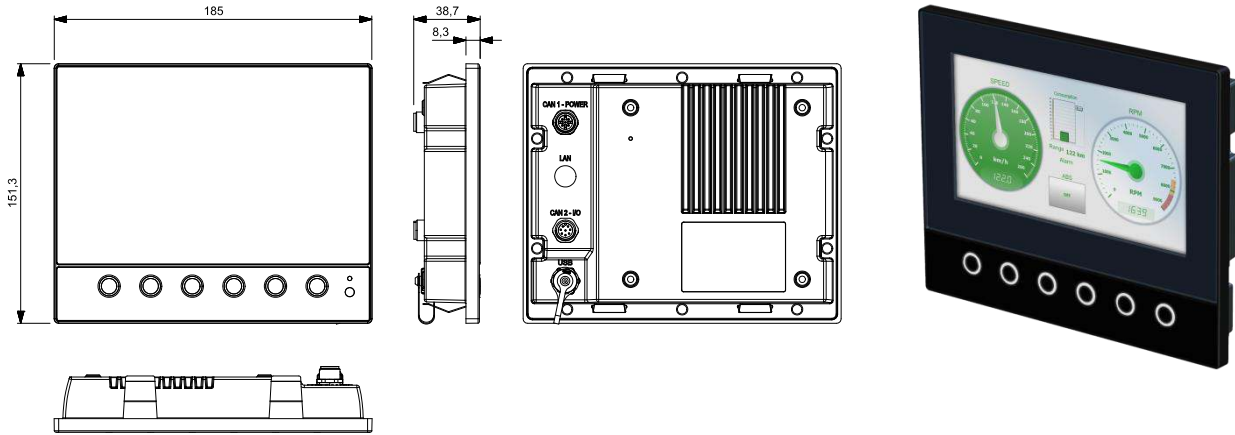


# Preliminary



Mechanical Data	5001	5002
Dimensions width / height / depth [mm]	185 / 151 / 39	
Degree of protection	IP 65	
Temperature range	-30°C - +70 °C / -22°F - +158°F	
Weight	750 g	
Electrical Data		
DC power supply	9 V – 32 V	
Power input @ 24 V	< 400 mA	
Memory: Flash / EEPROM / RAM	1 GB / 64 KB / 500 MB	
Input elements	6 Softkeys backlit	
Status LED	1 Status LED (red, green)	
Buzzer	✓	
Real-time clock with backup / accuracy	✓ / TBD	
Display data		
Display type / resolution / max. brightness / Viewing angle	6.5", 15:9 TFT / 800 x 480 px / > 400 cd/m² / up to 70°	
Backlight for keys and display	Dimmable	
Interfaces / Protocols		
CAN (ISO 11898-2 High Speed, 2.0 B) (M12 5-pin male)	2 (CAN-Baudrate max. 800 kBit/s supported)	
Mini USB	1 (USB 2.0 Full Speed) Host	
Bluetooth	-	✓
WLAN	-	✓
Inputs / Outputs (M12 8-pin male)	2 analog IN (1x 0-5V, 1x max. 2,2 kOhm), 2 digital OUT (max. 500 mA)	
Ambient light sensor	✓	
CANopen®, Layer 2, J1939	✓	
Customized CAN protocols	on request	
Software		
RMtools CD	157 002 059	
Product number / Accessories		
<b>RM Display 5001 / 5002</b>	<b>251 007 039</b>	<b>251 007 040</b>
CAN cable M12 5-pin / D-Sub + Power	136 000 028	
CAN cable M12 8-pin / open 5m	136 000 154	
Cable M12 4-pin D male / RJ45 2m	136 000 134	
Starter-Kit		
RM Display 5001 / 5002 Starter-Kit	253 000 138	253 000 139
Certifications		
CE, FCC, E1	Q1/2016	