



## ehb SMARTcontrol

The ehb SMARTcontrol product family comprises various remote control stations for use in CANbus (SAE J1939) applications.

### APPLICATIONS

Construction machinery

Communal vehicles

Agricultural machines

Plant engineering

Industrial visualisation

Maritime applications

#### Standard operating panels in various designs and configurations

Inexpensive solutions without major adaptation requirements.  
From 8 to 20 keys in a single panel.

#### Combined encoder/joystick solutions with keys

Inexpensive solutions without major adaptation requirements.  
Available in three versions: Optical encoder, encoder with push-button and joystick with push-button, each featuring five keys.

#### Dimmable LED indicators in a number of colours

Optimal adjustment to the customers' designs. Available in red, amber, green and blue for the operating panels.

#### Industrial quality and design

High operational reliability ensured by 1.000.000 operating cycles per key on the operating panels and 500.000 operating cycles for encoders and joysticks.  
Key background lighting in red, amber and green.

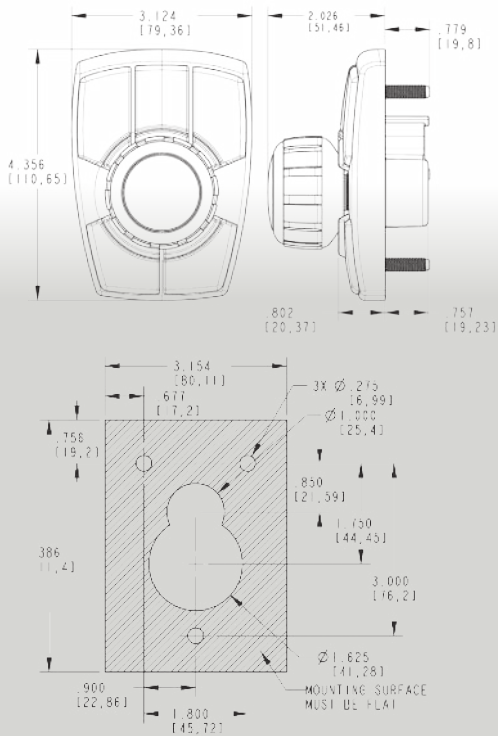
#### Plug and Play

Preconfigured solutions for standard applications without programming expertise.  
Optimally aligned with the ehb SMART product range. Communication to J1939 or CANopen standard.

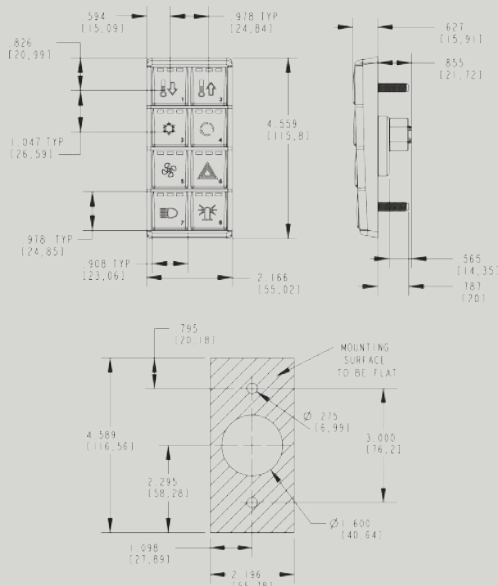
#### Support of different actuation combinations

Individual actuation and lighting scenarios can be implemented and adapted to the specific application.

## ehb SMARTcontrol J5



## ehb SMARTcontrol 8Kv



## ehb SMARTcontrol TECHNICAL DATA

ehb545x

### Electrical data

Voltage range	for 12V and 24V systems
Power consumption	max. 1A
Operating temperature	-40°C to +85°C
Storage temperature	-40°C to +85°C
CAN bus interface	J1939 and CANopen

### Visualisation

Indicators	LED, dimmable, in red, amber, green and blue
Background lighting	Red, amber, green

### Mechanical data

Operating cycles	1.000.000 actuations per key on the operating panel 500.000 actuations per joystick or encoder
Installed dimensions (W x H x D)	ehb SMARTcontrol K6h (2 x 3 keys) 79.9 x 62.8 x 15.5mm ehb SMARTcontrol K8h (2 x 4 keys) 104.7 x 62.8 x 15.5mm ehb SMARTcontrol K8v (4 x 2 keys) 55.1 x 115.8 x 15.91mm ehb SMARTcontrol K12v (4 x 3 keys) 79.9 x 115.8 x 15.91mm ehb SMARTcontrol K15h (3 x 5 keys) 129.5 x 89.5 x 15.7mm ehb SMARTcontrol K20h (4 x 5 keys) 129.5 x 89.5 x 15.8mm ehb SMARTcontrol R5 (encoder + 5 keys) 79.4 x 110.7 x 41.1mm ehb SMARTcontrol J5 (joystick + 5 keys) 79.4 x 110.7 x 51.5mm
Installation cut-out (W x H)	ehb SMARTcontrol K6h 45.26 x 32.5mm ehb SMARTcontrol K8h /K8v Ø 41mm ehb SMARTcontrol K12v Ø 47mm ehb SMARTcontrol K15h/K20h Ø 57mm ehb SMARTcontrol R5/J5 Ø 26mm + Ø 42mm

### Housing material

PA 6.6

### Installation

Installation	20 mm thread M6 x 1.0mm
ehb SMARTcontrol K6h/K8h/K8v	2 threads
ehb SMARTcontrol K12v/K15h/K20h	4 threads
ehb SMARTcontrol R5/J5	3 thread

### Degree of protection

IP67

### Connection

Deutsch, DT series, 4-pin

### Test standard

Humidity	ANSI/ASAE EP455 5.13; ANSI/ASAE EP455 5.6 Level 2
Vibration	ANSI/ASAE EP455 5.15.1; ANSI/ASAE EP455 5.15.2
Impact	ANSI/ASAE EP455 5.14; ANSI/ASAE EP455 5.14.2 Level 1
EMC	ANSI/ASAE EP455 5.12; ISO 14982 6.6/6.4; SAE J1113-41
CE marking	ISO 14982; EN 13309:2000

### Article No.

ehb SMARTcontrol K6h	ehb5451
ehb SMARTcontrol K8h	ehb5452
ehb SMARTcontrol K8v	ehb5453
ehb SMARTcontrol K12v	ehb5454
ehb SMARTcontrol K15h	ehb5455
ehb SMARTcontrol K20h	ehb5456
ehb SMARTcontrol R5	ehb5457
ehb SMARTcontrol J5	ehb5450

