



## ehb SMARTdisplay 30

The ehb SMARTdisplay 30 delivers a multitude of functions for the monitoring, visualisation and operation of applications via CAN bus (SAE J1939).

### APPLICATIONS

Construction machinery

Communal vehicles

Agricultural machines

Plant engineering

Industrial visualisation

Maritime applications

### Large, transfective, backlit B/W display with automatic contrast adjustment thanks to integrated brightness sensor

The ehb SMARTdisplay 30 ensures perfect legibility even under poor lighting conditions.

### UV-resistant, rugged PA6 housing for installation in a 52mm standard bore. Secure installation with retainer bolted from the rear

Fast installation and retrofit. Dependable functioning even in harsh environments.

### CAN bus

Inexpensive solution for the monitoring and visualisation of engine characteristics with CAN bus.

### Plug and Play

Preconfigured solutions for standard applications without programming expertise.

### Easy to use

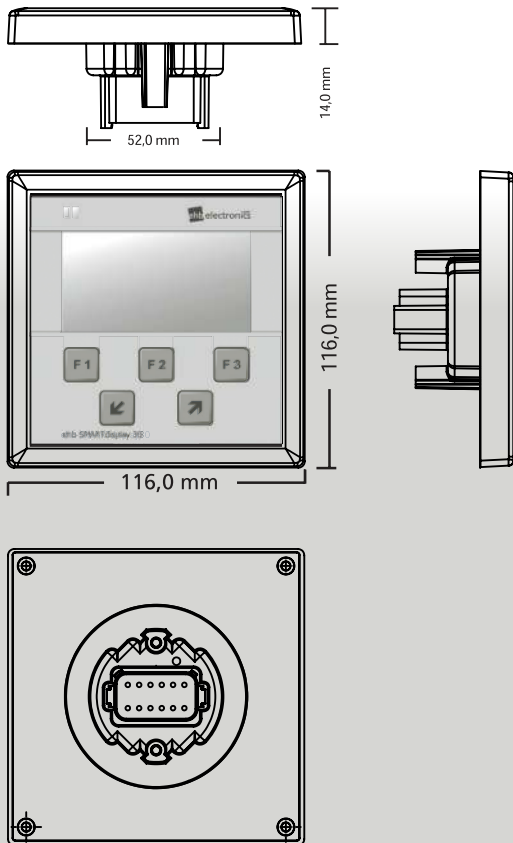
No need to know the CAN bus protocol to display the relevant engine data for:

- Exhaust system data
- Fuel tank levels
- Temperatures
- Diagnostic data
- Pressure data
- Speed
- Torque
- Fuel consumption
- 3-phase generator data (optional)

## ehb SMARTdisplay 30

### TECHNICAL DATA

ehb5441



#### Technical data

Voltage range	5 – 32V (typ. 6 – 32V)
Power consumption	50 – 120mA (in UB 8 – 24V)
Operating temperature	-20°C to +70°C
Storage temperature	-30°C to +80°C
RAM memory	64 kByte
Flash memory	128 kByte
CAN bus interface	250 kBit/s, CAN 2.0, SAE J1939

#### Visualisation

Display type	Dot-matrix LCD display, transfective
Resolution	128 x 64 pixels
Visible screen diagonal	3.0" (7.6cm)
Brightness	>30 cd/m <sup>2</sup>
Contrast ratio (CR)	5:1
Background lighting	LED, white

#### Mechanical data

Housing dimensions (W x H x D)	116 x 116 x 14 mm
Installation depth	47 mm / approx. 70 mm with cable
Installation cut-out	Ø 52 mm
Housing material	PA 6 30 GB, black, UV-stabilised
Weight	190g
Installation	Retainers, bolted from the rear
Degree of protection:	IP67 (with plug inserted)
Connection	Deutsch plug type DT04-12PA

#### Test standard

Humidity	DIN EN 60068-2-3
Vibration	DIN EN 60068-2-6
Impact	DIN EN 60068-2-27
CE marking	according to Directive 2014/30/EU

#### Accessories

Connection cable, 12-pole, 3m	ehb5362
-------------------------------	---------

