



## ehb SMARTdisplay 43 CANflex

The ehb SMARTdisplay 43 delivers a multitude of functions for the monitoring, visualisation, display and control of applications via CANbus (SAE J1939).

### APPLICATIONS

Construction machinery

Communal vehicles

Agricultural machines

Plant engineering

Industrial visualisation

Maritime applications

**High-resolution colour display with menu-controlled background brightness**  
ehb SMARTdisplay 43 ensures perfect legibility even under poor lighting conditions.

#### Capacitive touch screen

Intuitive, graphic user navigation without additional mechanical operating elements, directly on-screen.

**UV-resistant, rugged plastic housing manufactured from PA 6.6 GF30 with high-quality, single-side micro-etched float glass and non-sparkling effect**

The slim design of the ehb SMARTdisplay 43 enables perfect integration.

The surface will tolerate cleaning with disinfectant. No annoying reflections.

**ehb workbench for the configuration of customer-specific visualisation and user interfaces**

Individual adaptation of all display and signalling elements and integration of customer-specific logos, symbols and pictograms. Freely positionable and configurable. The Drag&Drop concept enables intuitive operation without programming expertise.

#### USB port

Transfer of data to USB storage media for postprocessing and documentation.

Data and project loading from USB storage media.

Optional customer-specific adaptations.

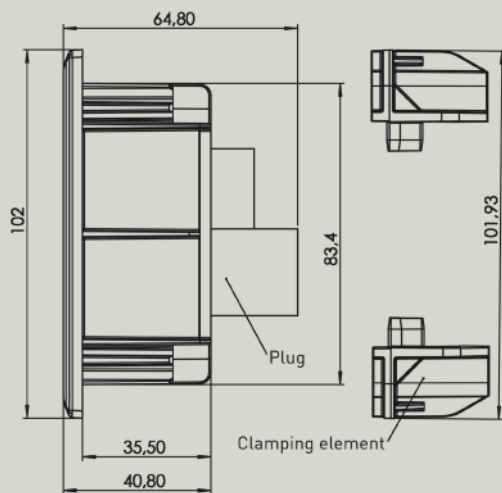
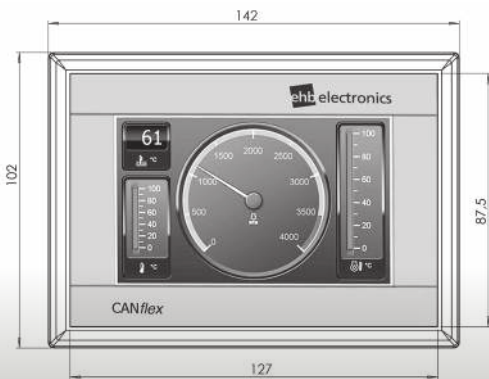
**Real-time operating system and ready for Industry 4.0**

Realisation of complex, real-time-capable applications with application reliability in M2M communication.

#### Web interface

Individual display of customer-specific data and application parametrisation via web server. Connection via integrated RJ-45 interface.

Optional customer-specific adaptations.



## ehb SMARTdisplay 43

CANflex

ehb5412\*

### TECHNICAL DATA

#### Electrical data

Voltage range	8 – 32V (typ. 12 – 24V)
Interference	14 – 28V (6Vss, 50Hz on UB)
Voltage peaks	200V (2ms on UB)
Power consumption	170 – 300mA (in UB 8 – 14V)
Operating temperature	-20°C* to +70°C *(up to -40°C when additional measures are taken)
Storage temperature	-30°C to +80°C
Inputs	CAN bus interface, USB 2.0, Ethernet
Outputs	CAN bus interface, USB 2.0, Ethernet
Analogue inputs	2x 0 – 20mA or 0 – 10V
RAM memory	512 MByte
Flash memory	128 MByte, expandable to 8GByte with internal SD card
CAN bus interface	250 kBit/s, CAN 2.0B, SAE J1939
Operating hours counter	Integrated
Daily operating hours counter	Possible via plug-in
Software	ehb-workbench

#### Visualisation

Display type	LCD colour display, TFT, transmissive
Resolution	480 x 272 pixels
Visible screen diagonal	4.3" (10.9cm)
Brightness	391 cd/m <sup>2</sup>
Contrast ratio (CR)	300 – 450
Background lighting	LED, white

#### Mechanical data

Housing dimensions (L x W)	142 x 102 mm
Installation dimensions (W x H x D)	125 x 85 x 100 mm
Installation cut-out (W x H)	125 x 85 mm
Housing material	PA 6.6 GF30 with Al rear panel
Weight	430g
Installation	4 clamping elements, bolted from the rear
Degree of protection	IP67
Connection	12-pole round connector USB 2.0 RJ-45

#### Test standard

Humidity	DIN EN 60068-2-3
Vibration	DIN EN 60068-2-6
Impact	DIN EN 60068-2-27
CE marking	according to Directive 2014/30/EU

#### Accessories

ehb-workbench	Free download from our website
Connection cable, 12-pole, 3m	M11325

