



ehb SMARTmodul 44

The ehb SMARTmodul 44 delivers a multitude of functions for monitoring and controlling applications via CANbus (SAE J1939).

APPLICATIONS

Construction machinery

Communal vehicles

Agricultural machines

Plant engineering

Maritime applications

Inputs and outputs can be controlled via CANbus

Control tasks are easily achieved via the connected HMI without programming efforts at the controller.

UV-resistant, rugged PA6 housing for screwed installation.

Connection via 2 plug connectors.

Fast installation and retrofit. Dependable functioning even in harsh environments.

Individually programmable according to customer specification

Adaptation to the requirements of specific applications.

Regulation, control and monitoring in a single device.

High-performance, short-circuit-proof outputs 3.5 – 70 A

Directly-driven actuators without relays or amplifiers.

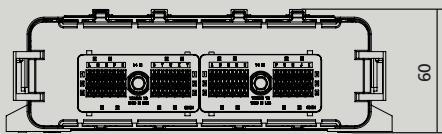
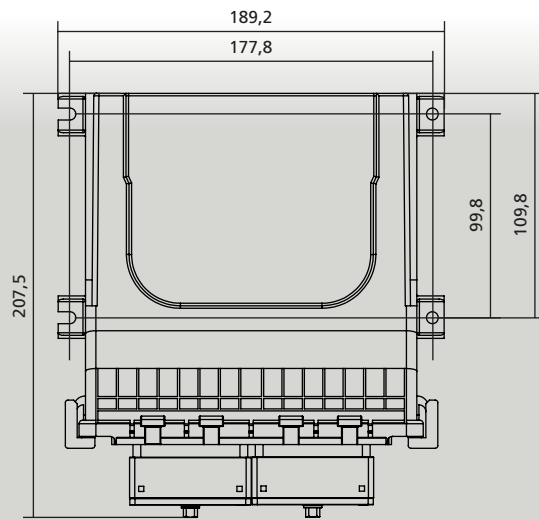
Analogue, digital and CAN bus signals are reliably interconnected and evaluated

Simple networking of a multitude of sensors, actuators and units.

ehb SMARTmodul 44

TECHNICAL DATA

ehb5344



Electrical data

Voltage range	6 – 32V (typ. 8 – 28V)
Power consumption	< 5 – 200mA (in UB 8 – 24V) without switching currents
Operating temperature	-30°C to 85°C
Storage temperature	-40°C to 85°C
Inputs	4 x Resistance sensor with 3-level amplification 13 x Digital level <30% from UB 4 x GND push-buttons, switching 2 x Frequency, 0 – 10kHz 1 x 0 – 10V, 10mV resolution 1 x 0 – 20mA, 0.02mA resolution
Outputs	4 x High-side switch, 3.5A 2 x High-side switch, 8A 3 x High-side switch, 20A 3 x High-side switch, 40A 1 x High-side switch, 70A 1 x Dplus/excitation 4 x LED or 5W lamp 1 x 0 – 10V, 12-bit resolution
CAN bus interface	CAN 2.0B, 250kBit/s, SAE J1939

Mechanical data

Installed dimensions (W x H x D)	189.2 x 60 x 235 mm (with plug and cable outlet)
Housing material	PA 6.6 GF30
Weight	650 g
Installation	4 screws with mounting brackets
Degree of protection	IP 67
Connection	2 x Mating SHS harness connector 30 I/O

Test standard

Humidity	DIN EN 60068-2-3
Vibration	DIN EN 60068-2-6
Impact	DIN EN 60068-2-27
EMC	DIN EN 55011/A, DIN EN 55022/B, DIN EN 50081-1, DIN EN 6100-4-2, DIN EN 6100-4-3, DIN EN 6100-4-6, DIN EN 6100-4-4
CE marking	according to Directive 2014/30/EU

Accessories

2 Plugs with contacts	ehb Article No. ZUB5344
-----------------------	-------------------------

