

# Temperatursensor

1polig über Masse

## Technische Daten:

Ausführung: Heißleiter (NTC)  
 Nennspannung: 6V bis 24V  
 Temperaturgleichzeit: Min. 3 Minuten nach eingeschaltetem Betriebssystem

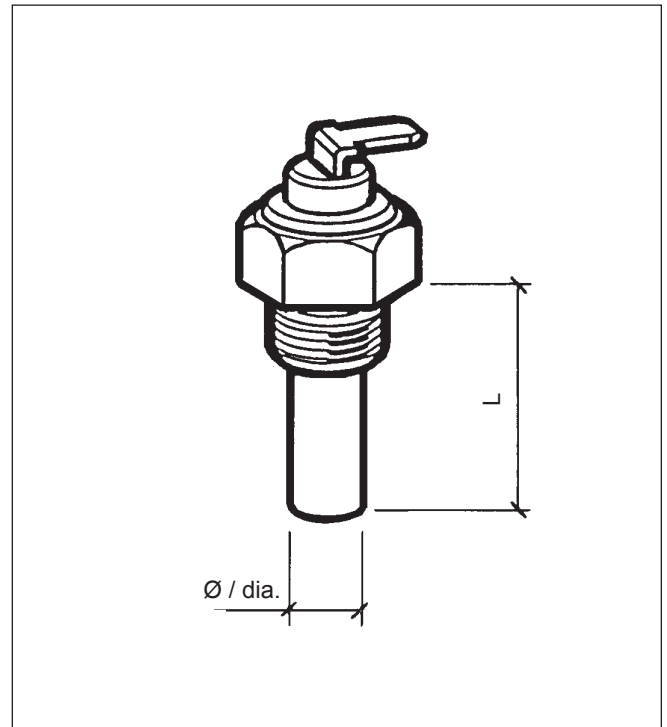
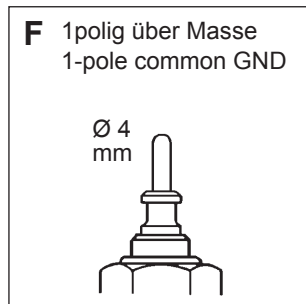
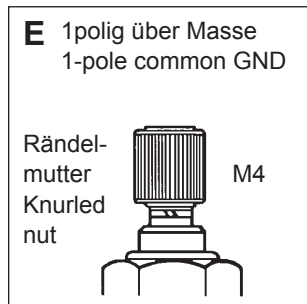
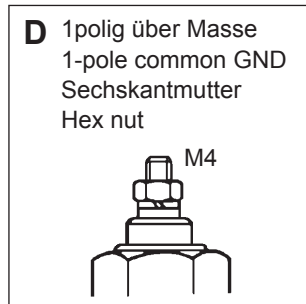
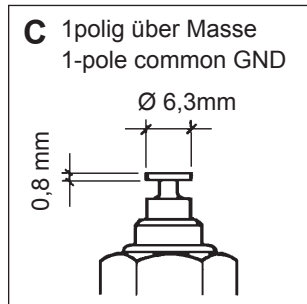
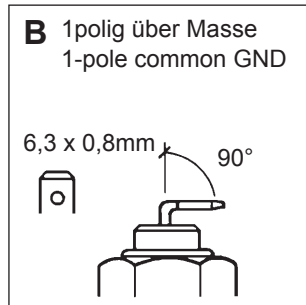
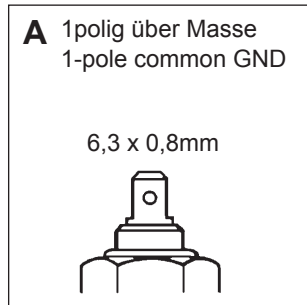
# Temperatur Sensor

1-pole common ground

## Technical Data:

Design: Thermistor (NTC)  
 Rated voltage: 6V to 24V  
 Temperature conditioning time: 3 minutes minimum after switching on power supply

### Anschlussart / Type of connection:



# Temperatursensor

1polig über Masse

# Temperatur Sensor

1-pole common ground

Artikelnummer Order Number	▼	T max. [°C]	Gewinde Thread	Art Type	L [mm]	Ø / dia. [mm]
323-801-001-006K/N	1	120	M14 x 1,5	A	29	9
323-801-001-007N	1	120	3/8" - 18 NPTF	A	29	9
323-801-001-008N	1	120	5/8" - 18 UNF-3A	A	29	9
323-801-001-009N	1	120	1/4" - 18 NPTF	A	29	9
323-801-001-010K/N	1	120	1/2" - 14 NPTF	A	29	9
323-801-001-015N ★	1	120	3/8" - 18 Dryseal NPTF	A	29	9
323-801-001-022N	1	120	M18 x 1,5	A	29	9
323-801-001-026K/N	1	120	M14 x 1,5	E	29	9
323-801-001-029N	1	120	M16 x 1,5	E	29	9
323-801-001-040B ★	1	120	M16 x 1,5	A	29	9
323-801-001-040N	1	120	M16 x 1,5	A	29	9
323-801-001-054D	1	120	M14 x 1,5	D	29	9
323-801-001-058C	1	120	R 3/8" (DIN 2999, kegelig / tapered)	E	29	9
323-801-005-001D	1	120	1/8" - 27 NPTF	C	22	8,5
323-801-005-005D	1	120	M10 x 1	C	22	8,5
323-801-008-002D	13	120	M10 x 1	D	22	8,5
323-801-017-001K/N	1	120	M10 x 1 keg. kurz / tapered, short	C	10,5	8,4
323-801-020-002D	12	120	M14 x 1,5	F	24	9
323-804-015-005D ★	6	120	1/8" - 27 Dryseal NPTF	C	22	8,2
323-801-028-001C	14	Fühler: 250, Sechskant: 150 Probe: 250, hex.: 150	M14 x 1,5-6e	C	57	11,8
323-801-004-002N	2	150	M14 x 1,5	A	29	9
323-801-004-003D	2	150	R 1/2	A	29	9
323-801-004-006D	2	150	1/2" - 14 NPTF	D	29	9
323-801-004-007D	2	150	1/2" - 14 NPTF	A	29	9
323-801-004-012C	2	150	M16 x 1,5	E	29	9
323-801-004-017D	2	150	1/4" - 18 NPTF	D	29	9
323-801-004-036K ★	2	150	M24 x 1,5	B	29	9
323-801-004-039D/K	2	150	M14 x 1,5	B	29	9
323-801-009-001D	2	150	1/8" - 27 NPTF	C	22	8,2
323-801-009-003D	2	150	M10 x 1 keg. kurz / tapered, short	C	22	8,2
323-801-010-001D	2	150	M10 x 1,5	C	22	6,9
323-801-010-003K	2	150	M12 x 1,5	C	22	6,9
323-801-012-001D	2	150	M16 x 1,5	B	15	9
323-801-012-002D/K	2	150	M14 x 1,5	B	15	9
323-801-012-003D	2	150	M18 x 1,5	B	15	9
323-801-003-001D	12	200	M10 x 1,5	C	22	6,9
323-801-018-001D	12	200	1/8" - 27 NPTF	C	10,5	8,4
323-801-013-001D	12	200-230	1/8" - 27 NPTF	C	22	8,2

▼ Siehe Datei: Temperatursensor Kennlinie-Tabellen / see file: temperature sensor characteristic curve tables

★ Auslauf, bitte Verfügbarkeit prüfen. / Phase out, please check availability.

## Temperatursensor für Lufttemperatur

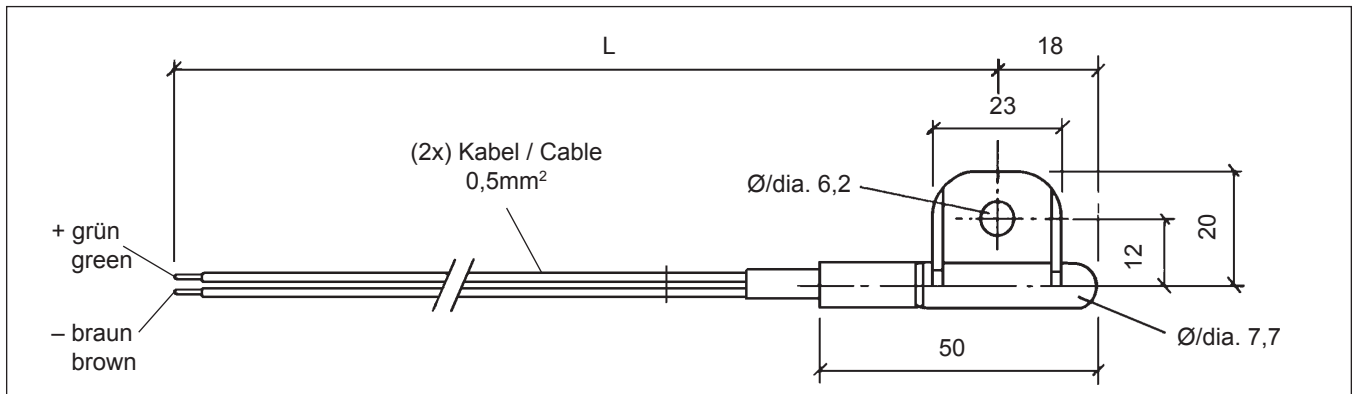
### Technische Daten:

Ausführung:	Heißleiter (NTC), massfrei
Nennspannung:	6V bis 24V
Betriebstemperatur:	- 40°C bis + 85°C max.
Temperaturangleichzeit:	Min. 3 Minuten nach eingeschaltetem Betriebssystem
Kennlinie-Tabelle:	16 ▼

## Temperature Sensor for Air Temperature

### Technical Data:

Version:	Thermistor (NTC), insulated return
Rated voltage:	6V to 24V
Operating temperature:	- 40°C to + 85°C max.
Temperature conditioning time:	3 minutes minimum after switching on power supply
Characteristic curve table:	16 ▼



▼ siehe Datei: Temperatursensor Kennlinie-Tabellen / see file: temperature sensors characteristic curve tables

**Kabellänge / Cable length L:3000 mm**  
**Kabellänge / Cable length L:4500 mm**

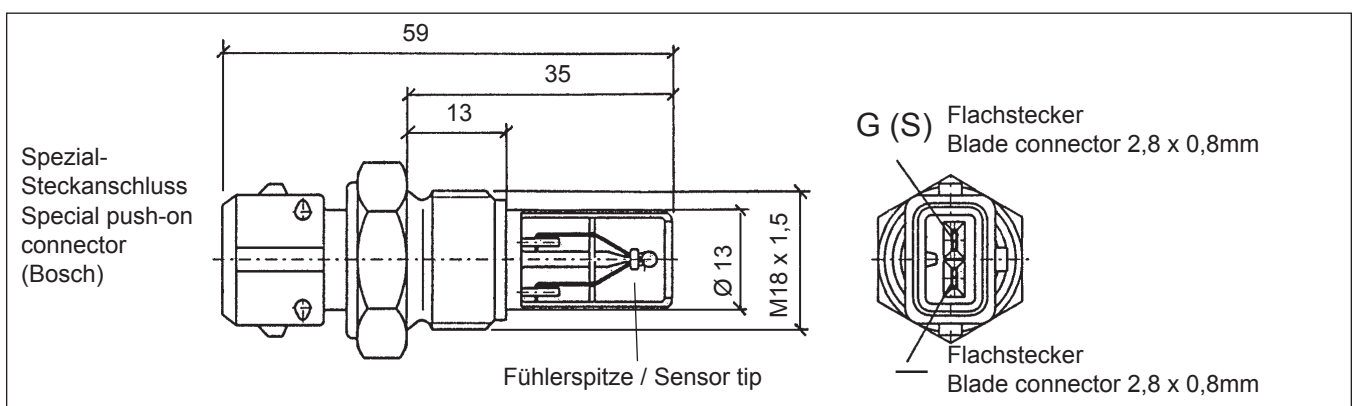
**Artikel-Nr. / Order No. 323-809-010-005D**  
**Artikel-Nr. / Order No. 323-809-010-006D**

### Technische Daten:

Ausführung:	Heißleiter (NTC), massfrei
Nennspannung:	6V bis 24V
Betriebstemperatur:	- 40°C bis + 150°C max. an der Fühlerspitze
Temperaturangleichzeit:	Min. 3 Minuten nach eingeschaltetem Betriebssystem
Kennlinie-Tabelle:	17 ▼

### Technical Data:

Version:	Thermistor (NTC), insulated return
Rated voltage:	6V to 24V
Operating temperature:	- 40°C to + 150°C max. on the sensor tip
Temperature conditioning time:	3 minutes minimum after switching on power supply
Characteristic curve table:	17 ▼



▼ siehe Datei: Temperatursensor Kennlinie-Tabellen / see file: temperature sensors characteristic curve tables

**Artikel-Nr. / Order No. 323-809-019-003A**

# Temperatursensor

2polig massiefrei

## Technische Daten:

Ausführung: Heißleiter (NTC)  
Nennspannung: 6V bis 24V  
Temperaturangleichzeit: Min. 3 Minuten nach eingeschaltetem Betriebssystem

# Temperatur Sensor

2-pole insulated return

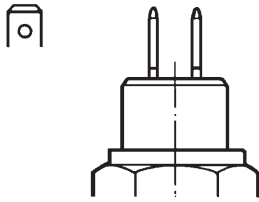
## Technical Data:

Design: Thermistor (NTC)  
Rated voltage: 6V to 24V  
Temperature conditioning time: 3 minutes minimum after switching on power supply

## Anschlussart / Type of connection:

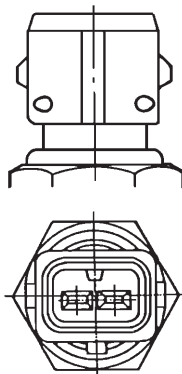
### G massiefrei / insulated return

(2x)  
6,3 x 0,8mm

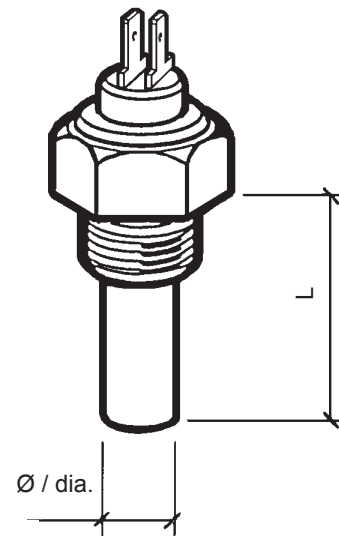


### H massiefrei / insulated return

Spezial-Steckanschluss (Bosch)  
Special push-on connector (Bosch)



(2x)  
2,8 x 0,8mm



## Temperatursensor 2polig massedfrei

## Temperatur Sensor 2-pole insulated return

Artikelnummer Order Number	▼	T max. [°C]	Gewinde Thread	Art Type	L [mm]	Ø / dia. [mm]
323-805-001-001K/N	1	120	M14 x 1,5	G	29	11
323-805-001-002C	1	120	5/8" - 18 UNF-2A	G	24	11
323-805-001-004K/N	1	120	1/2" - 14 NPTF	G	29	11
323-805-001-005N	1	120	3/8" - 18 Dryseal NPTF	G	29	11
323-805-001-015N	1	120	M18 x 1,5	G	29	9
323-805-034-002B	18	120	M14 x 1,5	H	29	7,5
323-805-039-001C	11	120	M14 x 1,5	H	29	8,5
323-805-042-001C	15	120	M14 x 1,5	H	29	8,5
325-805-003-001C	19	120	1/4" - 18 NPTF	G	29	10,9
325-805-003-003C	19	120	3/8" - 18 NPTF	G	29	10,9
323-805-017-002C	9	130	M14 x 1,5	H	29	8,5
323-805-003-001N	2	150	M14 x 1,5	G	29	11
323-805-003-002N	2	150	1/4" - 18 NPTF	G	29	11
323-805-003-003N	2	150	5/8" - 18 UNF-2A mit Dichtkonus with sealing cone	G	29	11

▼ Siehe Datei: Temperatursensor Kennlinie-Tabellen / see file: temperature sensor characteristic curve tables

\* Auslauf, bitte Verfügbarkeit prüfen. / Phase out, please check availability.

## Temperatursensor

### Kennlinie-Tabellen

## Temperature Sensor

### Characteristic Curve Tables

Temperaturgeber: Heißleiter (NTC) Kennlinie-Tabelle		Seite
Temperature sensor: thermistor (NTC) Characteristic curve table		Page
92-027-004	1	2
92-027-006	2	3
92-027-016	3	4
92-027-081	4	5
92-027-022	5	6
92-027-064	6	7
92-027-017	7	8
92-027-008	8	9
92-027-119	9	10
92-027-079	10	11
92-027-122	11	12
92-027-005	12	13, 14
92-027-007	13	15
92-027-063	14	16, 17
92-027-126	15	18
92-027-029-3901	16	19
92-027-106	17	20
92-027-121	18	21
92-027-010	19	22
92-027-011	20	23

# Temperatursensor / Temperature Sensor

## Kennlinie-Tabelle / Characteristic Curve Table 1

### Heißleiter / Thermistor 92-027-004

Temp. °C	Geber / Sensor		
	R (Ohm)	± Tol (%)	± Tol (Ohm)
-40.0	17162.35	16.93	2906.00
-35.0	12439.50	16.32	2029.83
-30.0	9134.53	15.72	1435.77
-25.0	6764.48	15.13	1023.58
-20.0	5067.60	14.56	737.59
-15.0	3833.89	14.14	542.02
-10.0	2929.90	13.75	402.82
-5.0	2249.44	13.37	300.80
.0	1743.15	13.00	226.69
5.0	1364.07	12.65	172.56
10.0	1075.63	12.34	132.75
15.0	850.09	12.18	103.51
20.0	676.95	12.02	81.36
25.0	543.54	11.74	63.83
30.0	439.29	11.50	50.52
35.0	356.64	11.38	40.59
40.0	291.46	11.25	32.79
45.0	239.56	11.11	26.62
50.0	197.29	11.20	22.10
55.0	161.46	10.86	17.54
60.0	134.03	10.04	13.46
65.0	113.96	9.86	11.23
70.0	97.05	9.87	9.58
75.0	82.36	9.49	7.82
80.0	70.12	9.21	6.46
85.0	59.73	8.91	5.32
90.0	51.21	8.48	4.34
95.0	44.32	8.07	3.58
100.0	38.47	7.74	2.98
105.0	33.40	8.18	2.73
110.0	29.12	8.59	2.50
115.0	25.53	9.22	2.35
120.0	22.44	9.89	2.22
125.0	19.75	10.53	2.08
130.0	17.44	11.16	1.95
135.0	15.46	11.82	1.83
140.0	13.75	12.49	1.72
145.0	12.26	13.17	1.61
150.0	10.96	13.86	1.52

**Prüfmedium /  
Test fluid:  
Glycoshell**

# Temperatursensor / Temperature Sensor

## Kennlinie-Tabelle / Characteristic Curve Table 2

### Heißleiter / Thermistor 92-027-006

Temp. °C	Geber / Sensor		
	R (Ohm)	± Tol (%)	± Tol (Ohm)
-40.0	36563.56	14.26	5212.38
-35.0	26284.63	13.87	3645.02
-30.0	19149.20	13.48	2581.56
-25.0	14127.68	13.11	1851.71
-20.0	10540.68	12.77	1346.27
-15.0	7721.35	12.60	972.85
-10.0	5720.88	12.45	712.14
-5.0	4284.03	12.32	527.68
0	3240.18	12.21	395.75
5.0	2473.60	12.13	300.01
10.0	1905.87	12.05	229.70
15.0	1486.65	12.10	179.88
20.0	1168.64	12.17	142.19
25.0	926.71	12.25	113.52
30.0	739.98	12.34	91.32
35.0	594.90	12.43	73.97
40.0	481.53	12.51	60.26
45.0	392.57	12.36	48.51
50.0	322.17	12.17	39.20
55.0	266.19	11.97	31.87
60.0	221.17	11.77	26.02
65.0	184.72	11.60	21.42
70.0	155.29	11.36	17.64
75.0	131.38	11.00	14.45
80.0	112.08	10.48	11.75
85.0	96.40	10.00	9.64
90.0	82.96	9.68	8.03
95.0	71.44	9.32	6.66
100.0	61.92	8.87	5.49
105.0	54.01	8.45	4.56
110.0	47.24	8.07	3.81
115.0	41.42	7.73	3.20
120.0	36.51	7.32	2.67
125.0	32.38	7.36	2.38
130.0	28.81	7.41	2.13
135.0	25.70	7.76	1.99
140.0	23.00	8.09	1.86
145.0	20.66	8.36	1.73
150.0	18.59	8.66	1.61
155.0	16.74	8.85	1.48
160.0	15.11	9.04	1.37
165.0	13.66	9.24	1.26
170.0	12.38	9.46	1.17
175.0	11.25	9.67	1.09
180.0	10.24	9.90	1.01

**Prüfmedium /  
Test fluid:  
Marlotherm S**



# Temperatursensor / Temperature Sensor

## Kennlinie-Tabelle / Characteristic Curve Table 3

### Heißleiter / Thermistor 92-027-016

Temp. °C	Geber / Sensor		
	R (Ohm)	± Tol (%)	± Tol (Ohm)
-30.0	6494.33	13.29	862.90
-25.0	4648.88	13.08	607.86
-20.0	3369.82	12.89	434.40
-15.0	2471.21	12.74	314.78
-10.0	1831.83	12.61	230.98
-5.0	1371.63	12.52	171.69
.0	1036.68	12.47	129.24
5.0	790.38	12.45	98.41
10.0	607.53	12.47	75.74
15.0	470.63	12.52	58.92
20.0	367.31	12.59	46.24
25.0	289.19	12.68	36.67
30.0	229.32	12.75	29.24
35.0	183.20	12.82	23.48
40.0	147.46	12.84	18.94
45.0	119.63	12.75	15.25
50.0	97.83	12.57	12.29
55.0	80.64	13.80	11.13
60.0	67.01	14.92	10.00
65.0	56.10	14.35	8.05
70.0	47.32	13.71	6.49
75.0	40.18	13.03	5.23
80.0	34.42	12.23	4.21
85.0	29.68	11.53	3.42
90.0	25.59	10.98	2.81
95.0	22.13	10.67	2.36
100.0	19.25	10.33	1.99
105.0	16.83	10.28	1.73
110.0	14.76	10.24	1.51
115.0	12.99	10.22	1.33
120.0	11.46	10.21	1.17
125.0	10.15	10.77	1.09
130.0	9.01	11.34	1.02
135.0	8.02	11.93	.96
140.0	7.15	12.54	.90
145.0	6.40	13.16	.84
150.0	5.73	13.79	.79

**Prüfmedium /  
Test fluid:  
Glycoshell**

# Temperatursensor / Temperature Sensor

## Kennlinie-Tabelle / Characteristic Curve Table 4

### Heißleiter / Thermistor 92-027-081

Temp. °C	Geber / Sensor		
	R (Ohm)	± Tol (%)	± Tol (Ohm)
-30.0	15980.29	19.78	3161.44
-25.0	11841.55	18.98	2247.59
-20.0	8875.65	18.20	1615.04
-15.0	6679.28	17.42	1163.54
-10.0	5078.36	16.67	846.35
-5.0	3879.50	15.92	617.49
.0	2991.26	15.19	454.40
5.0	2323.47	14.43	335.33
10.0	1819.64	13.69	249.17
15.0	1434.17	13.02	186.67
20.0	1138.30	12.37	140.81
25.0	908.81	11.07	100.65
30.0	731.94	10.77	78.82
35.0	591.25	10.74	63.53
40.0	480.71	10.71	51.50
45.0	393.35	10.61	41.74
50.0	323.63	10.53	34.08
55.0	267.45	10.43	27.91
60.0	222.54	10.27	22.86
65.0	186.47	10.03	18.70
70.0	157.09	9.77	15.35
75.0	133.02	9.44	12.56
80.0	113.22	9.09	10.30
85.0	96.84	8.73	8.46
90.0	83.25	8.34	6.95
95.0	71.93	7.95	5.72
100.0	62.43	7.54	4.71
105.0	54.43	7.13	3.88
110.0	47.62	6.73	3.20
115.0	41.79	6.30	2.63
120.0	36.81	5.87	2.16
125.0	32.54	5.45	1.77
130.0	28.86	5.04	1.46
135.0	25.66	5.52	1.42
140.0	22.87	6.03	1.38
145.0	20.40	6.51	1.33
150.0	18.25	6.99	1.28
155.0	16.38	7.49	1.23
160.0	14.73	8.00	1.18
165.0	13.28	8.57	1.14
170.0	11.99	9.14	1.10
175.0	10.85	9.73	1.06
180.0	9.84	10.32	1.02

**Prüfmedium /  
Test fluid:  
Marlotherm S**

# Temperatursensor / Temperature Sensor

## Kennlinie-Tabelle / Characteristic Curve Table 5

### Heißleiter / Thermistor 92-027-022

Temp. °C	Geber / Sensor		
	R (Ohm)	± Tol (%)	± Tol (Ohm)
-40.0	19927.45	17.19	3426.11
-35.0	14754.35	16.75	2471.48
-30.0	11056.91	16.32	1804.21
-25.0	8379.81	15.89	1331.85
-20.0	6417.93	15.49	994.32
-15.0	4950.53	14.88	736.71
-10.0	3854.56	14.29	550.63
-5.0	3027.56	13.70	414.92
.0	2396.66	13.17	315.60
5.0	1903.88	12.95	246.56
10.0	1523.61	12.76	194.35
15.0	1227.76	12.58	154.49
20.0	994.33	12.51	124.43
25.0	806.79	12.69	102.37
30.0	658.54	12.88	84.84
35.0	540.63	13.09	70.77
40.0	445.93	13.35	59.53
45.0	369.38	13.51	49.89
50.0	307.64	13.65	42.01
55.0	257.61	13.78	35.50
60.0	217.02	13.84	30.04
65.0	183.89	13.71	25.21
70.0	156.68	13.52	21.19
75.0	134.23	13.27	17.81
80.0	115.41	13.05	15.06
85.0	99.74	12.93	12.89
90.0	86.67	12.73	11.04
95.0	75.70	12.48	9.45
100.0	66.61	12.05	8.03
105.0	58.88	12.08	7.11
110.0	52.27	12.07	6.31
115.0	46.58	12.04	5.61
120.0	41.59	12.07	5.02
125.0	37.26	12.09	4.51
130.0	33.49	12.11	4.05
135.0	30.20	12.12	3.66
140.0	27.29	12.14	3.31
145.0	24.73	12.03	2.97
150.0	22.46	11.91	2.68

**Prüfmedium /  
Test fluid:  
Glycoshell**

# Temperatursensor / Temperature Sensor

## Kennlinie-Tabelle / Characteristic Curve Table 6

### Heißleiter / Thermistor 92-027-064

Temp. °C	Geber / Sensor		
	R (Ohm)	± Tol (%)	± Tol (Ohm)
-30.0	10407.46	11.68	1216.08
-25.0	8020.98	11.29	905.46
-20.0	6229.89	10.96	682.75
-15.0	4841.13	10.66	515.93
-10.0	3790.39	10.39	393.98
-5.0	2977.50	10.16	302.51
.0	2356.24	9.96	234.68
5.0	1877.62	9.78	183.54
10.0	1506.02	9.65	145.34
15.0	1215.79	9.54	116.01
20.0	987.12	9.50	93.76
25.0	806.99	9.53	76.88
30.0	662.36	9.59	63.50
35.0	545.98	9.69	52.91
40.0	452.25	9.79	44.29
45.0	376.46	9.92	37.34
50.0	314.24	10.15	31.89
55.0	263.14	10.26	27.00
60.0	222.01	10.27	22.79
65.0	188.57	10.34	19.51
70.0	160.68	10.46	16.80
75.0	137.51	10.47	14.40
80.0	118.19	10.44	12.34
85.0	102.06	10.34	10.56
90.0	88.56	10.17	9.01
95.0	77.20	9.95	7.69
100.0	67.71	9.63	6.52
105.0	59.63	9.35	5.57
110.0	52.71	9.04	4.76
115.0	46.77	8.69	4.06
120.0	41.64	8.27	3.44
125.0	37.20	8.28	3.08
130.0	33.39	8.18	2.73
135.0	30.05	8.11	2.44
140.0	27.08	8.13	2.20
145.0	24.44	8.08	1.98
150.0	22.14	7.96	1.76

**Prüfmedium /  
Test fluid:  
Glycoshell**

# Temperatursensor / Temperature Sensor

## Kennlinie-Tabelle / Characteristic Curve Table 7

### Heißleiter / Thermistor 92-027-017

Temp. °C	Geber / Sensor		
	R (Ohm)	± Tol (%)	± Tol (Ohm)
-20.0	25042.64	12.68	3176.13
-15.0	18749.57	11.54	2164.16
-10.0	14095.92	10.38	1463.46
-5.0	10710.62	9.23	988.28
.0	8220.03	8.08	664.08
5.0	6340.08	7.91	501.49
10.0	4934.67	7.74	381.96
15.0	3874.20	7.58	293.54
20.0	3066.43	7.42	227.53
25.0	2437.07	7.31	178.13
30.0	1951.37	7.20	140.42
35.0	1573.61	7.08	111.47
40.0	1277.55	6.97	89.03
45.0	1043.72	7.13	74.44
50.0	857.97	7.29	62.58
55.0	709.47	7.45	52.87
60.0	590.02	7.63	45.01
65.0	490.70	7.23	35.48
70.0	410.30	6.82	27.99
75.0	344.87	6.41	22.10
80.0	291.32	6.00	17.47
85.0	246.75	6.34	15.65
90.0	209.98	6.66	13.99
95.0	180.02	6.55	11.80
100.0	155.00	6.45	10.00
105.0	133.71	6.74	9.01
110.0	115.80	7.02	8.13
115.0	100.67	7.30	7.35
120.0	87.84	7.57	6.65
125.0	76.91	7.84	6.03
130.0	67.56	8.11	5.48
135.0	59.54	8.37	4.98
140.0	52.63	8.64	4.55
145.0	46.66	8.90	4.15
150.0	41.49	9.17	3.80

**Prüfmedium /  
Test fluid:  
Glycoshell**

# Temperatursensor / Temperature Sensor

## Kennlinie-Tabelle / Characteristic Curve Table 8

### Heißleiter / Thermistor 92-027-008

Temp. °C	Geber / Sensor		
	R (Ohm)	± Tol (%)	± Tol (Ohm)
-30.0	19125.46	13.50	2582.77
-25.0	14104.94	13.14	1853.43
-20.0	10516.08	12.81	1347.54
-15.0	7698.13	12.66	974.42
-10.0	5698.66	12.52	713.32
-5.0	4262.78	12.41	528.90
.0	3219.76	12.33	396.87
5.0	2454.24	12.27	301.20
10.0	1887.81	12.22	230.75
15.0	1469.55	12.31	180.87
20.0	1152.48	12.43	143.20
25.0	913.48	12.79	116.85
30.0	728.86	13.16	95.92
35.0	585.36	13.53	79.18
40.0	473.27	13.86	65.60
45.0	385.37	13.92	53.64
50.0	315.70	13.95	44.05
55.0	260.21	13.97	36.35
60.0	216.04	13.88	29.99
65.0	180.68	13.76	24.87
70.0	152.03	13.60	20.68
75.0	128.71	13.30	17.12
80.0	109.76	12.88	14.14
85.0	94.22	12.55	11.82
90.0	81.22	12.26	9.96
95.0	70.32	11.81	8.31
100.0	61.19	11.33	6.93
105.0	53.50	10.93	5.85
110.0	46.94	10.56	4.96
115.0	41.33	10.15	4.20
120.0	36.54	9.69	3.54
125.0	32.42	9.89	3.21
130.0	28.87	10.02	2.89
135.0	25.81	10.41	2.69
140.0	23.13	10.83	2.51
145.0	20.77	11.14	2.31
150.0	18.70	11.39	2.13
155.0	16.90	11.62	1.96
160.0	15.31	11.86	1.81
165.0	13.89	12.10	1.68
170.0	12.63	12.35	1.56
175.0	11.51	12.61	1.45
180.0	10.50	12.88	1.35

**Prüfmedium /  
Test fluid:  
Marlotherm S**

# Temperatursensor / Temperature Sensor

## Kennlinie-Tabelle / Characteristic Curve Table 9

### Heißleiter / Thermistor 92-027-119

Temp. °C	Geber / Sensor		
	R (Ohm)	± Tol (%)	± Tol (Ohm)
-40.0	17682.54	10.98	1941.37
-35.0	12886.35	10.50	1353.05
-30.0	9511.94	10.03	953.67
-25.0	7048.53	9.51	670.17
-20.0	5283.37	9.00	475.72
-15.0	3976.49	8.60	341.94
-10.0	3024.12	8.21	248.19
-5.0	2311.12	7.86	181.69
.0	1783.12	7.53	134.20
5.0	1386.46	7.19	99.70
10.0	1087.36	6.86	74.61
15.0	858.73	6.52	56.00
20.0	683.59	6.18	42.23
25.0	548.72	5.96	32.68
30.0	443.66	5.73	25.41
35.0	360.47	5.48	19.76
40.0	294.95	5.22	15.39
45.0	243.01	4.95	12.04
50.0	201.46	4.69	9.45
55.0	167.63	4.40	7.37
60.0	140.31	4.09	5.74
65.0	118.22	3.83	4.53
70.0	100.12	3.58	3.58
75.0	85.05	3.31	2.82
80.0	72.58	3.05	2.21
85.0	62.22	2.78	1.73
90.0	53.56	2.52	1.35
95.0	46.23	2.26	1.04
100.0	40.06	1.99	.80
105.0	34.85	2.23	.78
110.0	30.43	2.49	.76
115.0	26.63	2.68	.71
120.0	23.38	2.88	.67
125.0	20.58	3.08	.63
130.0	18.17	3.28	.60

**Prüfmedium /  
Test fluid:  
Glycoshell**

# Temperatursensor / Temperature Sensor

## Kennlinie-Tabelle / Characteristic Curve Table 10

### Heißleiter / Thermistor 92-027-079

Temp. °C	Geber / Sensor		
	R (Ohm)	± Tol (%)	± Tol (Ohm)
-25.0	296776.75	45.07	133772.00
-20.0	244764.88	40.86	99999.21
-15.0	199555.48	36.74	73325.48
-10.0	161040.78	32.87	52928.31
-5.0	128865.90	29.32	37778.61
.0	102463.83	26.17	26812.55
5.0	81141.90	23.41	18997.22
10.0	64133.61	21.04	13496.08
15.0	50695.18	19.00	9634.20
20.0	40140.31	17.24	6921.48
25.0	31913.54	15.79	5040.00
30.0	25470.75	14.51	3696.58
35.0	20420.35	13.37	2729.88
40.0	16452.20	12.32	2027.02
45.0	13324.39	11.35	1511.76
50.0	10848.26	10.43	1131.70
55.0	8879.55	9.56	849.01
60.0	7306.76	8.72	637.35
65.0	6044.02	7.92	478.57
70.0	5025.16	7.13	358.44
75.0	4194.78	6.36	266.61
80.0	3518.73	5.59	196.75
85.0	2963.76	4.90	145.37
90.0	2507.67	4.23	105.98
95.0	2131.15	3.55	75.68
100.0	1819.13	2.89	52.63
105.0	1555.71	3.53	54.95
110.0	1335.78	4.17	55.75
115.0	1151.39	4.82	55.45
120.0	996.30	5.47	54.50
125.0	863.76	6.09	52.58
130.0	751.51	6.71	50.44
135.0	655.66	7.33	48.07
140.0	573.94	7.96	45.66
145.0	503.72	8.58	43.20
150.0	443.47	9.20	40.80
155.0	391.39	9.82	38.43
160.0	346.44	10.44	36.17
165.0	307.33	11.06	33.99
170.0	273.37	11.68	31.92
175.0	243.79	12.29	29.97
180.0	217.95	12.91	28.14

**Prüfmedium /  
Test fluid:  
Marlotherm S**



# Temperatursensor / Temperature Sensor

## Kennlinie-Tabelle / Characteristic Curve Table 11

### Heißleiter / Thermistor 92-027-122

Temp. °C	Geber / Sensor		
	R (Ohm)	± Tol (%)	± Tol (Ohm)
-40.0	1785803.92	13.39	239048.10
-35.0	1275122.22	12.81	163306.90
-30.0	918286.97	12.26	112614.80
-25.0	665948.91	11.72	78043.37
-20.0	488148.29	11.21	54726.82
-15.0	359767.25	10.72	38582.75
-10.0	267864.56	10.23	27411.62
-5.0	200375.83	9.79	19618.48
.0	151350.70	9.37	14175.68
5.0	115392.59	8.94	10317.02
10.0	88744.99	8.53	7573.49
15.0	68922.74	8.14	5611.03
20.0	53933.66	7.78	4197.33
25.0	42643.00	7.52	3205.67
30.0	33955.49	7.28	2471.82
35.0	27115.10	7.04	1908.96
40.0	21792.92	6.79	1479.29
45.0	17657.32	6.56	1157.87
50.0	14388.38	6.33	910.24
55.0	11770.42	6.10	717.44
60.0	9682.07	5.88	569.37
65.0	8002.82	5.67	453.80
70.0	6645.76	5.44	361.86
75.0	5547.35	5.24	290.90
80.0	4649.77	5.00	232.29
85.0	3922.24	4.82	189.15
90.0	3323.40	4.61	153.31
95.0	2823.34	4.42	124.85
100.0	2407.19	4.19	100.84
105.0	2062.38	4.45	91.88
110.0	1773.65	4.69	83.27
115.0	1529.06	4.96	75.79
120.0	1322.37	5.18	68.52
125.0	1147.54	5.44	62.42
130.0	998.82	5.66	56.56

**Prüfmedium /**

**Test fluid:**

**Glycol**

# Temperatursensor / Temperature Sensor

## Kennlinie-Tabelle / Characteristic Curve Table 12

### Heißleiter / Thermistor 92-027-005

### Teil / Section 1

Temp. °C	Geber / Sensor		
	R (Ohm)	± Tol (%)	± Tol (Ohm)
-30.0	46051.47	21.56	9929.25
-25.0	33802.79	20.08	6787.31
-20.0	25007.98	18.60	4651.45
-15.0	18714.60	17.12	3204.63
-10.0	14063.03	16.49	2318.87
-5.0	10679.03	15.86	1693.77
.0	8189.16	15.25	1248.65
5.0	6310.21	14.80	934.00
10.0	4906.17	14.37	704.87
15.0	3846.86	13.94	536.35
20.0	3039.65	13.54	411.67
25.0	2414.20	13.25	319.78
30.0	1931.11	12.96	250.21
35.0	1555.23	12.68	197.21
40.0	1260.48	12.42	156.58
45.0	1026.45	12.22	125.43
50.0	841.37	11.97	100.73
55.0	698.00	11.79	82.32
60.0	580.98	11.76	68.32
65.0	478.97	11.60	55.55
70.0	397.50	11.36	45.15
75.0	333.56	11.20	37.35
80.0	281.83	10.90	30.73
85.0	240.92	10.67	25.70
90.0	205.99	10.70	22.04
95.0	174.44	10.53	18.36
100.0	148.81	10.19	15.16
105.0	128.32	9.93	12.74
110.0	111.37	9.51	10.60
115.0	97.57	9.19	8.97
120.0	85.47	9.13	7.80
125.0	74.31	8.85	6.57
130.0	64.99	8.42	5.47
135.0	57.38	8.06	4.62
140.0	50.84	7.68	3.91
145.0	45.20	7.42	3.35
150.0	40.29	7.17	2.89
155.0	35.97	6.81	2.45
160.0	32.19	6.51	2.10
165.0	28.76	6.96	2.00

weiter siehe Seite / more see page 14

# Temperatursensor / Temperature Sensor

## Kennlinie-Tabelle / Characteristic Curve Table 12

### Heißleiter / Thermistor 92-027-005

### Teil / Section 2

Temp. °C	Geber / Sensor		
	R (Ohm)	± Tol (%)	± Tol (Ohm)
170.0	25.76	7.29	1.88
175.0	23.34	7.44	1.74
180.0	21.20	7.65	1.62
185.0	19.20	7.91	1.52
190.0	17.43	8.22	1.43
195.0	15.78	8.54	1.35
200.0	14.29	8.79	1.26
205.0	13.11	8.98	1.18
210.0	12.05	9.21	1.11
215.0	11.04	9.51	1.05
220.0	10.12	9.81	.99
225.0	9.30	10.07	.94
230.0	8.55	10.33	.88
235.0	7.88	10.59	.83
240.0	7.27	10.86	.79
245.0	6.72	11.17	.75
250.0	6.21	11.50	.71

**Prüfmedium /  
Test fluid:  
Silikonöl / Silicon oil**

# Temperatursensor / Temperature Sensor

## Kennlinie-Tabelle / Characteristic Curve Table 13

### Heißleiter / Thermistor 92-027-007

Temp. °C	Geber / Sensor		
	R (Ohm)	± Tol (%)	± Tol (Ohm)
-30.0	10839.97	10.22	1107.44
-25.0	7894.30	9.43	744.46
-20.0	5820.86	8.64	503.02
-15.0	4329.44	7.84	339.58
-10.0	3256.85	7.04	229.25
-5.0	2470.11	6.22	153.64
.0	1892.98	5.39	102.01
5.0	1464.43	6.01	88.03
10.0	1143.48	6.62	75.74
15.0	899.41	7.22	64.96
20.0	713.37	7.82	55.76
25.0	570.94	8.45	48.26
30.0	460.31	9.09	41.84
35.0	373.18	9.72	36.29
40.0	304.56	10.36	31.55
45.0	249.55	11.00	27.44
50.0	205.71	11.63	23.92
55.0	171.09	12.27	20.99
60.0	143.08	12.91	18.47
65.0	120.18	13.55	16.29
70.0	101.46	14.20	14.41
75.0	85.95	14.84	12.76
80.0	73.15	15.49	11.33
85.0	62.54	16.13	10.09
90.0	53.69	16.77	9.01
95.0	46.29	17.42	8.06
100.0	40.06	18.06	7.24
105.0	34.81	18.70	6.51
110.0	30.35	19.35	5.87
115.0	26.55	19.99	5.31
120.0	23.31	20.64	4.81
125.0	20.53	21.28	4.37
130.0	18.14	21.92	3.98
135.0	16.08	22.56	3.63
140.0	14.29	23.20	3.31
145.0	12.73	23.84	3.04
150.0	11.38	24.48	2.79

**Prüfmedium /  
Test fluid:  
Glycoshell**

# Temperatursensor / Temperature Sensor

## Kennlinie-Tabelle / Characteristic Curve Table 14

### Heißleiter / Thermistor 92-027-063

### Teil / Section 1

Temp. °C	Geber / Sensor		
	R (Ohm)	± Tol (%)	± Tol (Ohm)
-35.0	42262.95	15.42	6515.34
-30.0	31137.77	15.20	4732.21
-25.0	23219.79	14.99	3481.09
-20.0	17512.24	14.80	2592.05
-15.0	13347.82	14.63	1952.27
-10.0	10275.77	14.47	1487.11
-5.0	7984.93	14.34	1145.04
.0	6259.39	14.23	890.83
5.0	4947.11	14.15	699.97
10.0	3940.41	14.10	555.45
15.0	3161.47	14.07	444.95
20.0	2553.96	14.08	359.70
25.0	2079.11	14.19	295.02
30.0	1702.75	14.33	244.01
35.0	1402.59	14.50	203.31
40.0	1161.68	14.69	170.60
45.0	967.22	14.90	144.08
50.0	808.98	15.16	122.68
55.0	679.30	15.41	104.68
60.0	572.84	15.70	89.95
65.0	485.03	15.94	77.31
70.0	412.37	16.21	66.83
75.0	352.10	16.40	57.73
80.0	301.84	16.60	50.10
85.0	259.92	16.68	43.34
90.0	224.71	16.75	37.64
95.0	195.18	16.69	32.57
100.0	170.18	16.61	28.27
105.0	149.07	16.38	24.42
110.0	131.05	16.15	21.17
115.0	115.72	15.78	18.26
120.0	102.55	15.39	15.78
125.0	91.25	14.91	13.60

weiter siehe Seite / more see page 17

# Temperatursensor / Temperature Sensor

## Kennlinie-Tabelle / Characteristic Curve Table 14

### Heißleiter / Thermistor 92-027-063

### Teil / Section 2

Temp. °C	Geber / Sensor		
	R (Ohm)	± Tol (%)	± Tol (Ohm)
130.0	81.41	14.46	11.77
135.0	72.90	13.91	10.14
140.0	65.44	13.39	8.76
145.0	58.93	12.79	7.54
150.0	53.35	12.03	6.42
155.0	48.42	11.56	5.59
160.0	44.05	11.09	4.88
165.0	40.17	10.61	4.26
170.0	36.68	10.19	3.74
175.0	33.57	9.73	3.27
180.0	30.76	9.33	2.87
185.0	28.23	8.89	2.51
190.0	25.97	8.43	2.19
195.0	23.93	8.02	1.92
200.0	22.10	7.58	1.67
205.0	20.44	7.20	1.47
210.0	18.92	6.93	1.31
215.0	17.52	6.85	1.20
220.0	16.24	6.81	1.11
225.0	15.07	6.74	1.02
230.0	14.01	6.61	.93
235.0	13.06	7.11	.93
240.0	12.19	7.63	.93
245.0	11.39	8.15	.93
250.0	10.65	8.68	.92

**Prüfmedium /**  
**Test fluid:**  
**Silikonöl / Silicon oil**

# Temperatursensor / Temperature Sensor

## Kennlinie-Tabelle / Characteristic Curve Table 15

### Heißleiter / Thermistor 92-027-126

Temp. °C	Geber / Sensor		
	R (Ohm)	± Tol (%)	± Tol (Ohm)
-40.0	49089.59	11.43	5609.48
-35.0	34454.74	10.97	3778.40
-30.0	24445.25	10.57	2583.24
-25.0	17524.57	10.21	1788.66
-20.0	12687.10	9.92	1258.67
-15.0	9271.93	9.69	898.58
-10.0	6837.60	9.51	650.26
-5.0	5086.33	9.40	478.28
.0	3815.65	9.31	355.12
5.0	2886.81	9.26	267.34
10.0	2202.95	9.22	203.11
15.0	1696.02	9.11	154.46
20.0	1317.86	8.95	117.94
25.0	1036.32	8.99	93.13
30.0	822.74	8.91	73.34
35.0	659.37	8.73	57.59
40.0	533.28	8.49	45.27
45.0	435.01	8.16	35.48
50.0	357.67	7.77	27.81
55.0	296.22	7.39	21.89
60.0	246.93	6.98	17.23
65.0	207.06	6.56	13.58
70.0	174.57	6.13	10.71
75.0	147.90	5.75	8.50
80.0	125.88	5.31	6.68
85.0	107.58	5.52	5.94
90.0	92.31	5.68	5.24
95.0	79.52	5.85	4.65
100.0	68.75	6.00	4.13
105.0	59.64	6.17	3.68
110.0	51.92	6.35	3.30
115.0	45.35	6.53	2.96
120.0	39.73	6.69	2.66
125.0	34.92	6.87	2.40
130.0	30.79	7.07	2.18
135.0	27.22	7.26	1.98
140.0	24.14	7.44	1.80

**Prüfmedium /  
Test fluid:  
Glycol**

# Temperatursensor / Temperature Sensor

## Kennlinie-Tabelle / Characteristic Curve Table 16

### Heißleiter / Thermistor 92-027-029-3901

Widerstandswerte mit Prüfschaltung gemäß  
Kundenzeichnung /  
Resistance values with test circuit according  
to customer drawing

Temp. °C	Geber / Sensor		
	R (Ohm)	± Tol (%)	± Tol (Ohm)
-40.0	5848.26	.44	25.48
-35.0	5725.69	.50	28.68
-30.0	5574.12	.57	31.65
-25.0	5389.39	.63	34.06
-20.0	5174.01	.69	35.60
-15.0	4927.41	.71	35.08
-10.0	4658.61	.71	33.08
-5.0	4372.59	.69	30.08
.0	4082.00	.64	26.00
5.0	3794.36	.68	25.83
10.0	3520.31	.72	25.25
15.0	3262.42	.74	24.26
20.0	3029.33	.76	22.92
25.0	2823.37	.82	23.25
30.0	2643.73	.87	23.01
35.0	2486.95	.90	22.41
40.0	2353.45	.91	21.48
45.0	2239.89	.91	20.30
50.0	2144.43	.89	19.03
55.0	2063.97	.85	17.64
60.0	1996.72	.82	16.30
65.0	1940.11	.77	14.96
70.0	1892.86	.72	13.71
75.0	1853.26	.67	12.44
80.0	1820.12	.62	11.30
85.0	1792.21	.58	10.43

Widerstandswerte ohne Prüfschaltung  
Widerstandskennlinie direkt am Sensor gemessen /  
Resistance values without test circuit  
Resistance values measured direct on the sensor

Temp. °C	Geber / Sensor		
	R (Ohm)	± Tol (%)	± Tol (Ohm)
-40.0	100377.66	6.47	6496.80
-35.0	72432.89	5.70	4127.20
-30.0	52945.69	5.03	2665.47
-25.0	39018.07	4.44	1730.99
-20.0	29093.27	3.91	1138.43
-15.0	21844.20	3.33	727.59
-10.0	16579.81	2.79	463.40
-5.0	12674.11	2.33	295.15
.0	9783.62	1.89	184.96
5.0	7608.21	1.88	142.89
10.0	5968.77	1.89	112.63
15.0	4704.49	1.92	90.41
20.0	3738.01	1.97	73.64
25.0	2995.07	2.25	67.52
30.0	2417.28	2.53	61.24
35.0	1958.66	2.83	55.45
40.0	1597.77	3.12	49.92
45.0	1309.95	3.41	44.62
50.0	1080.60	3.69	39.84
55.0	895.58	3.96	35.42
60.0	746.40	4.23	31.54
65.0	624.54	4.48	27.99
70.0	525.30	4.74	24.88
75.0	443.84	4.93	21.88
80.0	376.80	5.12	19.31
85.0	321.13	5.41	17.37

Prüfmedium /

Test fluid:

Silikonöl M5 / Silicon oil M5



# Temperatursensor / Temperature Sensor

## Kennlinie-Tabelle / Characteristic Curve Table 17

### Heißleiter / Thermistor 92-027-106

Temp. °C	Geber / Sensor		
	R (Ohm)	± Tol (%)	± Tol (Ohm)
-40.0	168093.30	7.47	12560.47
-35.0	121029.12	7.14	8643.73
-30.0	88317.66	6.82	6021.00
-25.0	64989.19	6.60	4286.48
-20.0	48401.40	6.38	3087.91
-15.0	36313.93	6.11	2220.28
-10.0	27541.68	5.85	1610.30
-5.0	21040.55	5.68	1195.06
.0	16232.97	5.51	894.73
5.0	12608.31	5.29	666.74
10.0	9881.91	5.06	499.56
15.0	7796.08	4.81	374.99
20.0	6201.36	4.56	282.59
25.0	4965.97	4.45	220.76
30.0	4002.83	4.23	169.22
35.0	3244.88	3.95	128.24
40.0	2648.25	3.68	97.35
45.0	2172.41	3.45	74.87
50.0	1793.05	3.22	57.68
55.0	1486.82	3.29	48.91
60.0	1239.77	3.37	41.73
65.0	1037.84	3.59	37.30
70.0	873.28	3.82	33.39
75.0	738.12	3.96	29.22
80.0	626.83	4.09	25.66
85.0	534.39	4.18	22.33
90.0	457.57	4.27	19.53
95.0	393.20	4.41	17.33
100.0	339.26	4.55	15.43
105.0	293.70	4.59	13.48
110.0	255.21	4.64	11.83
115.0	222.47	4.88	10.86
120.0	194.59	5.13	9.98
125.0	170.71	5.22	8.92
130.0	150.24	5.32	7.99
135.0	132.59	5.47	7.25
140.0	117.36	5.62	6.59
145.0	104.15	5.86	6.11
150.0	92.68	6.11	5.66

**Prüfmedium /**

**Test fluid:**

**Silikonöl M5 / M20**

**Silicon oil M5 / M20**

# Temperatursensor / Temperature Sensor

## Kennlinie-Tabelle / Characteristic Curve Table 18

### Heißleiter / Thermistor 92-027-121

Temp. °C	Geber / Sensor		
	R (Ohm)	± Tol (%)	± Tol (Ohm)
-30.0	2598.34	41	10.68
-25.0	2573.55	51	13.12
-20.0	2541.52	63	16.04
-15.0	2501.37	78	19.46
-10.0	2451.97	95	23.33
-5.0	2392.29	1.15	27.59
.0	2321.57	1.38	32.11
5.0	2237.74	1.64	36.72
10.0	2142.11	1.92	41.12
15.0	2034.45	2.22	45.10
20.0	1916.98	2.52	48.32
25.0	1791.62	2.86	51.16
30.0	1660.49	3.19	52.94
35.0	1526.20	3.46	52.83
40.0	1392.31	3.70	51.56
45.0	1260.61	3.88	48.89
50.0	1134.37	4.01	45.45
55.0	1014.70	4.12	41.79
60.0	903.63	4.19	37.83
65.0	801.29	4.25	34.02
70.0	708.60	4.27	30.24
75.0	625.05	4.25	26.59
80.0	550.68	4.21	23.18
85.0	484.48	4.18	20.25
90.0	426.21	4.12	17.58
95.0	374.99	4.01	15.03
100.0	330.17	3.87	12.78
105.0	291.07	3.72	10.84
110.0	256.99	3.57	9.18
115.0	226.85	3.44	7.81
120.0	200.63	3.31	6.64
125.0	177.44	3.54	6.28
130.0	157.24	3.76	5.92
135.0	139.62	3.99	5.57
140.0	124.25	4.21	5.24
145.0	110.80	4.44	4.92
150.0	99.01	4.66	4.61

**Prüfmedium /  
Test fluid:  
Glycoshell**

# Temperatursensor / Temperature Sensor

## Kennlinie-Tabelle / Characteristic Curve Table 19

### Heißleiter / Thermistor 92-027-010

Temp. °C	Geber / Sensor		
	R (Ohm)	± Tol (%)	± Tol (Ohm)
-30.0	6494.33	13.29	862.90
-25.0	4648.88	13.08	607.86
-20.0	3369.82	12.89	434.40
-15.0	2471.21	12.74	314.78
-10.0	1831.83	12.61	230.98
-5.0	1371.63	12.52	171.69
.0	1036.68	12.47	129.24
5.0	790.38	12.45	98.41
10.0	607.53	12.47	75.74
15.0	470.63	12.52	58.92
20.0	367.31	12.59	46.24
25.0	289.19	12.68	36.67
30.0	229.32	12.75	29.24
35.0	183.20	12.82	23.48
40.0	147.46	12.84	18.94
45.0	119.63	12.75	15.25
50.0	97.83	12.57	12.29
55.0	80.64	13.80	11.13
60.0	67.01	14.92	10.00
65.0	56.10	14.35	8.05
70.0	47.32	13.71	6.49
75.0	40.18	13.03	5.23
80.0	34.42	12.23	4.21
85.0	29.68	11.53	3.42
90.0	25.59	10.98	2.81
95.0	22.13	10.67	2.36
100.0	19.25	10.33	1.99
105.0	16.83	10.28	1.73
110.0	14.76	10.24	1.51
115.0	12.99	10.22	1.33
120.0	11.46	10.21	1.17
125.0	10.15	10.77	1.09
130.0	9.01	11.34	1.02
135.0	8.02	11.93	.96
140.0	7.15	12.54	.90
145.0	6.40	13.16	.84
150.0	5.73	13.79	.79

**Prüfmedium /  
Test fluid:  
Glycoshell**

# Temperatursensor / Temperature Sensor

## Kennlinie-Tabelle / Characteristic Curve Table 20

### Heißleiter / Thermistor 92-027-011

Temp. °C	Geber / Sensor		
	R (Ohm)	± Tol (%)	± Tol (Ohm)
-40.0	36563.56	14.26	5212.38
-35.0	26284.63	13.87	3645.02
-30.0	19149.20	13.48	2581.56
-25.0	14127.68	13.11	1851.71
-20.0	10540.68	12.77	1346.27
-15.0	7721.35	12.60	972.85
-10.0	5720.88	12.45	712.14
-5.0	4284.03	12.32	527.68
.0	3240.18	12.21	395.75
5.0	2473.60	12.13	300.01
10.0	1905.87	12.05	229.70
15.0	1486.65	12.10	179.88
20.0	1168.64	12.17	142.19
25.0	926.71	12.25	113.52
30.0	739.98	12.34	91.32
35.0	594.90	12.43	73.97
40.0	481.53	12.51	60.26
45.0	392.57	12.36	48.51
50.0	322.17	12.17	39.20
55.0	266.19	11.97	31.87
60.0	221.17	11.77	26.02
65.0	184.72	11.60	21.42
70.0	155.29	11.36	17.64
75.0	131.38	11.00	14.45
80.0	112.08	10.48	11.75
85.0	96.40	10.00	9.64
90.0	82.96	9.68	8.03
95.0	71.44	9.32	6.66
100.0	61.92	8.87	5.49
105.0	54.01	8.45	4.56
110.0	47.24	8.07	3.81
115.0	41.42	7.73	3.20
120.0	36.51	7.32	2.67
125.0	32.38	7.36	2.38
130.0	28.81	7.41	2.13
135.0	25.70	7.76	1.99
140.0	23.00	8.09	1.86
145.0	20.66	8.36	1.73
150.0	18.59	8.66	1.61
155.0	16.74	8.85	1.48
160.0	15.11	9.04	1.37
165.0	13.66	9.24	1.26
170.0	12.38	9.46	1.17
175.0	11.25	9.67	1.09
180.0	10.24	9.90	1.01

**Prüfmedium /  
Test fluid:  
Glycoshell**