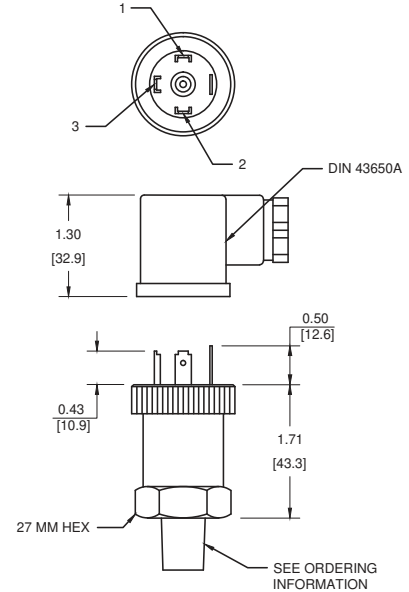




**Sensing Element: Ceramic**



### Wiring Data Information

DIN Electrical Connections PIN Function				
Signal Output	Pin 1	Pin 2	Pin 3	Pin 4
mA	Supply V+	Output	N/A	N/A
V	Supply V+	Output	Common	N/A

The UTS pressure transducer is a compact, heavy duty constructed design suitable for many applications in the machine construction, process control, hydraulic, mobile hydraulic, pneumatic systems, pumps and compressors, gas tank pressure monitoring, industrial test and control.

#### ELECTRICAL:

(See Ordering Information)  
 Output: 4 - 20 mA (2 wire)  
 0 - 5V, 0 - 10V, 0.5 - 4.5V, 1 - 5V (3 Wire)  
 Supply: 12 - 36 VDC

#### PROTECTION:

Exposed Terminals – IP00  
 DIN HC - IP65

#### PRESSURE RANGE:

0 to 6,000 PSI  
 (0 to 414 Bar)

#### OPERATE TEMPERATURE:

-40° to 195°F (-40° to 85°C)

#### STORAGE TEMPERATURE:

-40° to 212°F (-40° to 100°C)

#### COMPENSATION TEMPERATURE:

32° to 158°F (0° to 70°C)

#### ACCURACY:

± 0.5% (Full Scan)

#### RESPONSE TIME:

<10 milliseconds

#### OVERLOAD PRESSURE:

150% Full Scan

#### INSULATION:

>100m Ω@ 50V

#### MATERIAL:

Wetted Area: Ceramic  
 Body: 304 Stainless Steel

#### MEDIUM COMPATIBILITY:

Corrosive medium compatible with Cr18Ni9Ti, and ceramic

### ORDERING INFORMATION

UTS	- A	- 0/3000	- 4M	- HC
Model	Type	Pressure Range	Connection	Options
UTS	A: 4 - 20 mA (2 wire) B: 0 - 5V (3 wire) C: 0 - 10V (3 wire) D: 0.5 - 4.5 (3 wire) E: 1 - 5V (3 wire)	Specify Pressure Range Required  <i>Note: Standard Ranges</i> 0/100 PSI, 0/300 PSI, 0/600 PSI, 0/1500 PSI, 0/3000 PSI, 0/5000 PSI, 0/6000 PSI <b>Consult Factory for Other Ranges</b>	4M - 1/4" NPT 4S - 7/16 X 20 SAE Male 4G - 1/4" BSPP*  * Non-standard	H - DIN 43650A Male Half Only HC - DIN 43650A Cable Clamp HN - DIN 43650A 1/2" Conduit (female) HCC - 36" Cable HC11A - DIN Light NO/NC 110V HC11B - DIN Light NO/NC 12VDC HC11C - DIN Light NO/NC 24VDC HC11D - Indicating Light Green/Red