

Off-Highway Technology

Surround view EasyFit

Document Version 2.0 / Date: 04.05.2017



Product benefits

- ▶ Improves safety for personnel and equipment
- ▶ Increased efficiency by easier maneuvering
- ▶ 12 and 24V capable
- ▶ Quick customizing for single vehicles
- ▶ Eye-catcher functionality
- ▶ Reduced cost of ownership by damage prevention
- ▶ IP69K camera
- ▶ Customizable view modes

1 EasyFit camera

2 Protected connectors

3 EasyFit control unit

Task Bosch surround view EasyFit helps assist the vehicle driver in maneuvering in tight areas, preventing harm to living beings and damage to equipment around the vehicle as well as allowing easier and more comfortable operation of the machine. Thereby, total cost of ownership is reduced by damage cost prevention and increased machine efficiency.

Function 4 ultra-wide-angle cameras capture the environment around the vehicle and a combined surround view image is generated on a dedicated control unit. With a quick and easy calibration algorithm, the system can be introduced to many machines with almost no engineering effort and also be retrofitted to existing machine fleets.

EasyFit provides a video stream in PAL or NTSC format, which can be displayed on any monitor with corresponding video inputs. On this video stream, EasyFit provides a total of 10 different views in landscape mode or 7 different views in portrait setup. These views can be selected by the driver's request or activated based on definable input signals.

System characteristics

| | |
|------------------------------------|--|
| Operating temperature range | -30° C to +75° C |
| Storage temperature | -40° C to +85° C |
| Supply voltage range | 6 to 32 V |
| Current consumption at 12V | < 1.23 A |
| Trigger interface | 3 digital inputs (for switching views) |
| Video output | PAL or NTSC |
| Surround view type | 2D flat pane top view |
| Available view modes | Landscape - 10 views Portrait - 7 views |
| Control unit dimensions | 148 x 109 x 30 mm |

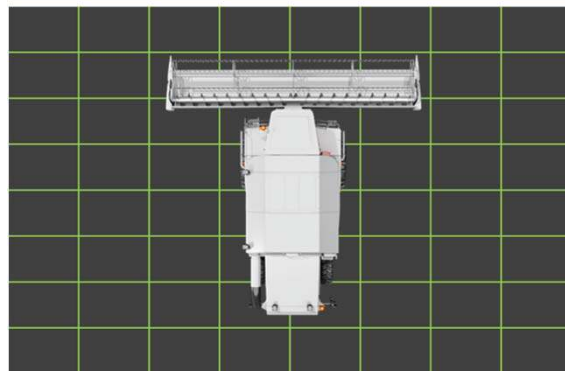
360 degrees

Views around a vehicle can be generated using four ultra-wide-angle cameras and a very simple calibration procedure

Camera characteristics

| | |
|-------------------------------|----------------------------------|
| Camera field of view | 185° horizontal 142° vertical |
| Imager type | VGA CMOS 1/3.7" |
| Output format | NTSC 1.0Vp-p, 75Ω |
| Light sensitivity | 0.5 lux to 100,000 lux |
| White balance | Automatic |
| Supply voltage | 5.2V via control unit |
| Signal to noise ratio | 63 dB |
| Size (without bracket) | 21 x 21 x 21 mm |
| Connector type | IP69K connector with 1m cable |

2D flat pane surround view



Calibration details

See technical customer documentation F026CT0110 in latest version.