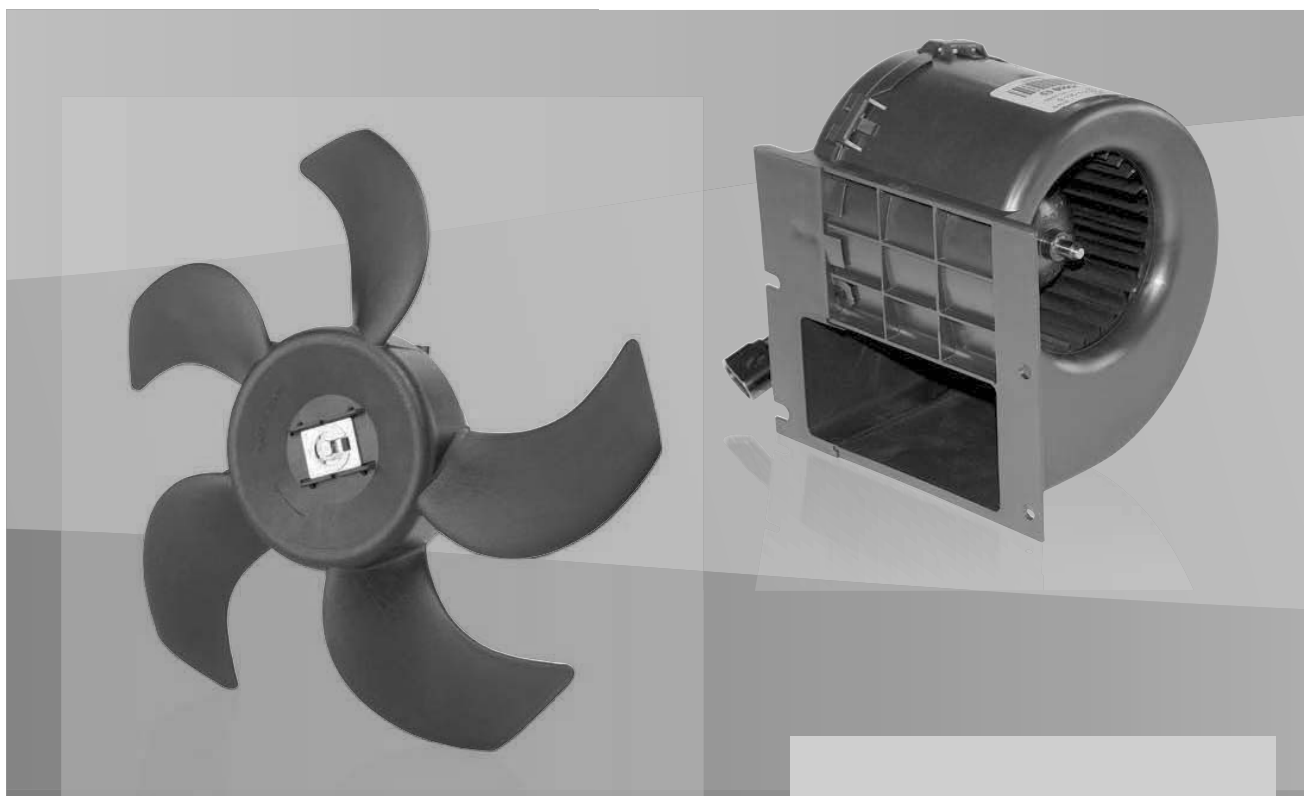


Blowers and Fans with DC motors



As one of the largest manufacturer of electric motors in Europe, Bosch provides a comprehensive range of blower and engine-cooling products for every output range. Our blower range consists of single or multiple-stage suction or pressure blowers. The delivery range encompasses radial and axial-type blowers for 12 V and 24 V. The blowers are designed for operating mode S1 (continuous operation).

The modules are available with brush-type motors or as brushless drives. The compact design of the modules means that they can be easily installed in areas where space is at a premium.

Automotive applications

Heating, ventilation, air-conditioning and engine cooling, cooler blowers in general

Industrial applications

Ventilation, off-highway, smart home

Product features

- ▶ Wide range of blowers and fans
- ▶ DC voltage range 12 V / 24 V
- ▶ Axial and radial-type blowers available
- ▶ RPM control

Advantages for your application

- ▶ Low noise emission
- ▶ High efficiency
- ▶ Low weight
- ▶ Favorable price/performance ratio

GBM-S

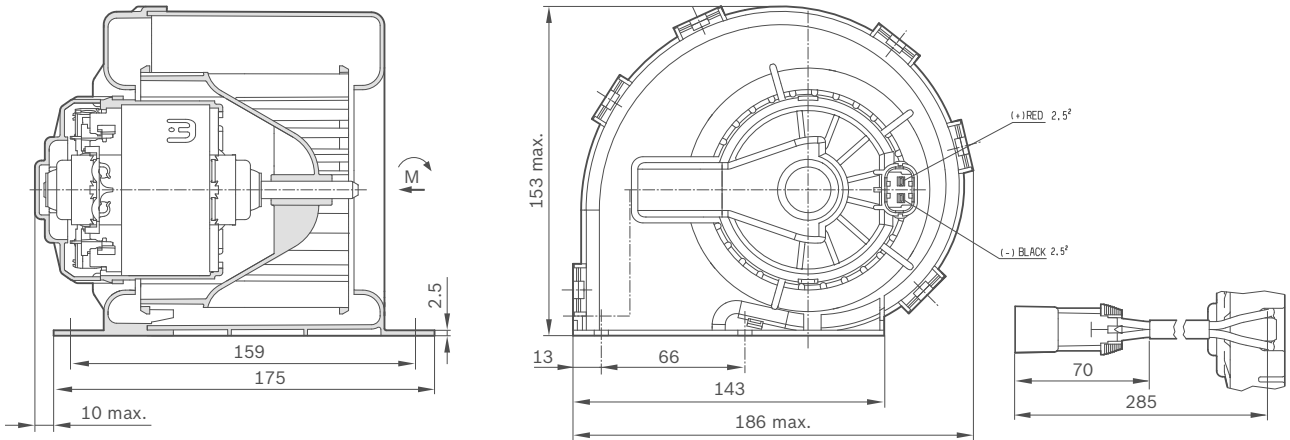


Family features:

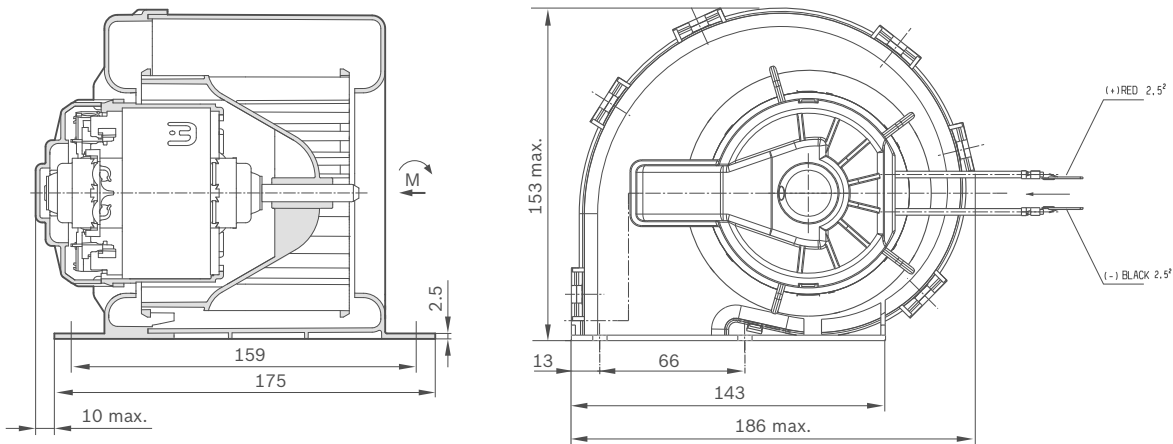
- ▶ 12/24 V ventilation module
- ▶ Optimized noise performance
- ▶ High power density
- ▶ Operation mode: S1
- ▶ Degree of protection: IP 13

Voltage	Part number	Flow rate	Pressure difference	In (Nominal current)	nn (Nominal speed)	Direction of rotation	Signal	Dimensional drawing (D)	Wiring diagram (W)	Connector (C)	Performance curve (P)
		m3/h	Pa	A	rpm		Hall				
12 V	0 130 115 604	400	470	14	4468	CW	No	D1	W1	C1	P1
24 V	0 130 115 753	400	470	8	4468	CW	No	D2	W2	C2	P2

D1

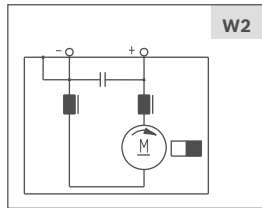
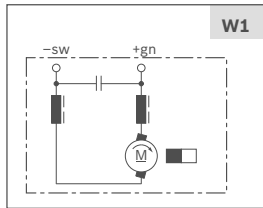


D2



GBM-S

Wiring diagram (W)



Mating connector (C)

C1

Housing: Lisi F513A
 Locker: -
 Terminal: TE 964308-1

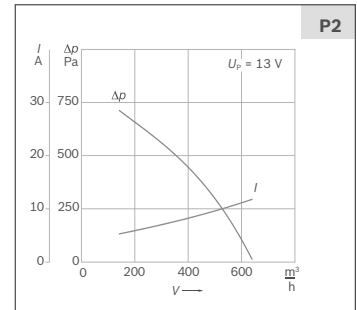
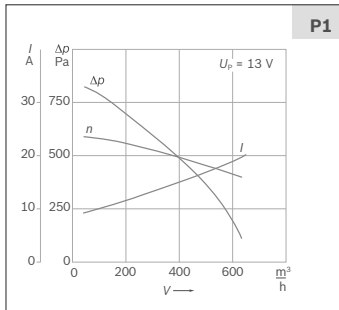
Black (-) Red (+)

C2

Housing: -
 Locker: -
 Terminal: -

Black (-) Red (+)

Performance curve (P)



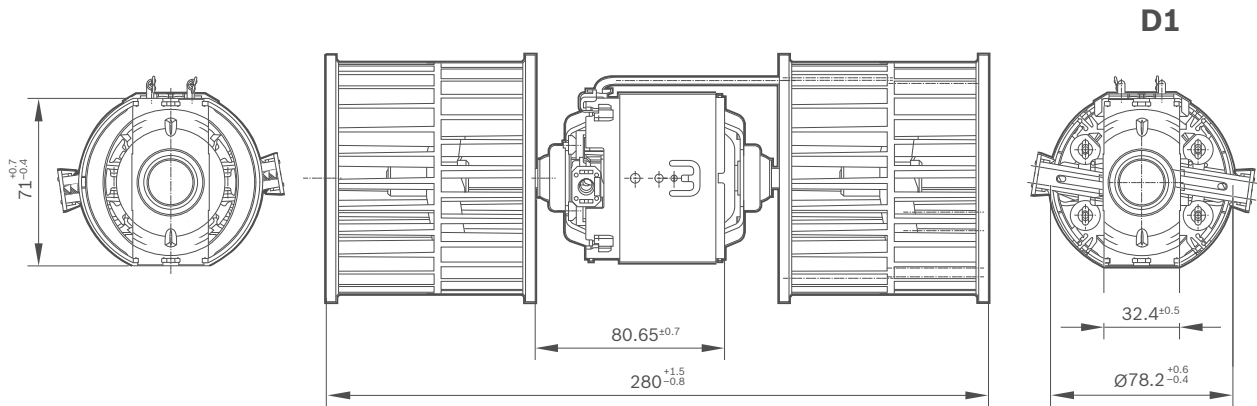
GBM-M



Family features:

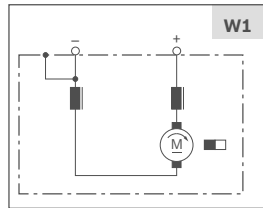
- ▶ 24 V double-radial blower
- ▶ Degree of protection: IP 10
- ▶ Operation mode: S1

Voltage	Part number	Power	I_n Nominal current	n_n (Nominal speed)	Direction of rotation	Signal	Dimensional drawing (D)	Wiring diagram (W)	Performance curve (P)
24 V	F 006 B10 422	128.7	8	4100	CW	Hall No	D1	W1	P1

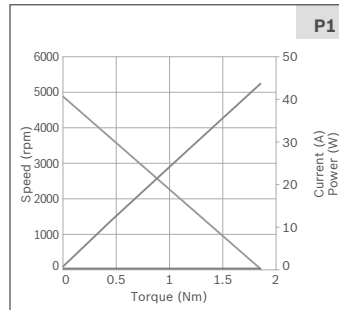


GBM-M

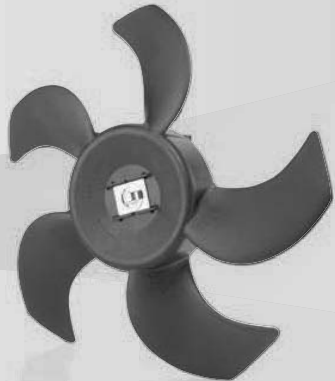
Wiring diagram (W)



Performance curve (P)



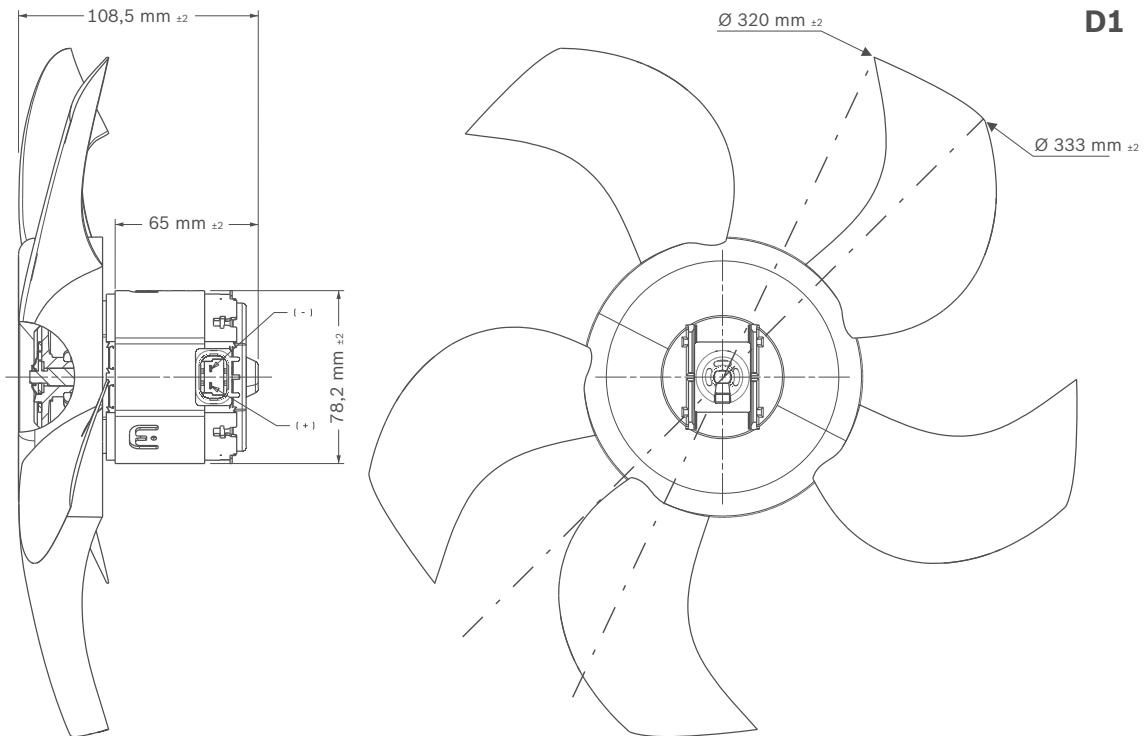
GBX



Family features:

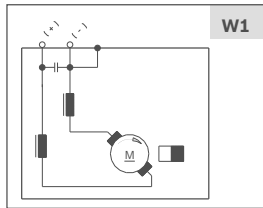
- ▶ 12 V ventilation module
- ▶ Optimized noise performance
- ▶ High power density
- ▶ Operation mode: S1

Voltage	Part number	Power	I _n Nominal current	n _n (Nominal speed)	Direction of rotation	Signal	Dimensional drawing (D)	Wiring diagram (W)	Performance curve (P)
12 V	F 006 B10 441	41.8	6	1815	CW	Hall	D1	W1	P1

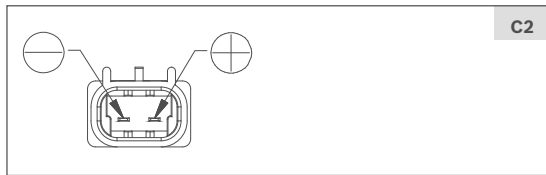


GBX

Wiring diagram (W)



Mating connector (C)



Performance curve (P)

