

BOSCH SWITCHES CATALOG

AA-TR/PAC

Product overview switches

Link to the p/n

- ▶ [0 986 340 100](#)
- ▶ [0 341 500 801](#)
- ▶ [0 341 500 803](#)
- ▶ [0 986 340 001](#)
- ▶ [0 986 340 120](#)
- ▶ [0 343 003 001](#)
- ▶ [0 343 003 004](#)
- ▶ [0 343 003 007](#)
- ▶ [0 343 003 005](#)
- ▶ [0 343 007 001](#)
- ▶ [0 343 013 001](#)
- ▶ [0 343 004 003](#)
- ▶ [0 340 000 001](#)
- ▶ [0 986 340 010](#)
- ▶ [0 341 100 001](#)
- ▶ [0 340 006 004](#)
- ▶ [0 340 006 012](#)
- ▶ [0 340 603 001](#)
- ▶ [0 340 604 001](#)
- ▶ [0 343 101 003](#)
- ▶ [0 343 102 015](#)
- ▶ [0 343 102 024](#)
- ▶ [0 343 102 008](#)
- ▶ [0 343 102 010](#)
- ▶ [0 343 102 011](#)
- ▶ [0 343 107 002](#)
- ▶ [0 340 302 102](#)
- ▶ [0 340 302 103](#)
- ▶ [0 340 302 104](#)
- ▶ [0 340 302 105](#)
- ▶ [0 340 302 106](#)
- ▶ [0 340 302 107](#)
- ▶ [0 340 302 108](#)
- ▶ [0 340 302 109](#)
- ▶ [0 340 302 110](#)
- ▶ [0 340 302 111](#)
- ▶ [0 340 302 112](#)
- ▶ [0 340 302 113](#)
- ▶ [0 340 302 114](#)
- ▶ [0 340 302 115](#)
- ▶ [0 342 307 001](#)
- ▶ [0 342 307 002](#)
- ▶ [0 342 106 012](#)
- ▶ [0 342 106 004](#)
- ▶ [0 342 106 005](#)
- ▶ [0 342 201 010](#)
- ▶ [0 342 201 009](#)
- ▶ [0 342 202 001](#)
- ▶ [0 342 202 002](#)
- ▶ [0 342 203 001](#)
- ▶ [0 342 006 001](#)
- ▶ [0 342 006 003](#)
- ▶ [0 342 006 007](#)
- ▶ [0 342 006 009](#)
- ▶ [0 342 006 020](#)
- ▶ [0 342 311 003](#)
- ▶ [0 342 311 004](#)
- ▶ [0 342 311 006](#)
- ▶ [0 342 311 007](#)
- ▶ [0 342 309 008](#)
- ▶ [0 342 309 020](#)
- ▶ [0 342 309 007](#)
- ▶ [0 342 309 003](#)
- ▶ [0 342 309 006](#)
- ▶ [0 342 309 011](#)
- ▶ [0 342 309 012](#)
- ▶ [0 342 309 005](#)
- ▶ [0 342 309 010](#)
- ▶ [0 341 002 003](#)
- ▶ [0 341 003 004](#)
- ▶ [0 341 001 001](#)
- ▶ [0 343 008 006](#)
- ▶ [0 343 008 007](#)
- ▶ [0 343 008 009](#)
- ▶ [0 343 401 001](#)
- ▶ [0 342 315 001](#)
- ▶ [0 342 315 004](#)
- ▶ [0 342 316 002](#)
- ▶ [0 342 316 003](#)
- ▶ [0 343 405 001](#)
- ▶ [0 343 302 003](#)
- ▶ [0 336 920 004](#)
- ▶ [0 336 920 003](#)
- ▶ [0 341 101 001](#)
- ▶ [0 341 300 002](#)
- ▶ [0 341 600 001](#)
- ▶ [0 341 810 005](#)
- ▶ [0 341 810 013](#)
- ▶ [0 341 810 006](#)
- ▶ [0 341 810 007](#)
- ▶ [0 341 810 008](#)
- ▶ [0 341 810 009](#)
- ▶ [0 341 810 010](#)
- ▶ [0 986 345 202](#)
- ▶ [0 986 345 203](#)
- ▶ [0 986 345 501](#)
- ▶ [0 986 345 503](#)
- ▶ [0 986 345 502](#)
- ▶ [0 986 346 800](#)
- ▶ [0 986 346 700](#)
- ▶ [0 986 346 001](#)
- ▶ [0 986 346 002](#)
- ▶ [0 986 346 003](#)
- ▶ [0 986 346 004](#)
- ▶ [0 986 346 005](#)
- ▶ [0 986 346 006](#)
- ▶ [0 986 346 007](#)
- ▶ [0 986 346 008](#)
- ▶ [0 986 346 009](#)
- ▶ [0 986 346 010](#)
- ▶ [0 986 346 011](#)
- ▶ [0 986 346 012](#)
- ▶ [0 986 346 021](#)
- ▶ [0 986 346 022](#)
- ▶ [0 986 346 023](#)

Product overview switches

Link to the p/n

- ▶ [0 986 346 032](#)
- ▶ [0 986 346 033](#)
- ▶ [0 986 346 034](#)
- ▶ [0 986 346 051](#)
- ▶ [0 986 346 052](#)
- ▶ [0 986 346 053](#)
- ▶ [0 986 346 054](#)
- ▶ [0 986 346 055](#)
- ▶ [0 986 346 056](#)
- ▶ [0 986 346 057](#)
- ▶ [0 986 346 058](#)
- ▶ [0 986 346 059](#)
- ▶ [0 986 346 060](#)
- ▶ [0 986 346 061](#)
- ▶ [0 986 346 062](#)
- ▶ [0 986 346 071](#)
- ▶ [0 986 346 072](#)
- ▶ [0 986 346 073](#)
- ▶ [0 986 346 081](#)
- ▶ [0 986 346 082](#)
- ▶ [0 986 347 005](#)
- ▶ [0 986 347 003](#)
- ▶ [0 986 347 004](#)
- ▶ [0 986 347 002](#)
- ▶ [0 986 344 082](#)
- ▶ [0 986 344 085](#)
- ▶ [0 986 344 090](#)
- ▶ [0 986 344 055](#)
- ▶ [0 986 344 044](#)
- ▶ [0 986 344 032](#)
- ▶ [0 986 344 058](#)
- ▶ [0 986 344 084](#)
- ▶ [0 986 344 051](#)
- ▶ [0 986 344 056](#)
- ▶ [0 986 344 052](#)
- ▶ [0 986 344 033](#)
- ▶ [0 986 344 053](#)
- ▶ [0 986 344 041](#)
- ▶ [0 986 344 040](#)
- ▶ [0 986 344 089](#)
- ▶ [0 986 344 035](#)
- ▶ [0 986 344 077](#)
- ▶ [0 986 344 046](#)
- ▶ [0 986 344 080](#)
- ▶ [0 986 344 036](#)
- ▶ [0 986 344 086](#)
- ▶ [0 986 344 076](#)
- ▶ [0 986 344 087](#)
- ▶ [0 986 344 054](#)
- ▶ [0 986 344 074](#)
- ▶ [0 986 345 007](#)
- ▶ [0 986 345 001](#)
- ▶ [0 986 345 017](#)
- ▶ [0 986 345 000](#)
- ▶ [0 986 345 012](#)
- ▶ [0 986 345 005](#)
- ▶ [0 986 345 008](#)
- ▶ [0 986 345 009](#)
- ▶ [0 986 345 006](#)
- ▶ [0 986 345 003](#)
- ▶ [0 986 345 004](#)
- ▶ [0 986 345 413](#)
- ▶ [0 986 345 408](#)
- ▶ [0 986 345 409](#)
- ▶ [0 986 345 410](#)
- ▶ [0 986 345 414](#)
- ▶ [0 986 345 411](#)
- ▶ [0 986 345 112](#)
- ▶ [0 986 345 114](#)
- ▶ [0 986 345 115](#)
- ▶ [0 986 345 116](#)
- ▶ [0 986 345 110](#)
- ▶ [0 986 345 113](#)
- ▶ [0 986 345 117](#)
- ▶ [0 986 345 119](#)
- ▶ [0 986 345 120](#)
- ▶ [0 986 345 111](#)
- ▶ [0 986 346 409](#)
- ▶ [0 986 346 414](#)
- ▶ [0 986 346 110](#)
- ▶ [0 986 346 112](#)
- ▶ [0 986 346 115](#)
- ▶ [0 986 346 111](#)
- ▶ [0 986 346 119](#)
- ▶ [0 986 346 370](#)
- ▶ [0 986 346 371](#)
- ▶ [0 986 346 372](#)
- ▶ [0 986 346 373](#)
- ▶ [0 986 346 374](#)
- ▶ [0 986 346 375](#)
- ▶ [0 986 346 376](#)
- ▶ [0 986 346 377](#)
- ▶ [0 986 348 001](#)
- ▶ [0 986 348 151](#)
- ▶ [0 986 348 174](#)
- ▶ [0 986 348 301](#)
- ▶ [0 986 348 451](#)
- ▶ [0 986 348 474](#)
- ▶ [0 986 348 711](#)
- ▶ [0 986 348 707](#)
- ▶ [0 986 348 705](#)
- ▶ [0 986 348 708](#)
- ▶ [0 986 348 706](#)
- ▶ [0 986 348 710](#)
- ▶ [0 986 348 703](#)
- ▶ [0 986 348 700](#)
- ▶ [0 986 348 704](#)
- ▶ [0 986 348 709](#)
- ▶ [0 986 348 701](#)
- ▶ [0 986 348 702](#)
- ▶ [0 986 348 618](#)
- ▶ [0 986 348 617](#)
- ▶ [0 986 348 616](#)
- ▶ [0 986 348 615](#)
- ▶ [0 986 348 600](#)
- ▶ [0 986 348 621](#)
- ▶ [0 986 348 601](#)
- ▶ [0 986 348 602](#)
- ▶ [0 986 348 603](#)
- ▶ [0 986 348 604](#)
- ▶ [0 986 348 608](#)
- ▶ [0 986 348 610](#)
- ▶ [0 986 348 609](#)
- ▶ [0 986 348 611](#)
- ▶ [0 986 348 624](#)
- ▶ [0 986 348 623](#)
- ▶ [0 986 348 619](#)
- ▶ [0 986 348 620](#)
- ▶ [0 986 348 606](#)
- ▶ [0 986 348 607](#)
- ▶ [0 986 348 622](#)
- ▶ [0 986 348 605](#)

PH A7743

Product family switches - overview

Universal Switches

from page 8 to 21

Light switches

from page 23 to 27

Hazard-warning switches,
Alarm switches, backup lamp
switches, door contact switch
from page 29 to 49

Headlamp-ignition switches

from page 51 to 60

Ignition switches

from page 62 to 66

Ignition and starting switches

from page 68 to 80

PH A7743

Product family switches - overview

Battery master
switches

from page 82 to 84

Glow-plug and
starting switches

from page 86 to 93

Glow-plug switches
page 95

Motor and
equipment switches

page 97

Wiper switches

from page 99 to 100

Turn-signal
switches

from page 102 to 103

PH A7743

Product family switches - overview

Turn-signal and
combi-switches
from page 105 to 112

Multi-purpose
pressure switches
from page 114 to 118

Universal
pressure switch
from page 120 to 121

Pressure
Switches
from page 123 to 157

Temperature
switches
from page 159 to 162

Oil-pressure warning
switches
from page 164 to 200

Stop lamp switches
from page 202 to 232

Flush-mounted and
indicator switches
from page 234 to 240

Function symbols/
accessories
from page 242 to 275

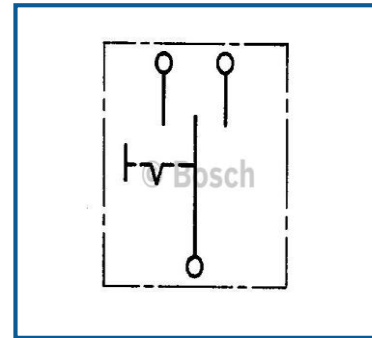
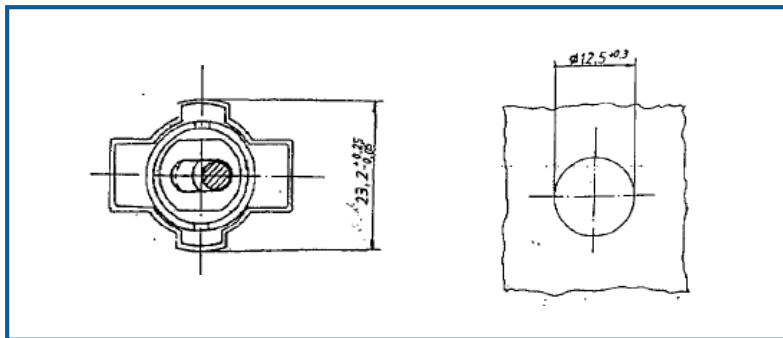
Universal switches

from page 8 to 21

Lever switch Change-over switch (two-way contact with neutral position)

0 986 340 100

Fastening	Fitting	Connection	Capacity	Voltage
Knurled nut M12 x 1	Ø12,5 mm Wall thickness up to 3 mm	Screw terminals	48W	24 V

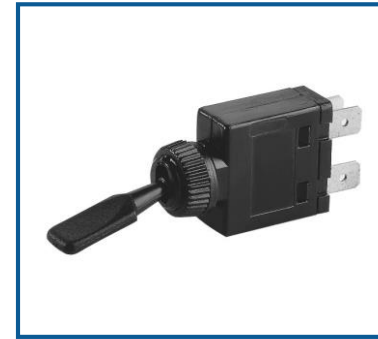
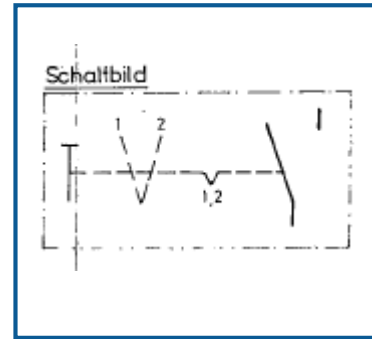
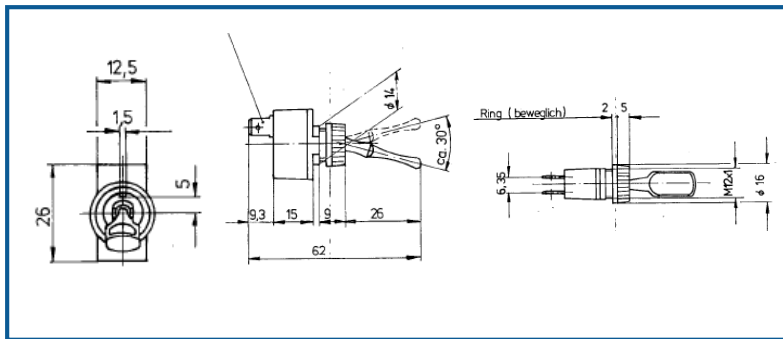


[Back to overview](#)

Lever switch On-off-switch (NO contact)

0 341 500 801

Fastening	Fitting	Connection	Capacity	Voltage
Round nut M12 x 1	Ø12 mm Wall thickness up to 6 mm	Blade Terminal	75W	24 V

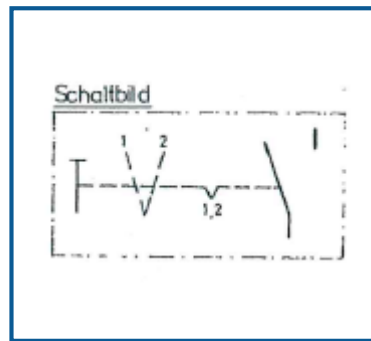
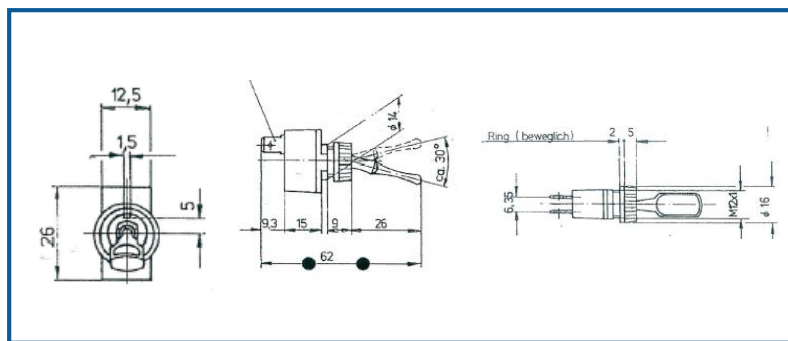


[Back to overview](#)

Lever switch Chance-over switch (Chance-over contact)

0 341 500 803

Fastening	Fitting	Connection	Capacity	Voltage
Round nut M12 x 1	Ø12 mm Wall thickness up to 6 mm	Screw terminals	60 W	24 V

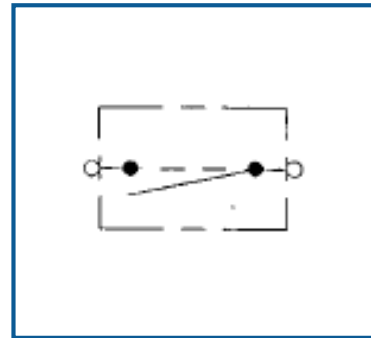
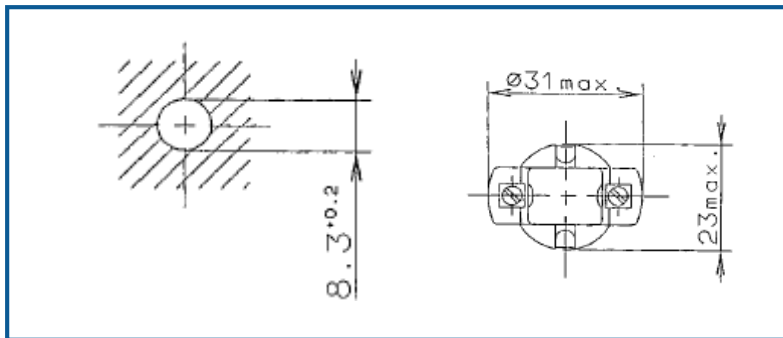


[Back to overview](#)

Push-pull switch On-off switch (NO contact)

0 986 340 001

Fastening	Fitting	Connection	Capacity	Voltage
Knurled nut M8 x 0,75	Ø8,5 mm Wall thickness up to 5 mm	Blade terminals	75W	24 V

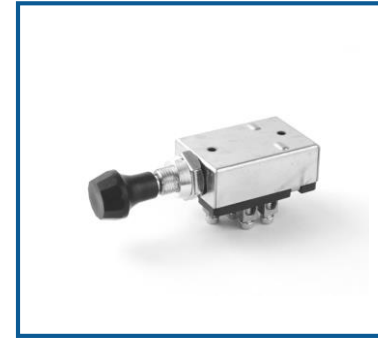
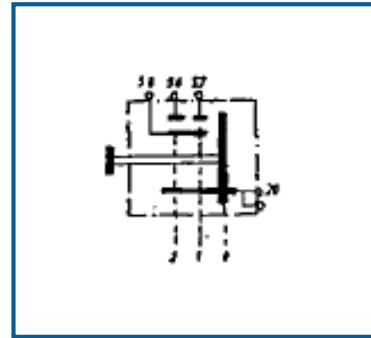
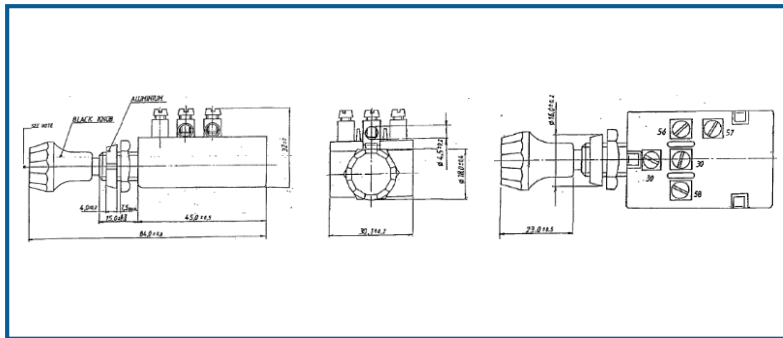


[Back to overview](#)

Push-pull switch multi-position switch

0 986 340 120

Fastening	Fitting	Connection	Capacity	Voltage
Round nut M10 x 1	Ø10,5 mm Wall thickness up to 2 mm	Screw terminals	100 W	24 V

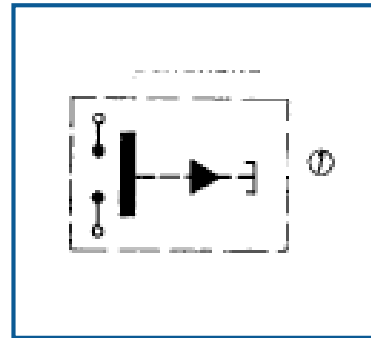
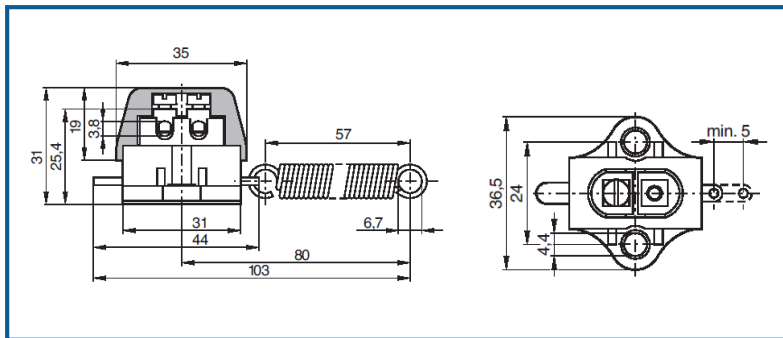


[Back to overview](#)

Momentary push-button NO contact

0 343 003 001

Fastening	Fitting	Connection	Current	Voltage
Octagon nut	Ø22,5 mm Wall thickness up to 6 mm	Screw terminals	30/20/15 A	6/12/24 V

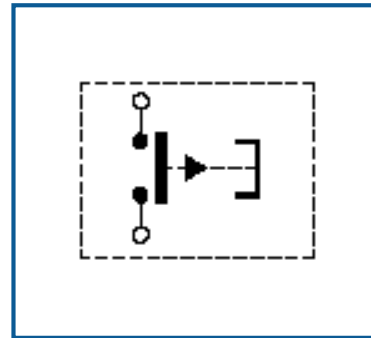
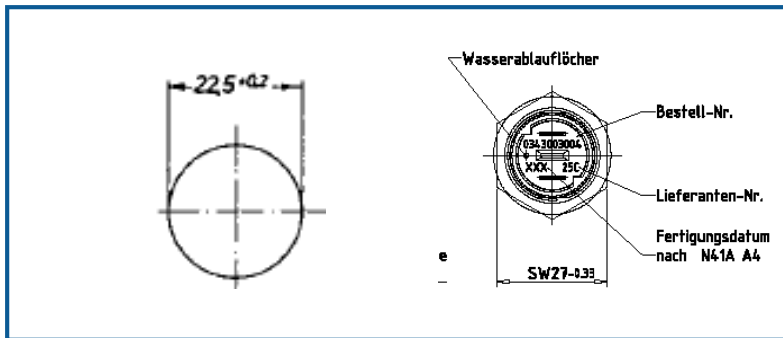


[Back to overview](#)

Momentary push-button NO contact

0 343 003 004

Fastening	Fitting	Connection	Current	Voltage
Octagon nut	Ø22,5 mm Wall thickness up to 6 mm	Blade terminals	30/20/15 A	6/12/24 V

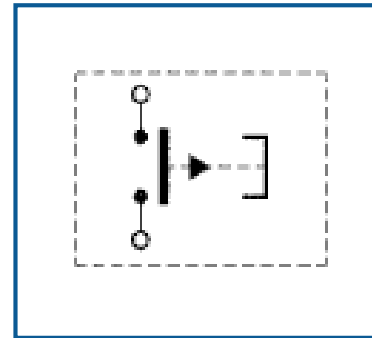
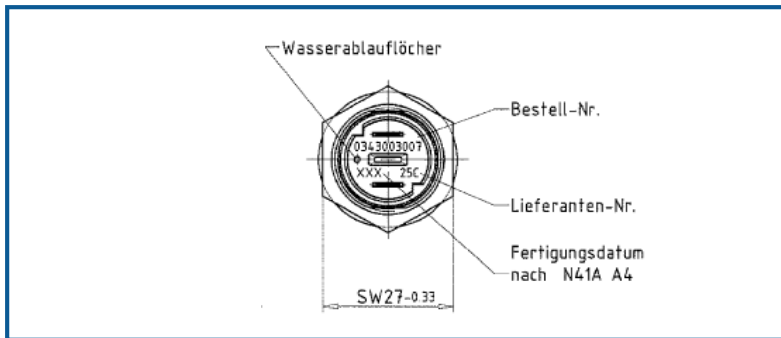


[Back to overview](#)

Momentary push-button NO contact

0 343 003 007

Fastening	Fitting	Connection	Current	Voltage
Octagon nut	Ø22,5 mm Wall thickness up to 6 mm	Blade terminals	30/20/15 A	6/12/24 V

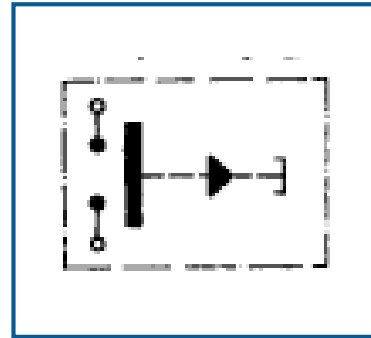
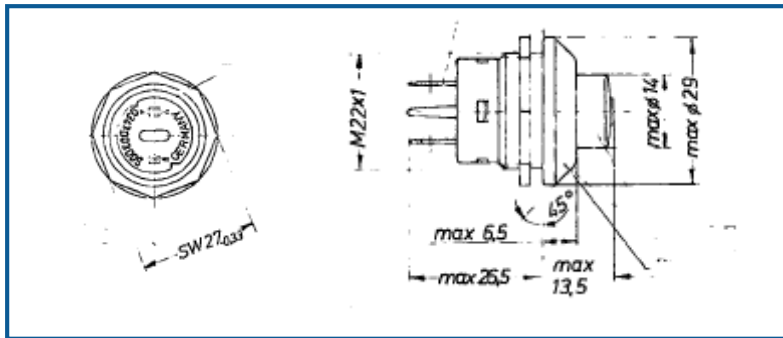


[Back to overview](#)

Momentary push-button NO contact

0 343 003 005

Fastening	Fitting	Connection	Current	Voltage
Octagon nut	Ø22,5 mm Wall thickness up to 6 mm	Blade terminals	30/20/15 A	6/12/24 V

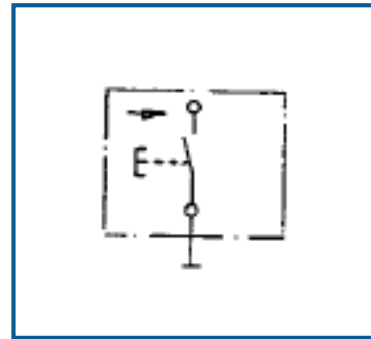
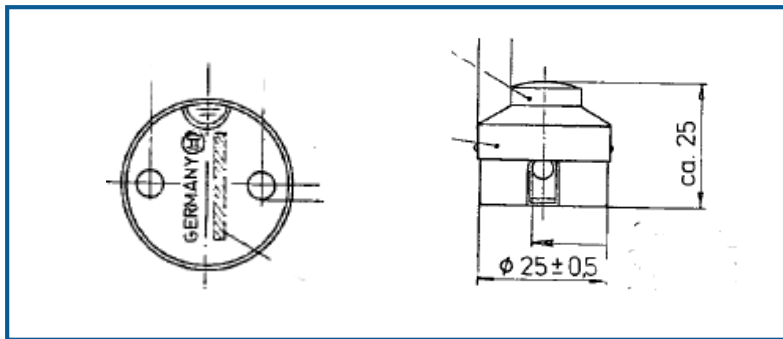


[Back to overview](#)

Momentary push-button NO contact

0 343 007 001

Fastening	Connection	Current	Voltage
2 holes with \varnothing 3,7 mm Hole spacing 17 mm, external \varnothing 26 mm	1 Screw terminal	15/7,5 A	12/24 V

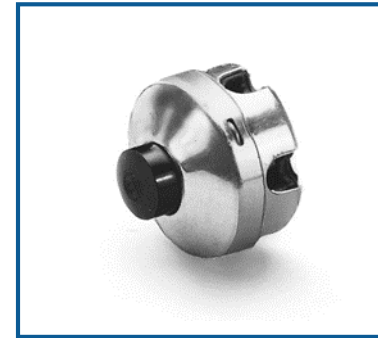
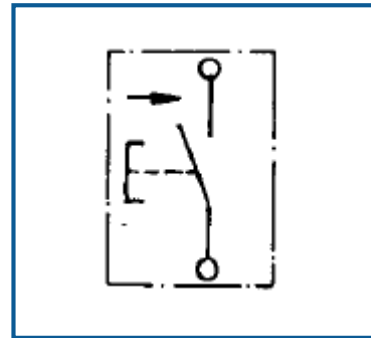
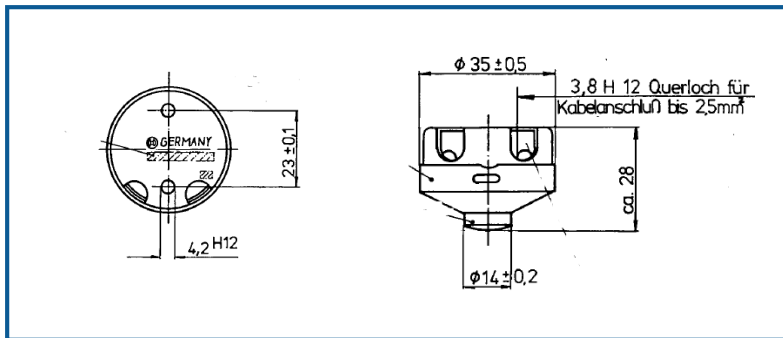


[Back to overview](#)

Momentary push-button NO contact

0 343 013 001

Fastening	Connection	Current	Voltage
2 holes with \varnothing 4,2 mm Hole spacing 23 mm, external \varnothing 35 mm	2 Screw terminals	15/7,5 A	12/24 V

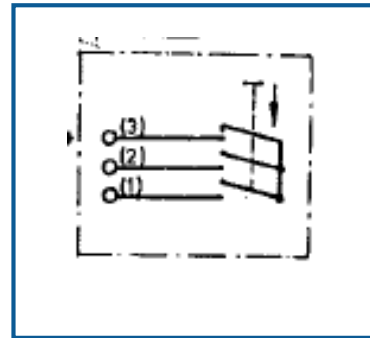
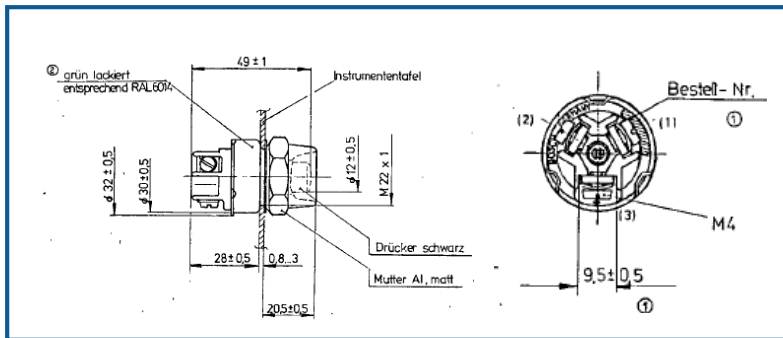


[Back to overview](#)

Momentary push-button NO contacts with two makes

0 343 04 003

Fastening	Fitting	Degree of protection	Connection	Current	Voltage
Hexagon nut	Ø 22,5 mm Wall thickness up to 3 mm	Housing IP 40, Contact chamber IP 64	Screw terminals	26/25/20/100/5 0 A	6/12/24 V

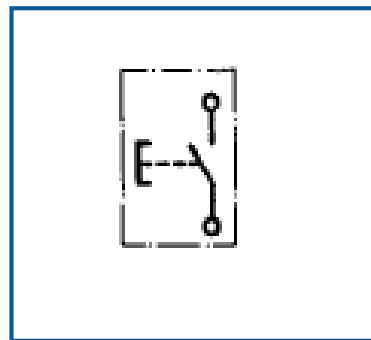
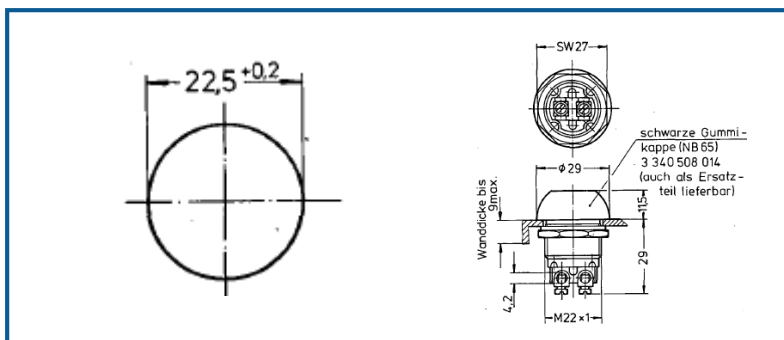


[Back to overview](#)

Momentary push-button NO contact

0 340 000 001

Fastening	Fitting	Degree of protection	Connection	Current	Voltage
Hexagon nut	Ø 22,5 mm Wall thickness up to 9 mm	IP 54	Screw terminals	400/250 W	24 V

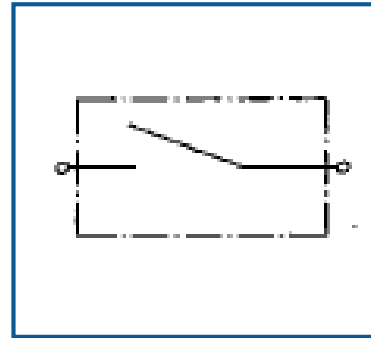
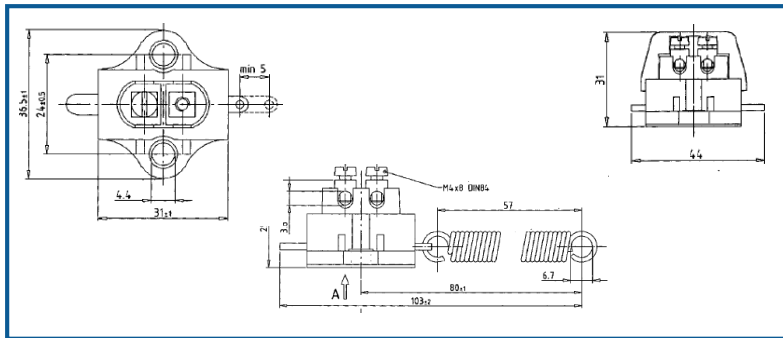


[Back to overview](#)

Mechanical brake-light switch Push pull switch

0 986 340 010

Fastening	Surrounding temperature	Current	Capacity	Voltage
2 Screw terminals M4	-40... +120 °C	7 A	4 x 21 W	12 V



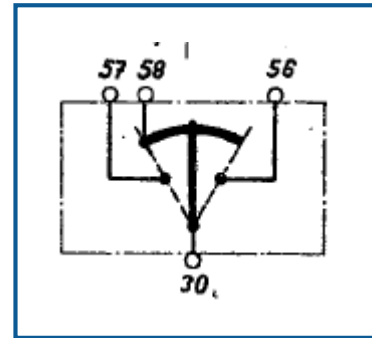
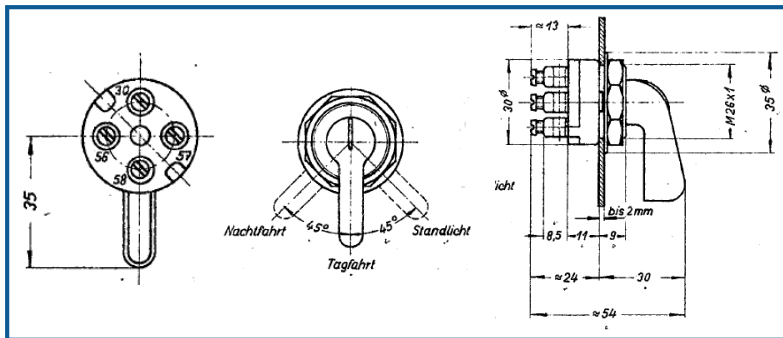
[Back to overview](#)

Light switches

From page 23 to 27

Rotary switch Two-way contact with neutral position 0 341 100 001

Fastening	Fitting	Connection	Capacity	Voltage
Octagon nut M26 x 1	Ø26,5 mm Wall thickness up to 2 mm	Screw terminals	10/90W	12 V

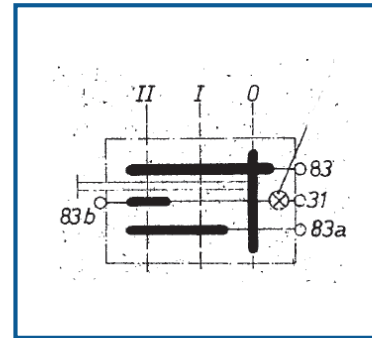
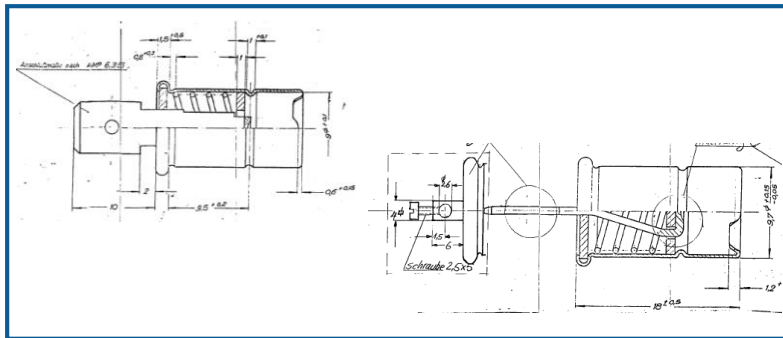


[Back to overview](#)

Push-pull switch Multi-position switch

0 340 006 004

Fastening	Fitting	Connection	Capacity	Voltage
Round nut M14 x 1,5	Ø14,5 mm Wall thickness up to 6,5 mm Without lock nut up to 10,5 mm	Blade terminal	140/35 W	24 V

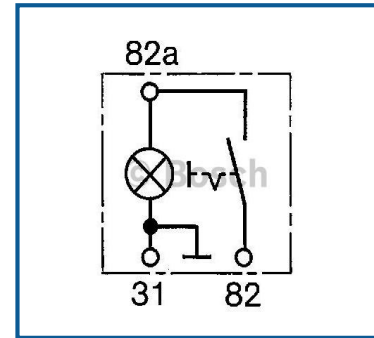
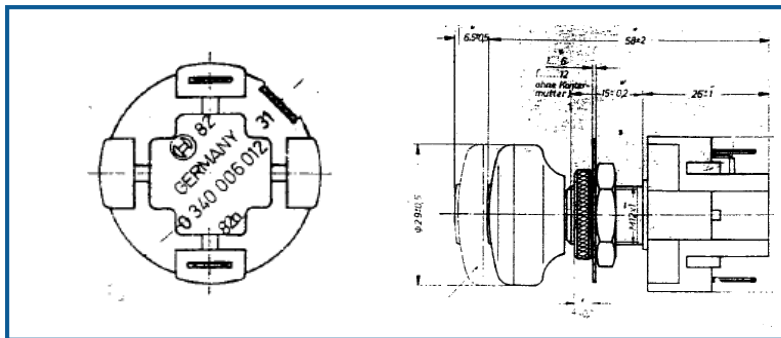


[Back to overview](#)

Push-pull switch On-off switch (NO contact)

0 340 006 012

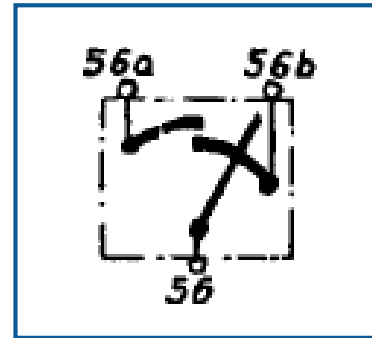
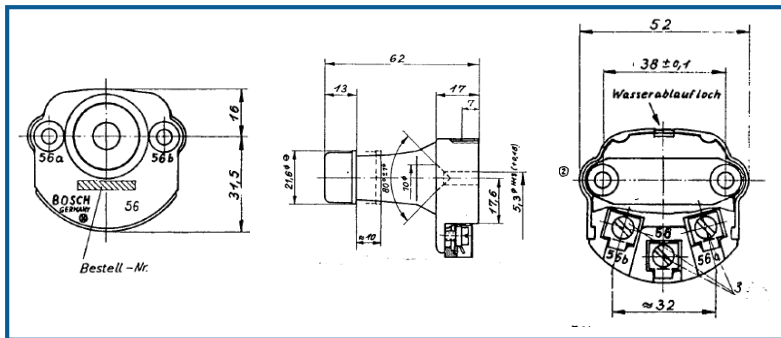
Fastening	Fitting	Connection	Capacity	Voltage
Knurled nut M12 x 1	Ø12,5 mm Wall thickness up to 6 mm	Blade or screw terminals	100 W	24 V



[Back to overview](#)

Foot-operated switch Change-over contact, with detent 0 340 603 001

Fastening	Fitting	Connection	Capacity	Voltage
2 oval-head screws hole \varnothing 5,3 mm with 38 mm hole spacing	From above	Screw terminals	120 W	24 V

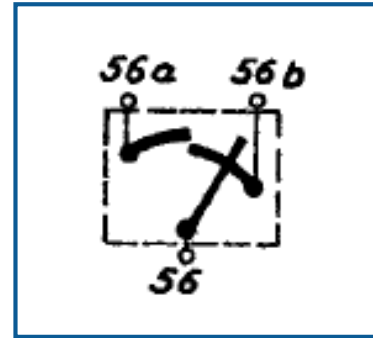
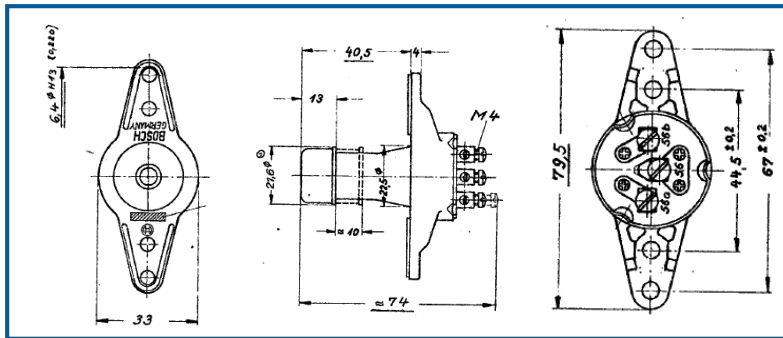


[Back to overview](#)

Foot-operated switch Change-over contact, with detent

0 340 604 001

Fastening	Fitting	Connection	Capacity	Voltage
4 screws, hole \varnothing 6,4 mm with 44,5 mm and 67 mm hole spacing	From the bottom \varnothing 23 mm	Screw terminals	120 W	24 V



[Back to overview](#)

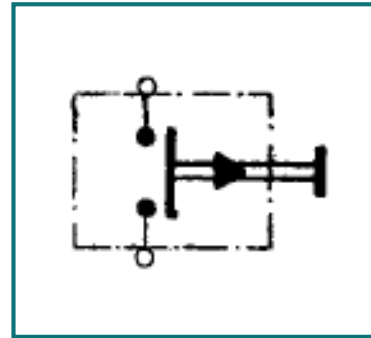
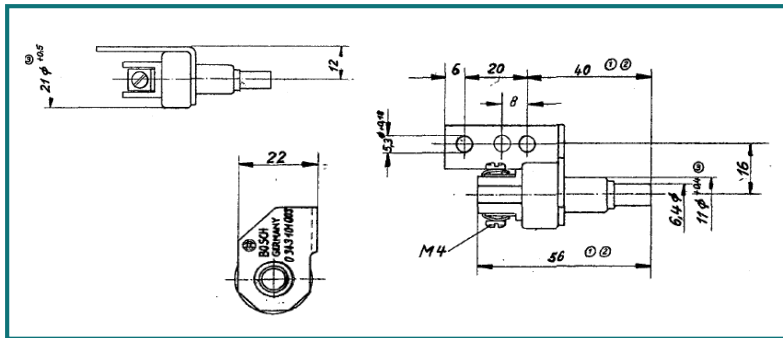
Hazard-warning switches, alarm switch, backup lamp switches, door-contact switch

From page 29 to 49

Backup lamp switches-Plunger switch/NO contact

0 343 101 003

Fastening	Contact travel	Connection	Capacity	Voltage
3 holes \varnothing 5,3 mm hole-spacing: 20mm/ 12mm	Ca. 10 mm	Screw terminals	60 W	24 V

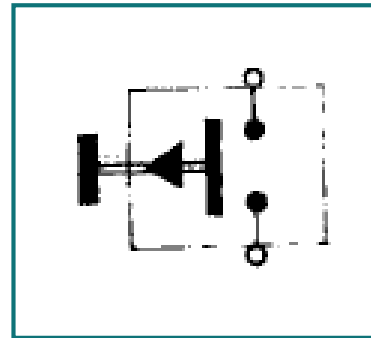
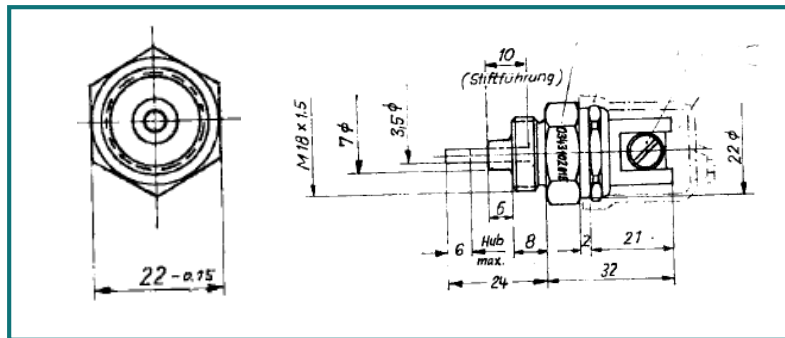


[Back to overview](#)

Backup lamp switches-Plunger switch/NO contact

0 343 102 015

Fastening	Contact travel	Connection	Capacity	Voltage
Screw thread M 18 x 1,5	Ca. 6 mm	Screw terminals	60 W	24 V

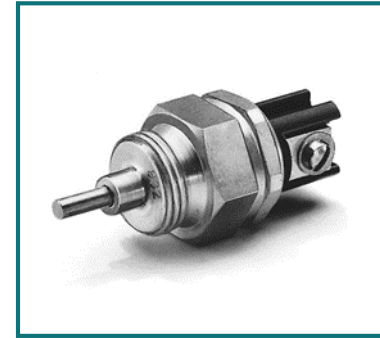
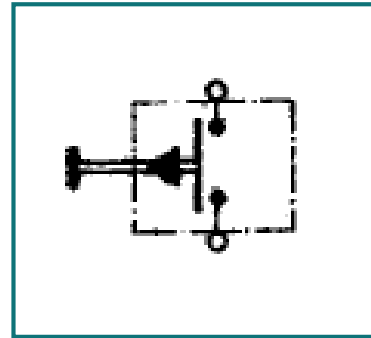
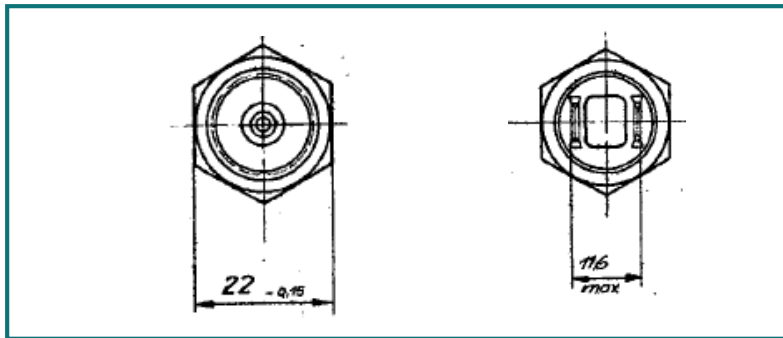


[Back to overview](#)

Backup lamp switches-Plunger switch/NO contact

0 343 102 024

Fastening	Contact travel	Connection	Capacity	Voltage
Screw thread M 18 x 1,5	Ca. 6 mm	Screw terminals	60 W	24 V

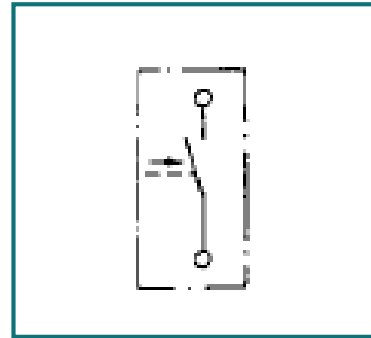
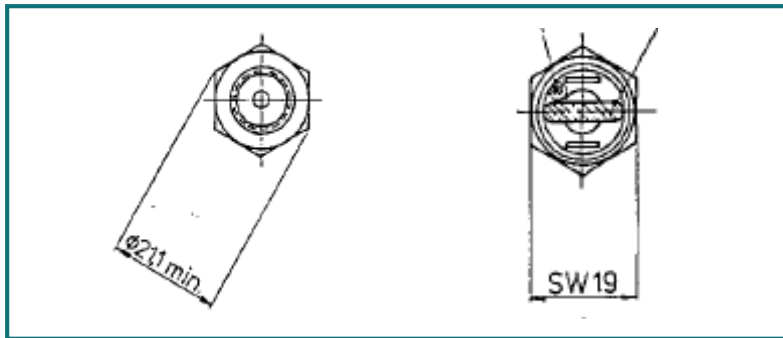


[Back to overview](#)

Backup lamp switches-Plunger switch/NO contact

0 343 102 008

Fastening	Contact travel	Connection	Capacity	Voltage
Screw thread M 12 x 1	Ca. 2,2 mm	Blade terminal	5 W	12 V

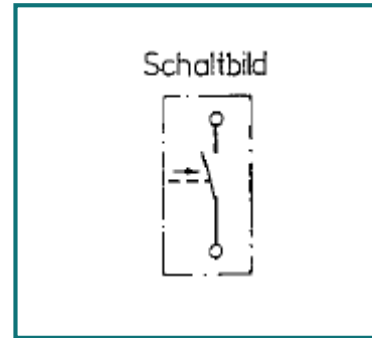
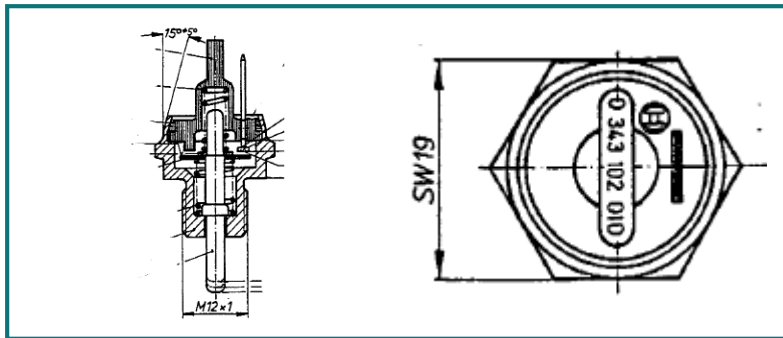


[Back to overview](#)

Backup lamp switches-Plunger switch/NO contact

0 343 102 010

Fastening	Contact travel	Connection	Capacity	Voltage
Screw thread M 12 x 1	Ca. 2,2 mm	1 Blade terminal, Ground return through switch housing	5 W	12 V

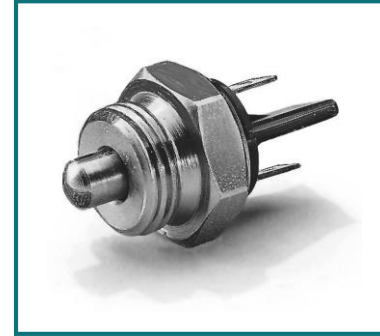
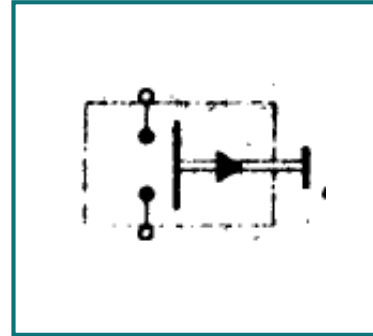
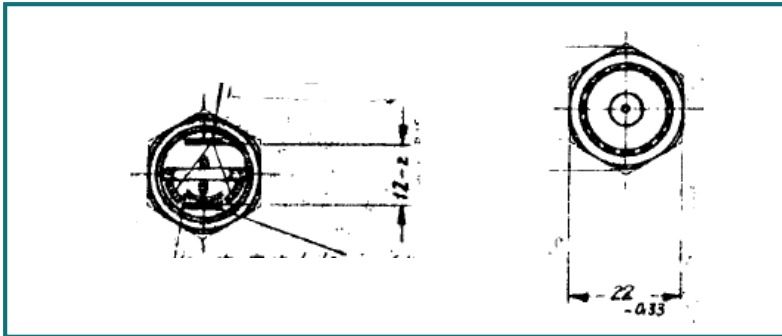


[Back to overview](#)

Backup lamp switches-Plunger switch/NO contact

0 343 102 011

Fastening	Contact travel	Connection	Capacity	Voltage
Screw thread M 18 x 1,5	Ca. 1 mm	Blade terminal	60 W	12 V

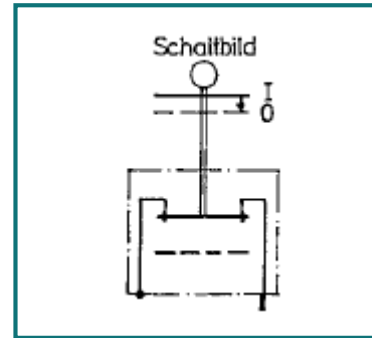
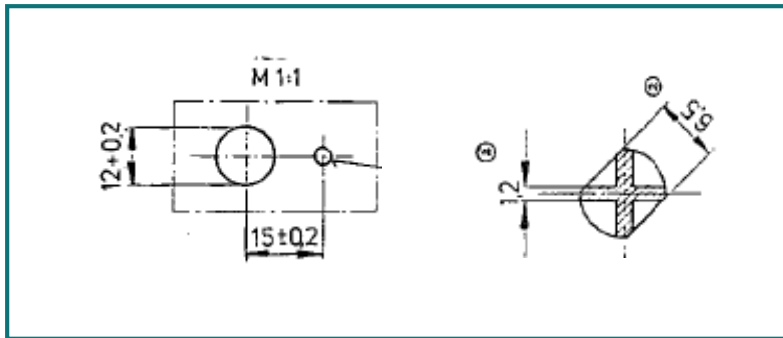


[Back to overview](#)

Door-contact switch – Lunger switch NC contact

0 343 107 002

Fastening	Contact travel	Connection	Capacity	Voltage
Screw \varnothing 4 mm	Ca. 1 mm	1-pole Blade terminal	12 W	24 V



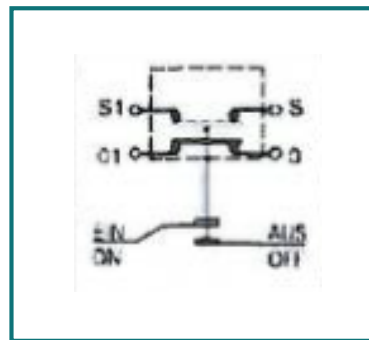
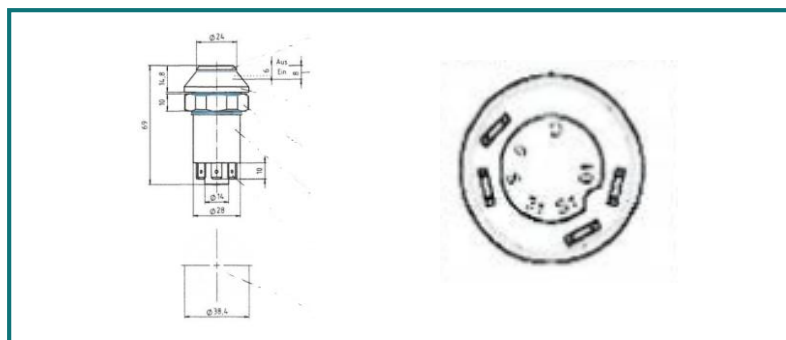
[Back to overview](#)

Warning light switch - Selector switch for electronic hazard warning light flasher

Washer system

0 340 302 102

Fastening	Fitting	Connection	Voltage
Knurled nut	Ø 30 mm Wall thickness up to 8 mm	Blade terminal	installed 12 V bulb

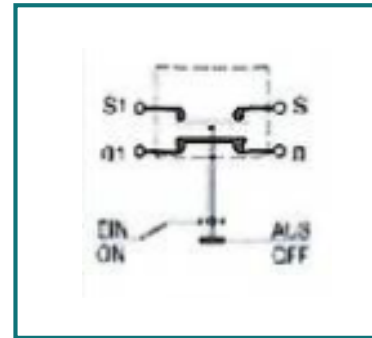
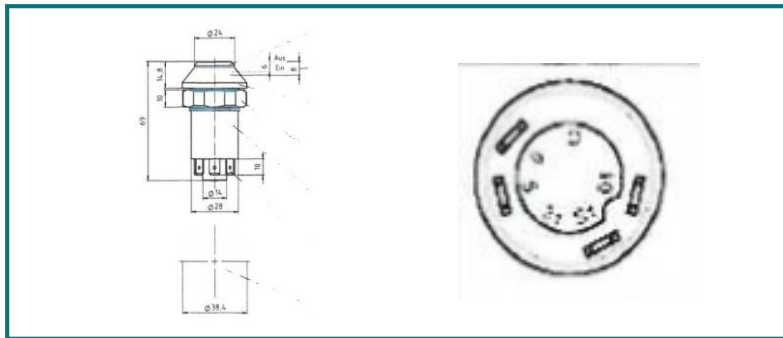


[Back to overview](#)

Warning light switch - Selector switch for electronic hazard warning light flasher

Gear change 0 340 302 103

Fastening	Fitting	Connection	Voltage
Knurled nut	Ø 30 mm Wall thickness up to 8 mm	Blade terminal	installed 12 V bulb



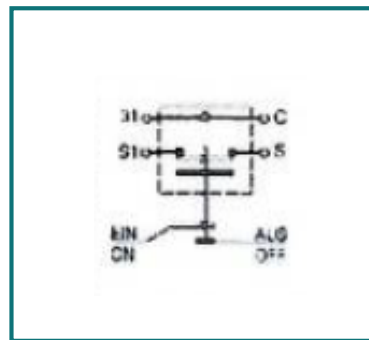
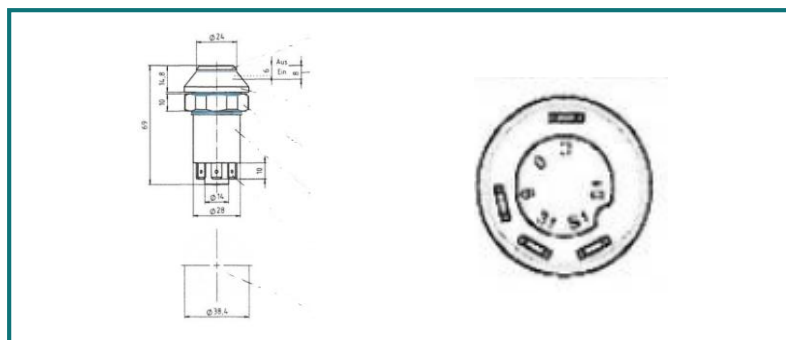
[Back to overview](#)

Warning light switch - Selector switch for electronic hazard warning light flasher

Rotating beacon

0 340 302 104

Fastening	Fitting	Connection	Voltage
Knurled nut	Ø 30 mm Wall thickness up to 8 mm	Blade terminal	installed 12 V bulb



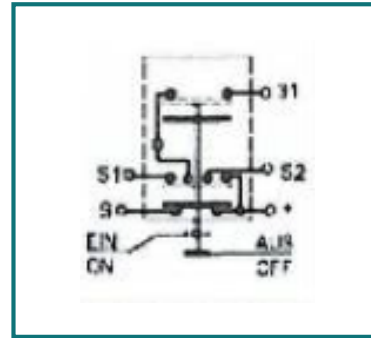
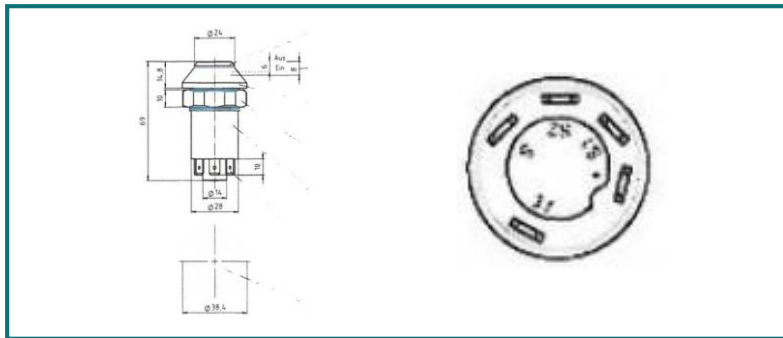
[Back to overview](#)

Warning light switch - Selector switch for electronic hazard warning light flasher

High-beam headlights

0 340 302 105

Fastening	Fitting	Connection	Voltage
Knurled nut	Ø 30 mm Wall thickness up to 8 mm	Blade terminal	installed 12 V bulb



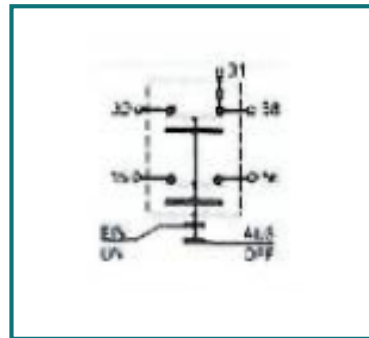
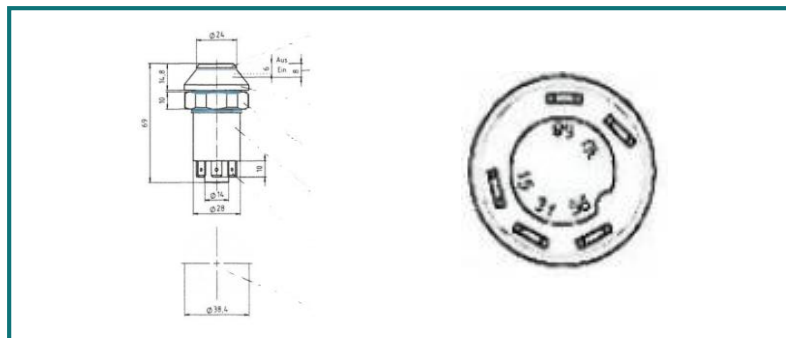
[Back to overview](#)

Warning light switch - Selector switch for electronic hazard warning light flasher

Light

0 340 302 106

Fastening	Fitting	Connection	Voltage
Knurled nut	Ø 30 mm Wall thickness up to 8 mm	Blade terminal	installed 12 V bulb



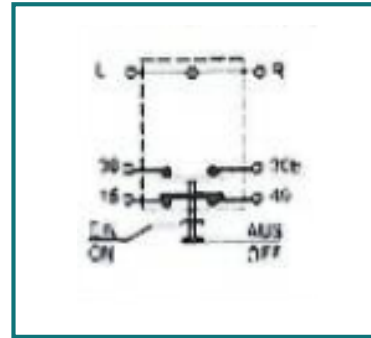
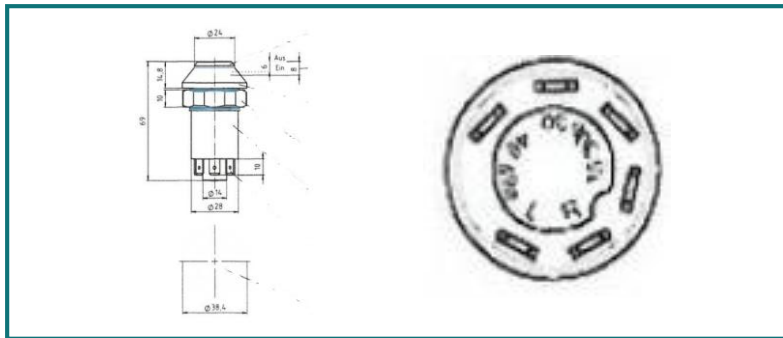
[Back to overview](#)

Warning light switch - Selector switch for electronic hazard warning light flasher

Rotating beacon

0 340 302 107

Fastening	Fitting	Connection	Voltage
Knurled nut	Ø 30 mm Wall thickness up to 8 mm	Blade terminal	installed 12 V bulb



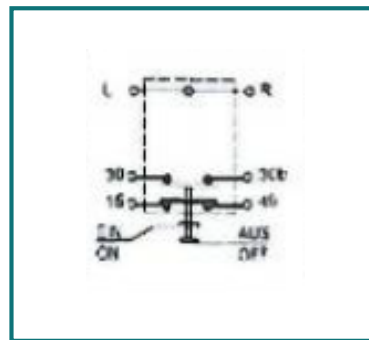
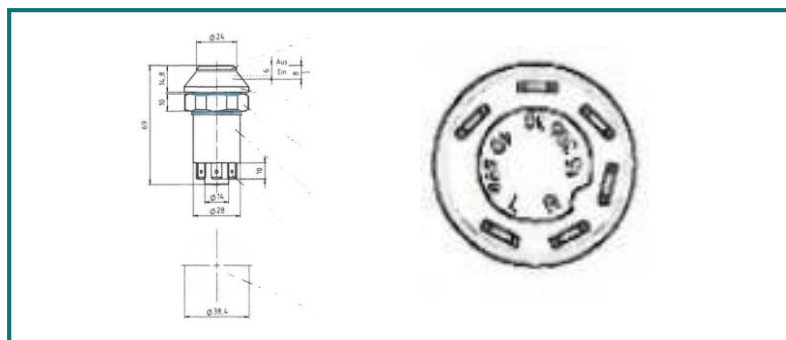
[Back to overview](#)

Warning light switch - Selector switch for electronic hazard warning light flasher

Neutral

0 340 302 108

Fastening	Fitting	Connection	Voltage
Knurled nut	Ø 30 mm Wall thickness up to 8 mm	Blade terminal	installed 12 V bulb



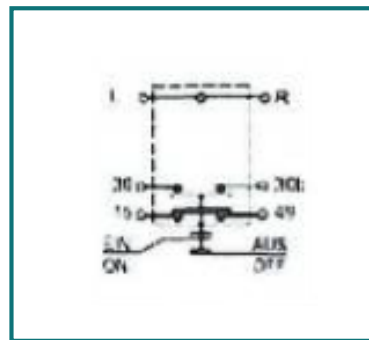
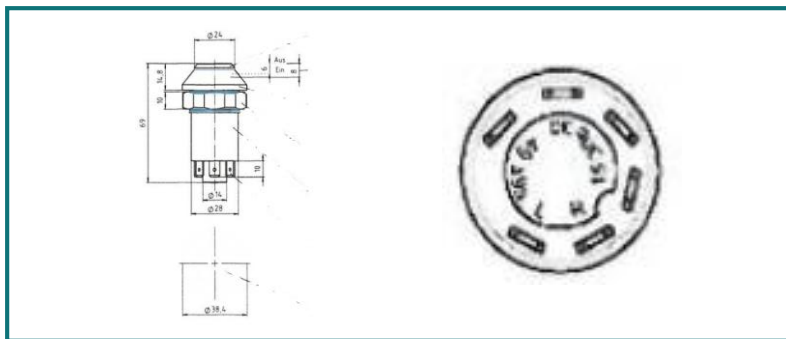
[Back to overview](#)

Warning light switch - Selector switch for electronic hazard warning light flasher

4WD

0 340 302 109

Fastening	Fitting	Connection	Voltage
Knurled nut	Ø 30 mm Wall thickness up to 8 mm	Blade terminal	installed 12 V bulb



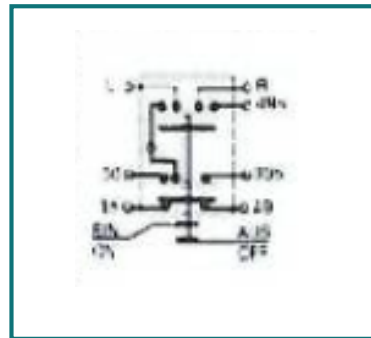
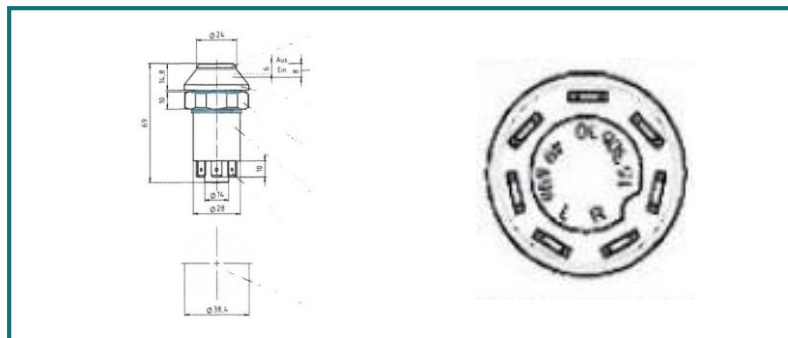
[Back to overview](#)

Warning light switch - Selector switch for electronic hazard warning light flasher

Stop

0 340 302 110

Fastening	Fitting	Connection	Voltage
Knurled nut	Ø 30 mm Wall thickness up to 8 mm	Blade terminal	installed 12 V bulb



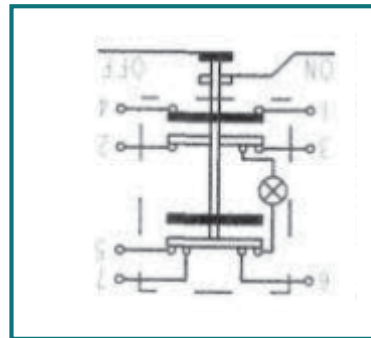
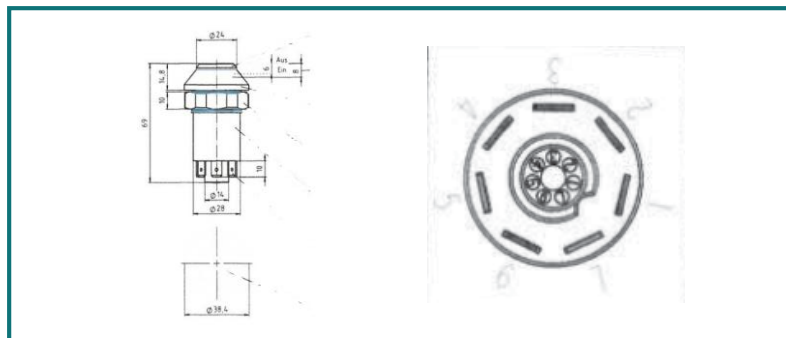
[Back to overview](#)

Warning light switch - Selector switch for electronic hazard warning light flasher

Warning Light

0 340 302 111

Fastening	Fitting	Connection	Voltage
Knurled nut	Ø 30 mm Wall thickness up to 8 mm	Blade terminal	installed 12 V bulb



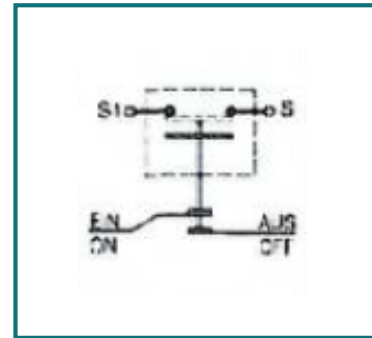
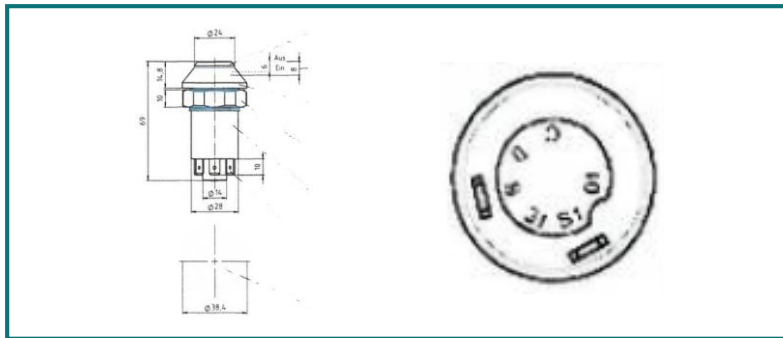
[Back to overview](#)

Warning light switch - Selector switch for electronic hazard warning light flasher

Raising and lowering

0 340 302 112

Fastening	Fitting	Connection	Voltage
Knurled nut	Ø 30 mm Wall thickness up to 8 mm	Blade terminal	installed 12 V bulb



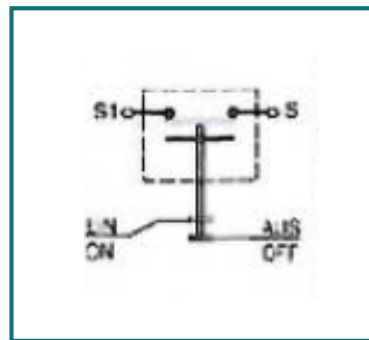
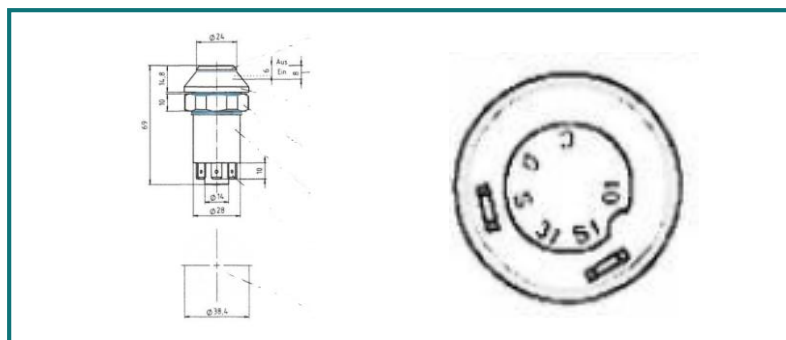
[Back to overview](#)

Warning light switch - Selector switch for electronic hazard warning light flasher

Horn

0 340 302 113

Fastening	Fitting	Connection	Voltage
Knurled nut	Ø 30 mm Wall thickness up to 8 mm	Blade terminal	installed 12 V bulb



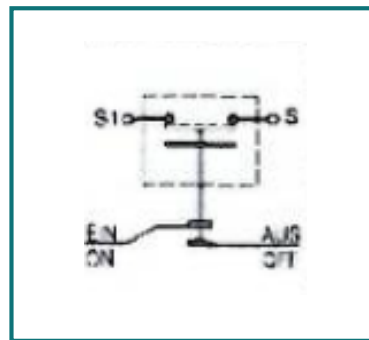
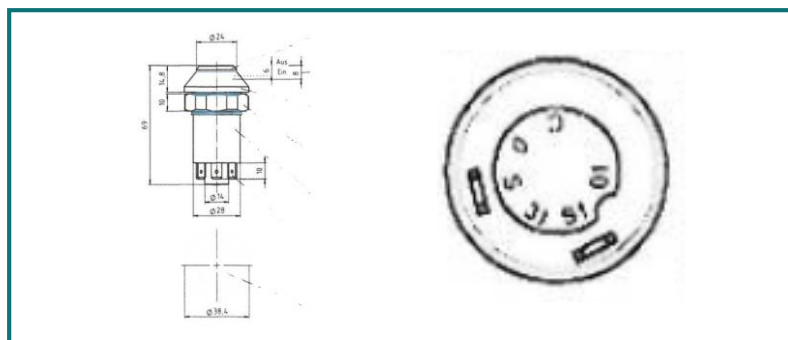
[Back to overview](#)

Warning light switch - Selector switch for electronic hazard warning light flasher

Start

0 340 302 114

Fastening	Fitting	Connection	Voltage
Knurled nut	Ø 30 mm Wall thickness up to 8 mm	Blade terminal	installed 12 V bulb



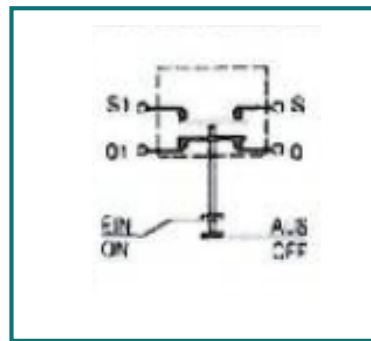
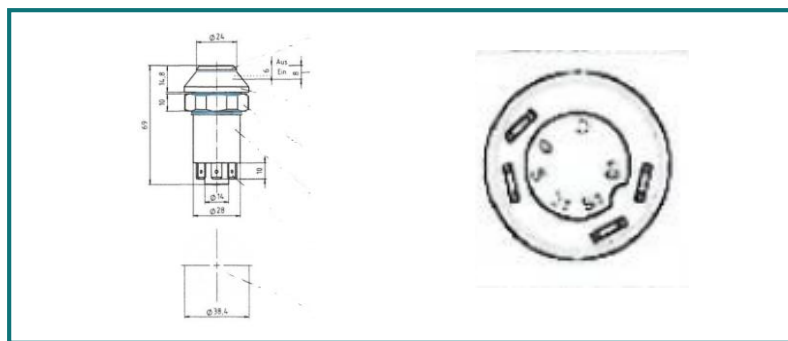
[Back to overview](#)

Warning light switch - Selector switch for electronic hazard warning light flasher

Raising and lowering

0 340 302 115

Fastening	Fitting	Connection	Voltage
Knurled nut	Ø 30 mm Wall thickness up to 8 mm	Blade terminal	installed 12 V bulb



[Back to overview](#)

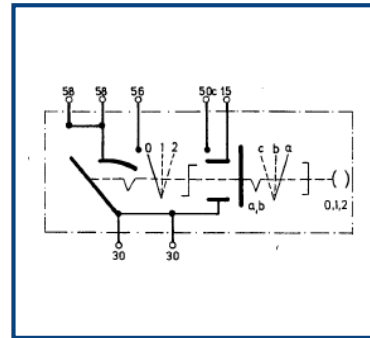
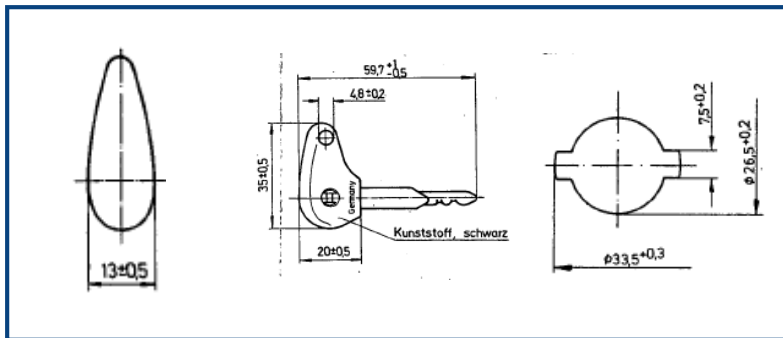
Headlamp-ignition switches

from page 51 to 60

Key-operated switch up to 24 V, housing \varnothing 48 mm

0 342 307 001

Fastening	Fitting	Connection	Current	Voltage
polished aluminum octagon nut M 26 x 1	\varnothing 26.5 mm with cutout 33.5 x 7.5 mm (twist-proof). Wall thickness up to 2 mm.	Screw terminals	100 A	24 V

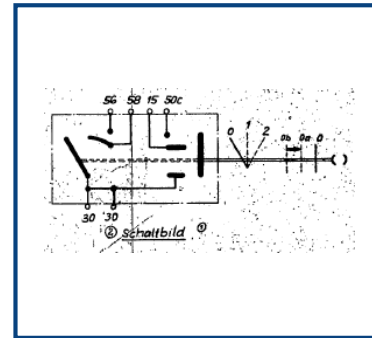
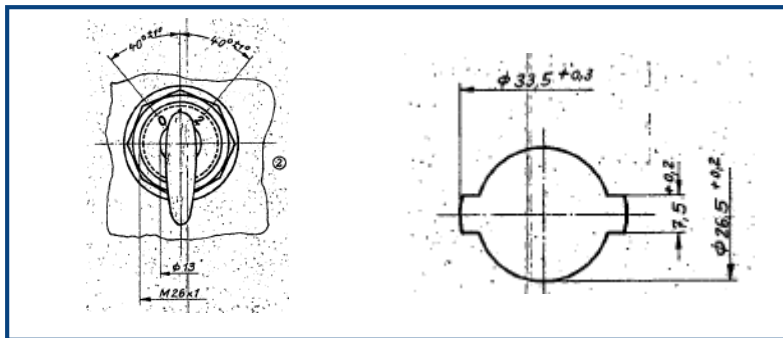


[Back to overview](#)

Key-operated switch up to 24 V, housing Ø 48 mm

0 342 307 002

Fastening	Fitting	Connection	Current	Voltage
polished aluminum octagon nut M 26 x 1	Ø 26.5 mm with cutout 33.5 x 7.5 mm (twist-proof). Wall thickness up to 2 mm.	Screw terminals	100 A	24 V

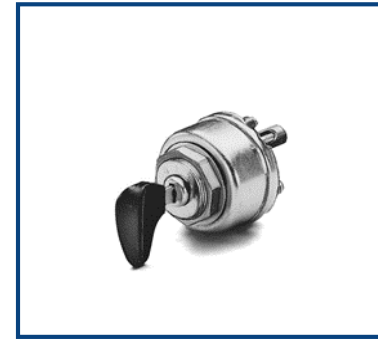
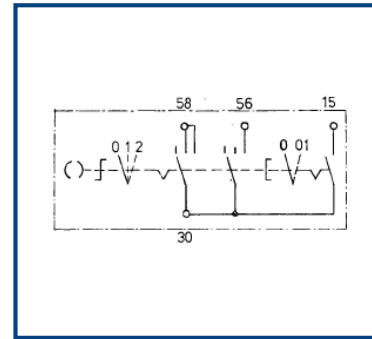
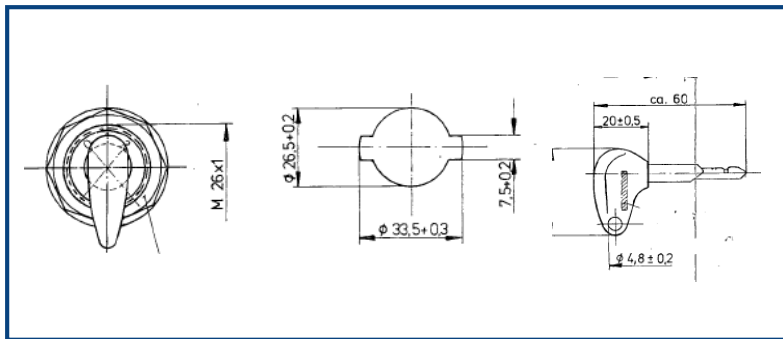


[Back to overview](#)

Key-operated switch up to 24 V, housing \varnothing 48 mm

0 342 106 012

Fastening	Fitting	Connection	Current	Voltage
polished aluminum octagon nut M 26 x 1	\varnothing 26.5 mm with cutout 33.5 x 7.5 mm (twist-proof). Wall thickness up to 2 mm.	Screw terminals	100 A	24 V

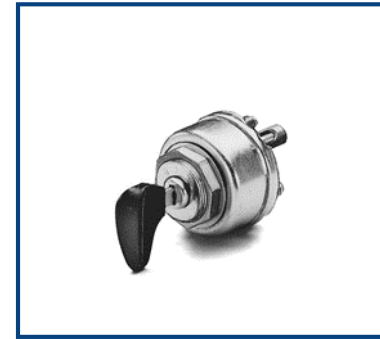
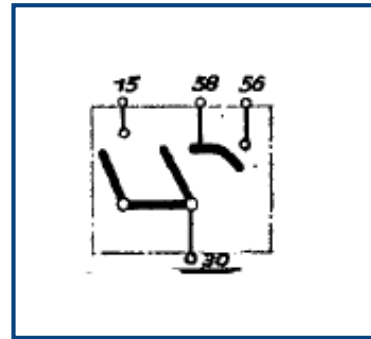
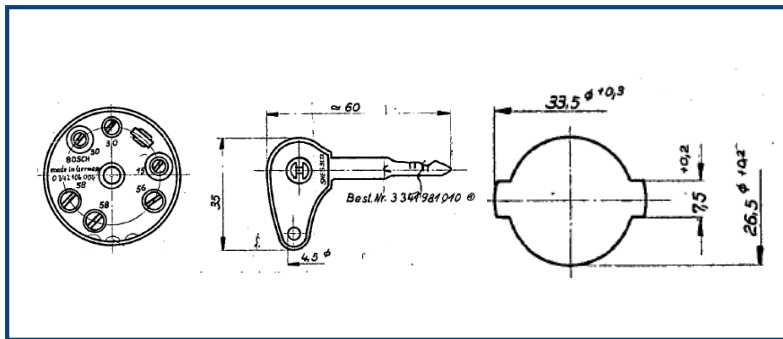


[Back to overview](#)

Key-operated switch up to 24 V, housing Ø 48 mm

0 342 106 004

Fastening	Fitting	Connection	Current	Voltage
polished aluminum octagon nut M 26 x 1	Ø 26.5 mm with cutout 33.5 x 7.5 mm (twist-proof). Wall thickness up to 2 mm.	Screw terminals	100 A	24 V

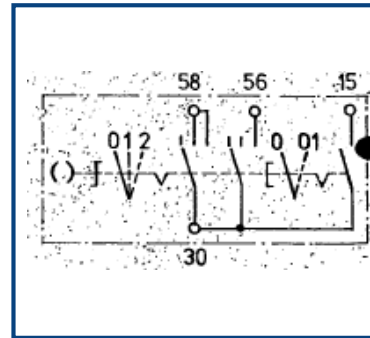
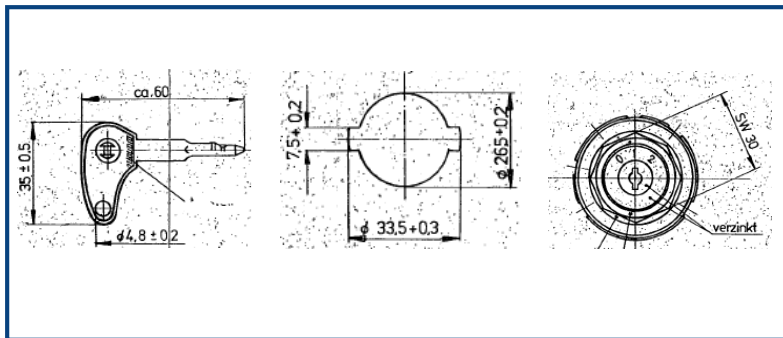


[Back to overview](#)

Key-operated switch up to 24 V, housing \varnothing 48 mm

0 342 106 005

Fastening	Fitting	Connection	Current	Voltage
polished aluminum octagon nut M 26 x 1	\varnothing 26.5 mm with cutout 33.5 x 7.5 mm (twist-proof). Wall thickness up to 2 mm.	Screw terminals	100 A	24 V

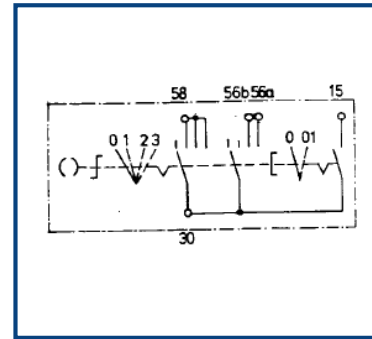
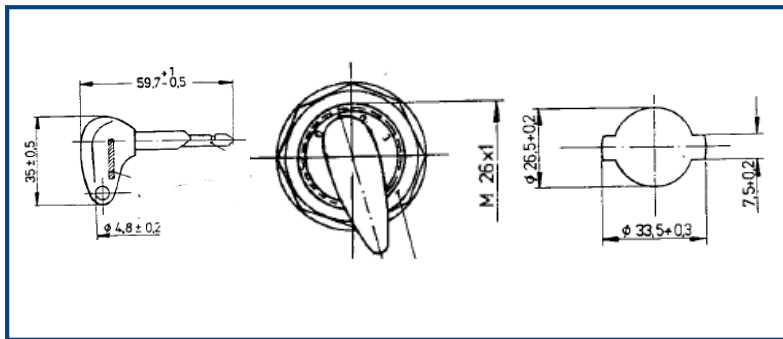


[Back to overview](#)

Key-operated switch up to 24 V, housing Ø 48 mm

0 342 201 010

Fastening	Fitting	Connection	Current	Voltage
polished aluminum octagon nut M 26 x 1	Ø 26.5 mm with cutout 33.5 x 7.5 mm (twist-proof). Wall thickness up to 2 mm.	Screw terminals	100 A	24 V

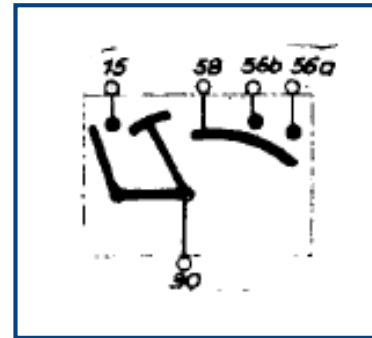
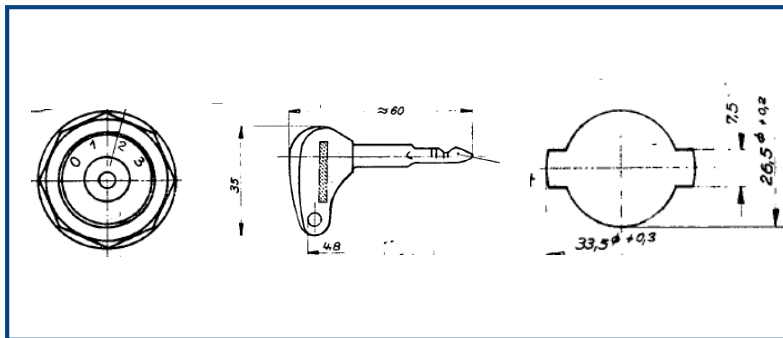


[Back to overview](#)

Key-operated switch up to 24 V, housing Ø 48 mm

0 342 201 009

Fastening	Fitting	Connection	Current	Voltage
polished aluminum octagon nut M 26 x 1	Ø 26.5 mm with cutout 33.5 x 7.5 mm (twist-proof). Wall thickness up to 2 mm.	Screw terminals, blade terminal	100 A	24 V

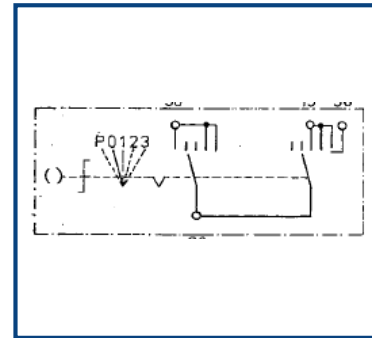
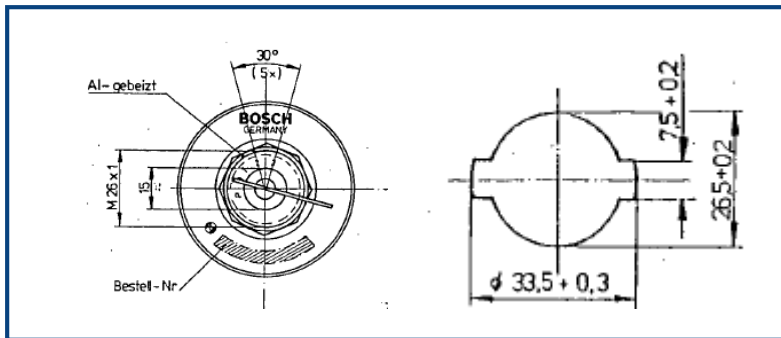


[Back to overview](#)

Key-operated switch up to 24 V, housing Ø 48 mm

0 342 202 001

Fastening	Fitting	Connection	Lock-No.	Current	Voltage
polished aluminum octagon nut M 26 x 1	Ø 26.5 mm with cutout 33.5 x 7.5 mm Wall thickness up to 2 mm	Screw terminals, blade terminal	E 30	100 A	24 V

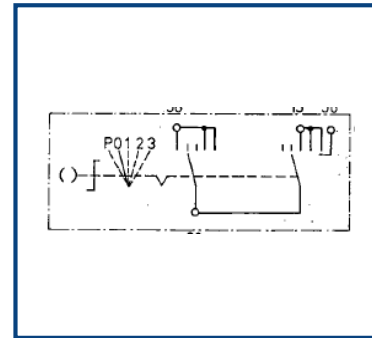
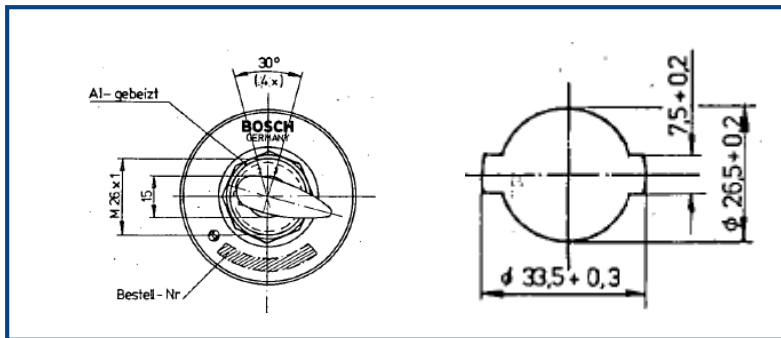


[Back to overview](#)

Key-operated switch up to 24 V, housing Ø 48 mm

0 342 202 002

Fastening	Fitting	Connection	Lock-No.	Current	Voltage
polished aluminum octagon nut M 26 x 1	Ø 26.5 mm with cutout 33.5 x 7.5 mm Wall thickness up to 2 mm	Screw terminals, blade terminal	U 39	100 A	24 V

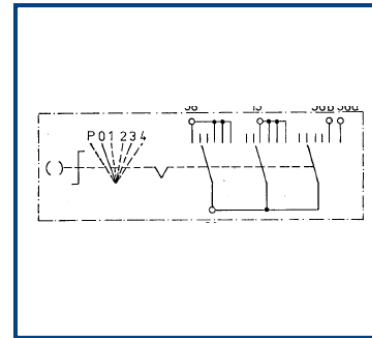
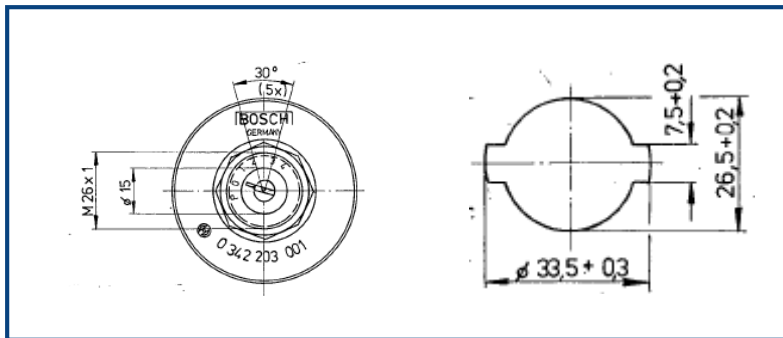


[Back to overview](#)

Key-operated switch up to 24 V, housing Ø 48 mm

0 342 203 001

Fastening	Fitting	Connection	Lock-No.	Current
polished aluminum octagon nut M 26 x 1	Ø 26.5 mm with cutout 33.5 x 7.5 mm (twist-proof). Wall thickness up to 2 mm.	Screw terminals, blade terminal	100 A	24 V



[Back to overview](#)

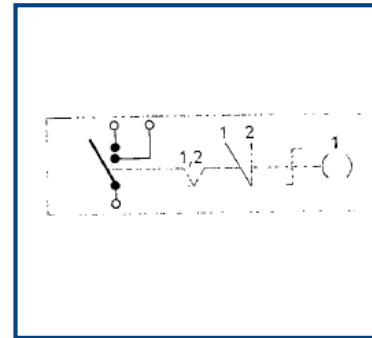
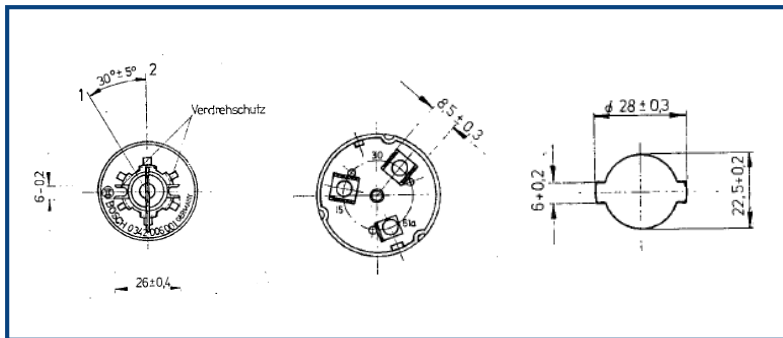
Ignition switches

From page 62 to 66

Key-operated switch up to 24 V, with safety lock

0 342 006 001

Fastening	Fitting	Connection	Lock-No.	Current	Voltage	Capacity
unpolished aluminum round nut M 22 x 1	Ø22,5 mm with cutout Wall thickness up to 3 mm	Blade terminal	E 1 – E 50	20 A	24 V	60 W

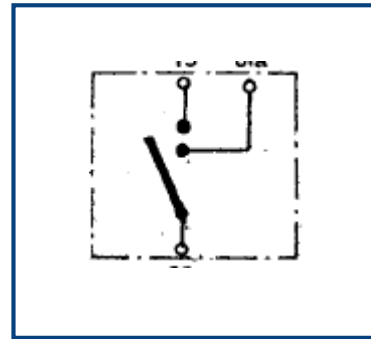
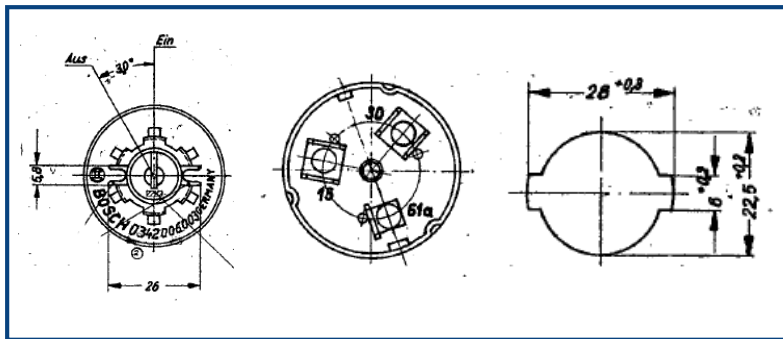


[Back to overview](#)

Key-operated switch up to 24 V, with safety lock

0 342 006 003

Fastening	Fitting	Connection	Lock-No.	Current	Voltage	Capacity
Polished round nut M22 x 1	Ø22,5 mm with cutout Wall thickness up to 3 mm	Blade terminal	E 30	20 A	24 V	60 W

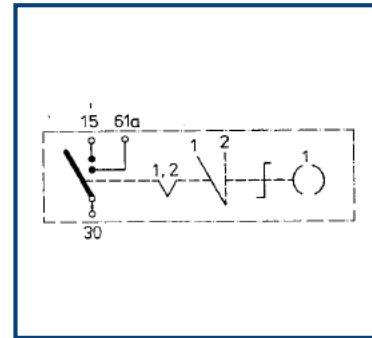
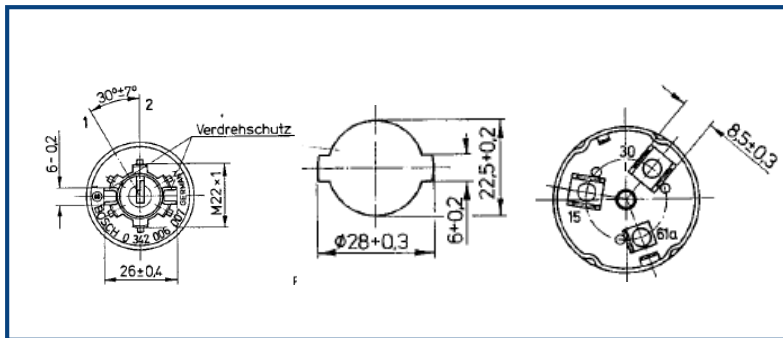


[Back to overview](#)

Key-operated switch up to 24 V, with safety lock

0 342 006 007

Fastening	Fitting	Connection	Lock-No.	Current	Voltage	Capacity
Polished round nut M22 x 1	Ø22,5 mm with cutout Wall thickness up to 3 mm	Blade Terminal	K 3	20 A	24 V	60 W

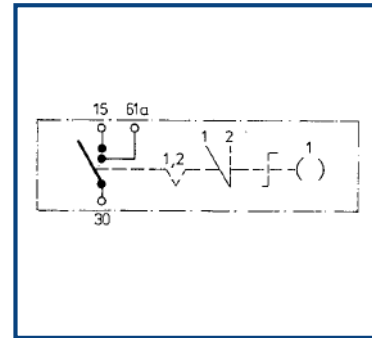
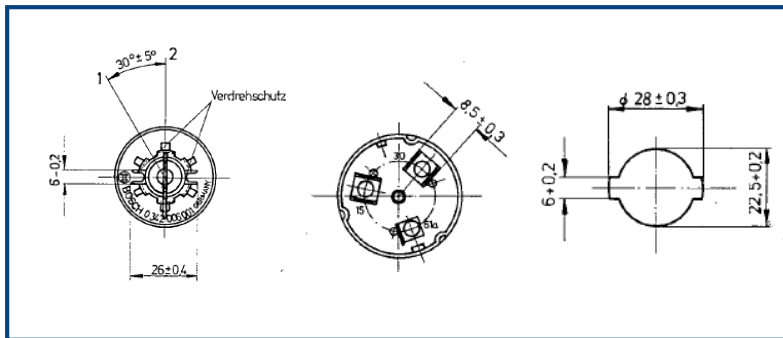


[Back to overview](#)

Key-operated switch up to 24 V, with safety lock

0 342 006 009

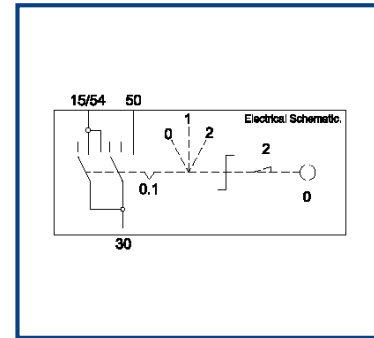
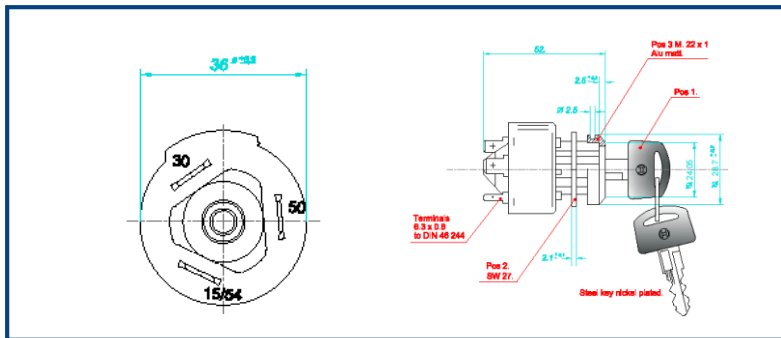
Fastening	Fitting	Connection	Lock-No.	Current	Voltage	Capacity
Polished round nut M22 x 1	Ø22,5 mm with cutout Wall thickness up to 3 mm	Blade terminal	E 41	20 A	24 V	60 W



[Back to overview](#)

Key-operated switch up to 24 V, with safety lock 0 342 006 020

Fastening	Fitting	Connection	Lock-No.	Current	Voltage	Capacity
unpolished aluminum round nut M 22 x 1	Ø22,5 mm with cutout Wall thickness up to 3 mm	Blade terminal	E 1 – E 50	20 A	24 V	60/5 W



[Back to overview](#)

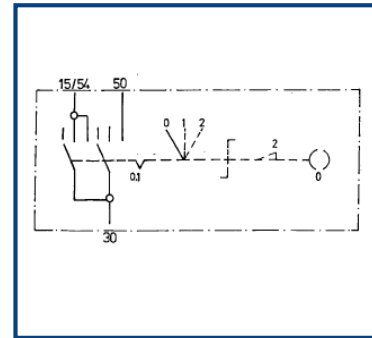
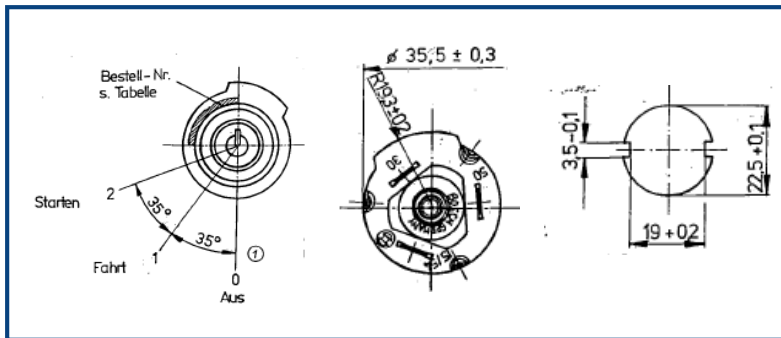
Ignition and starting switches

From page 68 to 80

Key-operated switch up to 24 V, with safety lock

0 342 311 003

Fastening	Fitting	Connection	Lock-No.	Current	Voltage	Capacity
Octagon and round nut M22 x 1	Ø22,5 mm Wall thickness up to 9 mm	Blade terminal	E 1 – E 50	12/9 A	12/ 24 V	90 W

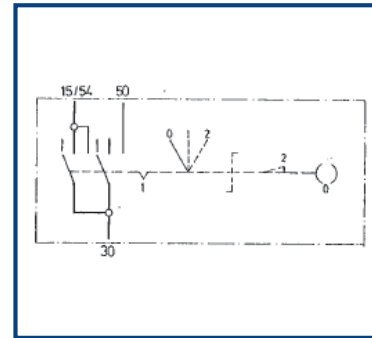
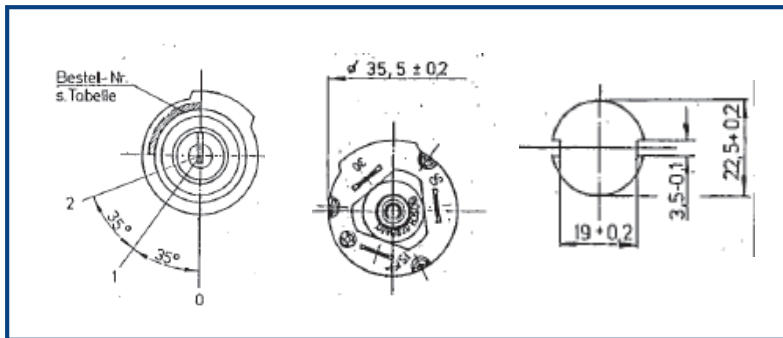


[Back to overview](#)

Key-operated switch up to 24 V, with safety lock

0 342 311 004

Fastening	Fitting	Connection	Lock-No.	Current	Voltage	Capacity
Octagon and round nut M22 x 1	Ø22,5 mm Wall thickness up to 9 mm	Blade terminal	K 11	12/9 A	12/ 24 V	90 W

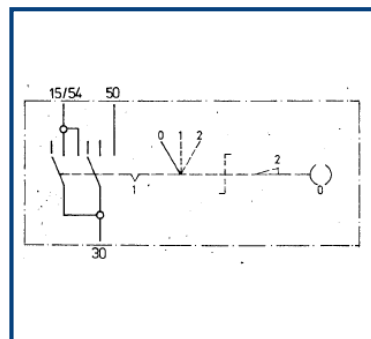
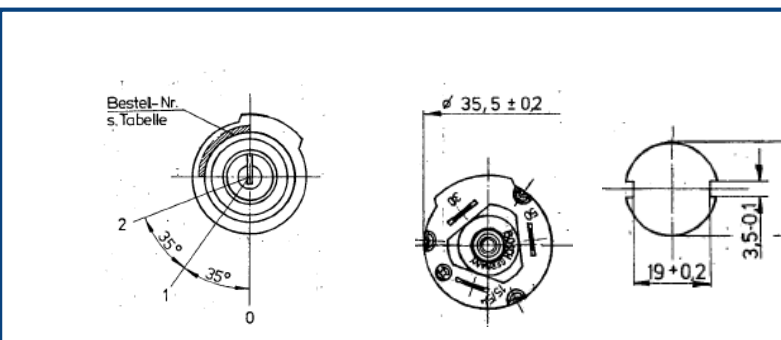


[Back to overview](#)

Key-operated switch up to 24 V, with safety lock

0 342 311 006

Fastening	Fitting	Connection	Lock-No.	Current	Voltage	Capacity
Octagon and round nut M22 x 1	Ø22,5 mm Wall thickness up to 9 mm	Blade terminal	E 11	12/9 A	12/ 24 V	90 W

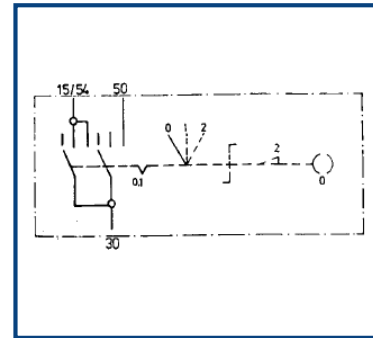
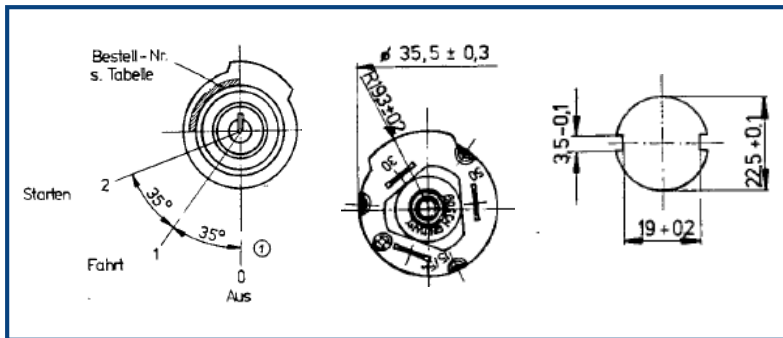


[Back to overview](#)

Key-operated switch up to 24 V, with safety lock

0 342 311 007

Fastening	Fitting	Connection	Lock-No.	Current	Voltage	Capacity
Octagon and round nut M22 x 1	Ø22,5 mm Wall thickness up to 9 mm	Blade terminal	E 30	12/9 A	12/ 24 V	90 W

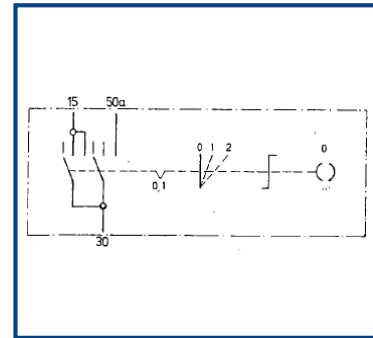
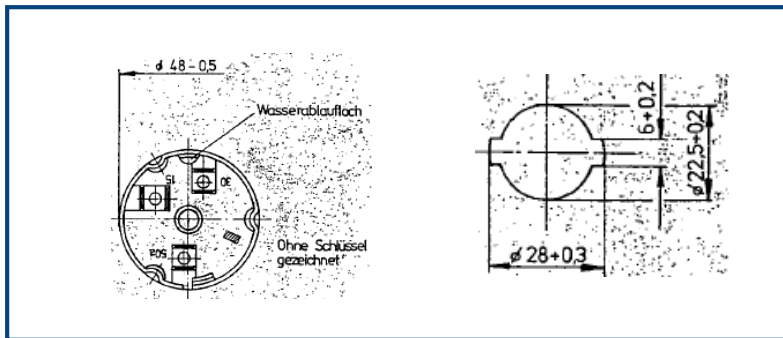


[Back to overview](#)

Key-operated switch up to 24 V, with safety lock

0 342 309 008

Fastening	Fitting	Connection	Lock-No.	Current	Voltage	Capacity
Octagon and round nut M22 x 1	Ø22,5 mm Wall thickness up to 6 mm	Blade terminal	E 80	16/ 8 A	12/ 24 V	150 W

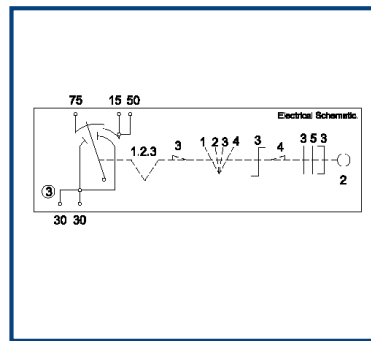
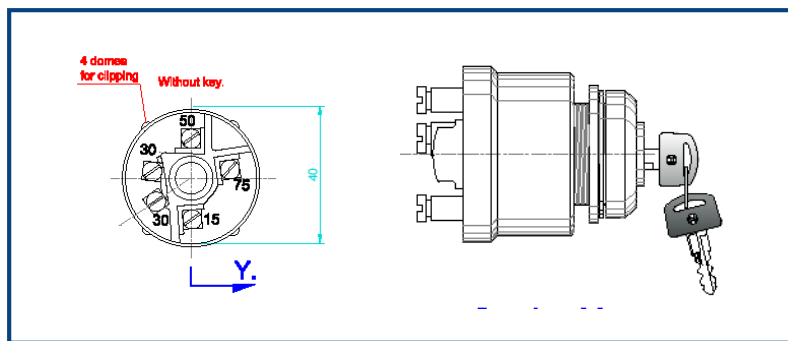


[Back to overview](#)

Key-operated switch up to 24 V, with safety lock

0 342 309 020

Fastening	Fitting	Connection	Lock-No.	Current	Voltage	Capacity
Octagon and round nut M22 x 1	Ø22,5 mm Wall thickness up to 6 mm	Blade terminal	E 80	16/ 8 A	12/ 24 V	150 W

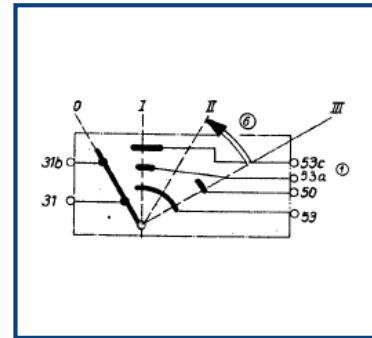
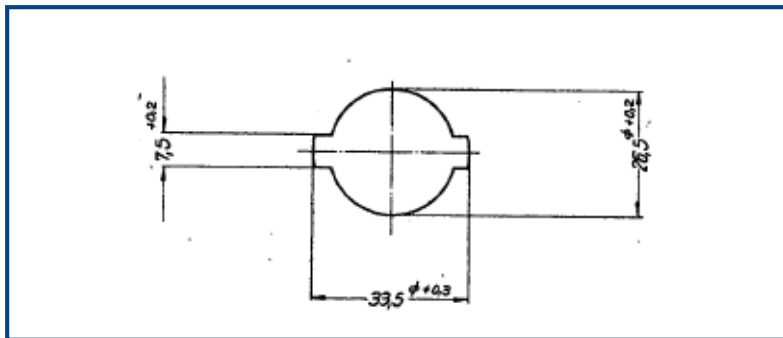


[Back to overview](#)

Key-operated starting switch without start-repeating block

0 342 309 007

Fastening	Fitting	Connection	Lock-No.	Current	Voltage	Capacity
Two octagon nuts M26 x 1	Ø26,5 mm Wall thickness up to 6 mm	Blade terminals	E 1 – E 50	16/ 8 A	12/ 24 V	80 W

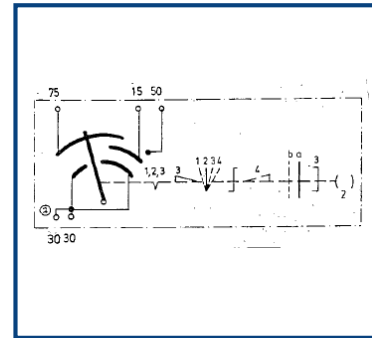
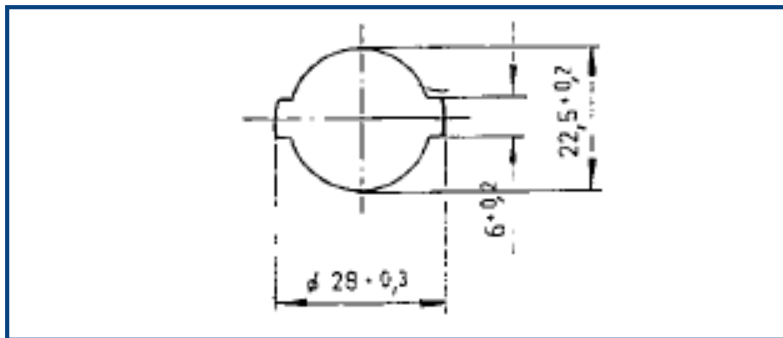


[Back to overview](#)

Key-operated starting switch without start-repeating block

0 342 309 003

Fastening	Fitting	Connection	Lock-No.	Current	Voltage	Capacity
Achtkant- und Rundmutter M22 x 1	Ø22,5 mm Wanddicke bis 7 mm	Schraubklemmen	E 1 – E 50	9,5/4,5 A	12/ 24 V	150 W

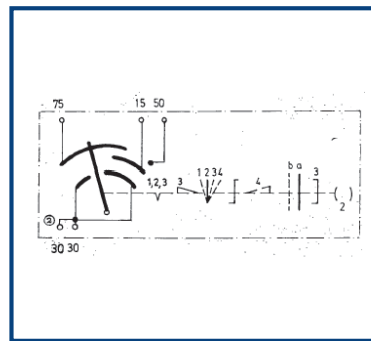
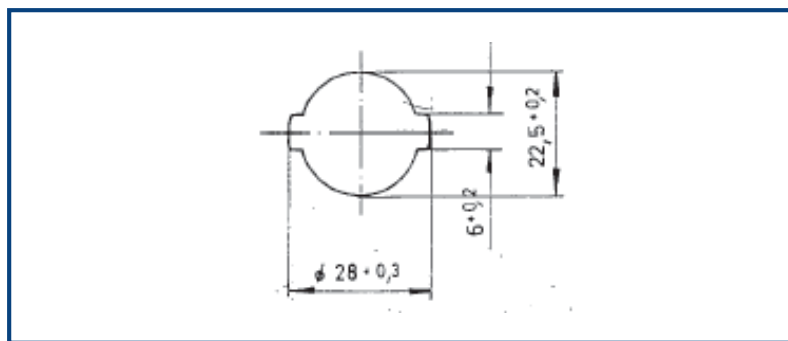


[Back to overview](#)

Key-operated starting switch without start-repeating block

0 342 309 006

Fastening	Fitting	Connection	Lock-No.	Current	Voltage	Capacity
Octagon and round nut M22 x 1	Ø22,5 mm Wall thickness up to 7 mm	Screw terminals	E 30	9,5/4,5 A	12/ 24 V	150 W

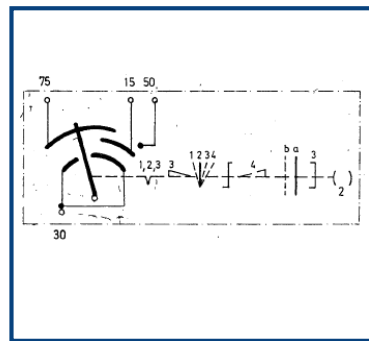
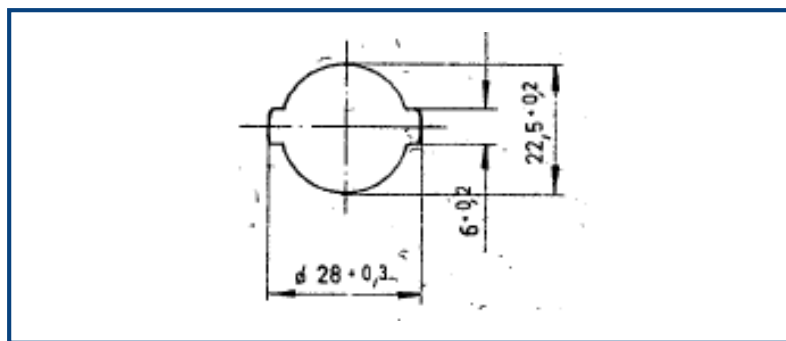


[Back to overview](#)

Key-operated starting switch without start-repeating block

0 342 309 011

Fastening	Fitting	Connection	Lock-No.	Current	Voltage	Capacity
Octagon and round nut M22 x 1	Ø22,5 mm Wall thickness up to 7 mm	Blade terminal	K 1 – K 50	9,5/4,5 A	12/ 24 V	150 W

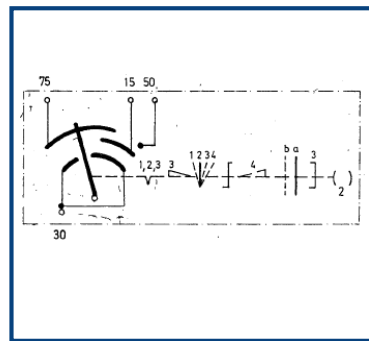
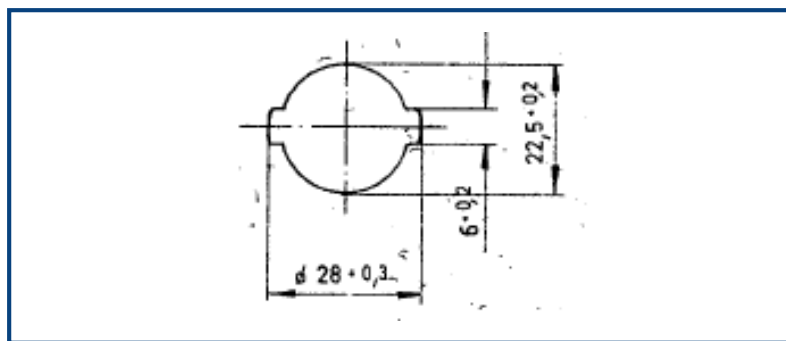


[Back to overview](#)

Key-operated starting switch without start-repeating block

0 342 309 012

Fastening	Fitting	Connection	Lock-No.	Current	Voltage	Capacity
Octagon and round nut M22 x 1	Ø22,5 mm Wall thickness up to 7 mm	Blade terminal	K 10	9,5/4,5 A	12/ 24 V	150 W

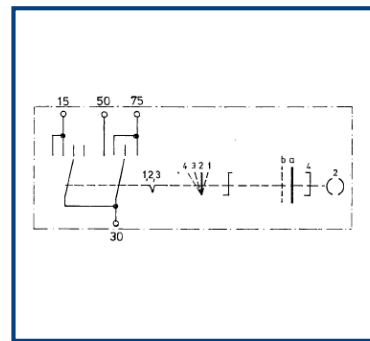
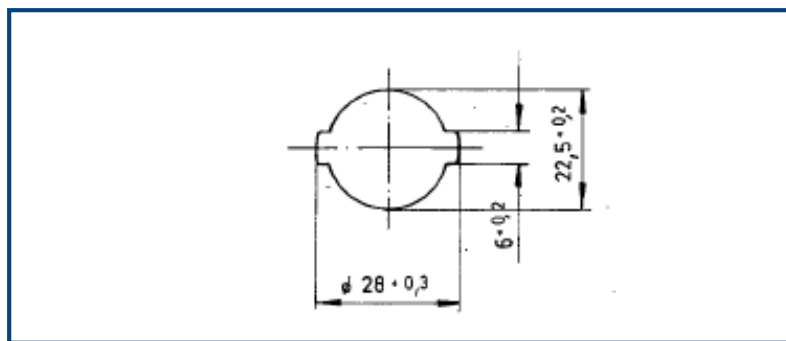


[Back to overview](#)

Key-operated starting switch without start-repeating block

0 342 309 010

Fastening	Fitting	Connection	Degree of protection	Lock-No.	Current	Voltage	Capacity
Octagon and round nut M22 x 1	Ø22,5 mm Wall thickness up to 7 mm	Blade terminal	IP 30	K 30	9,5,/4,5 A	12/ 24 V	150 W



[Back to overview](#)

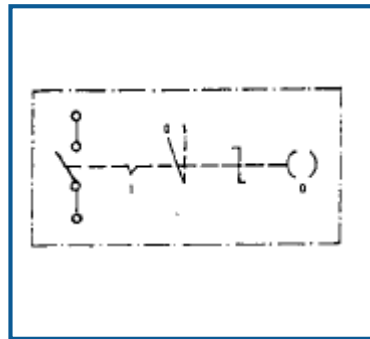
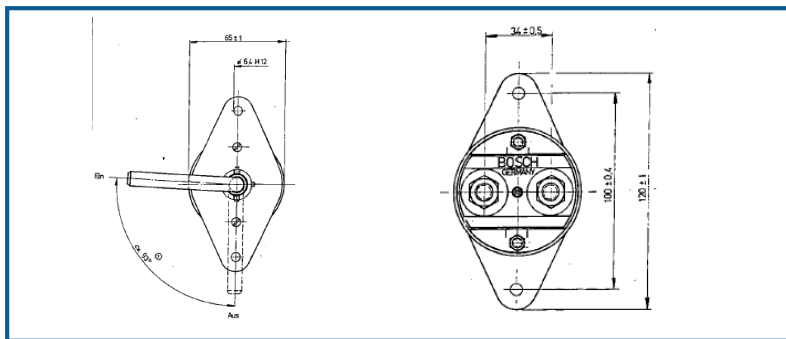
Battery master switches

From page 82 to 84

Lever switch with switch on detent

0 341 002 003

Fitting	Degree of protection	Connection	Current	Voltage
<p>Ø23,5 mm 2 holes Ø 6,4 mm Hole spacing 100 mm Wall thickness up to 25 mm</p>	<p>On handle side IP 00 on housing side IP 54 terminals IP 00</p>	<p>Threaded terminal for cable lug</p>	<p>250 A</p>	<p>24 V</p>

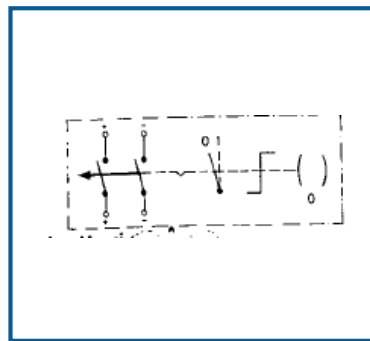
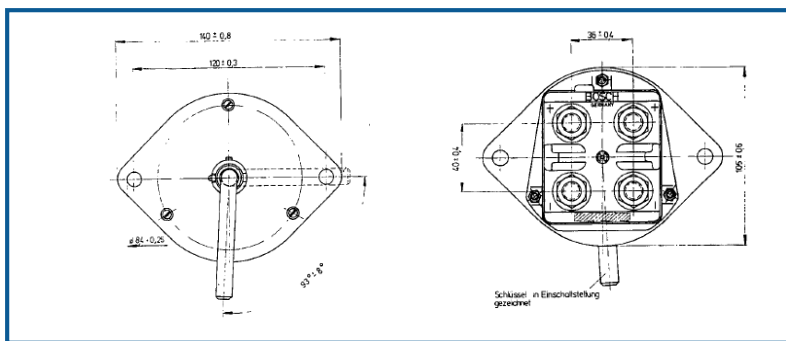


[Back to overview](#)

Lever switch with switch on detent

0 341 003 004

Fitting	Degree of protection	Connection	Current	Voltage
<p>Ø23,5 mm 2 holes Ø 8,4 mm Hole spacing 100 mm Wall thickness up to 120 mm</p>	<p>On handle side IP 00 on housing side IP 54 terminals IP 00</p>	<p>Threaded terminal for cable lug</p>	<p>250 A</p>	<p>24 V</p>

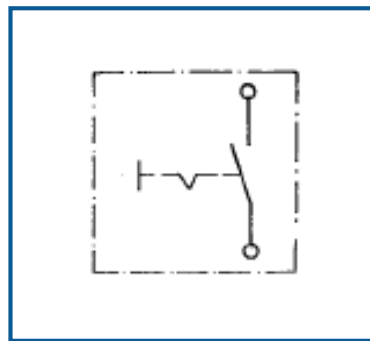
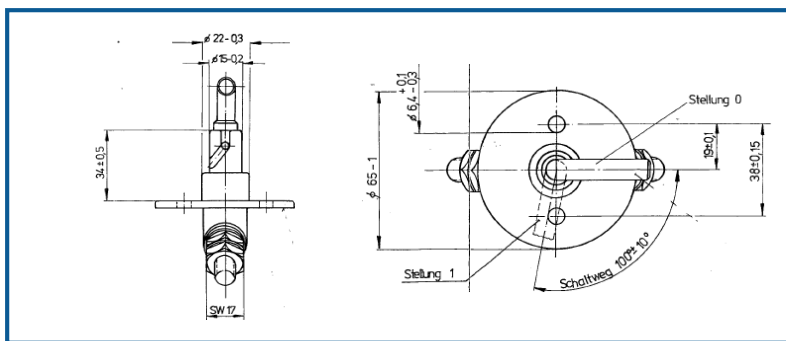


[Back to overview](#)

Lever switch with switch on detent

0 341 001 001

Fitting	Degree of protection	Connection	Current	Voltage
<p>Ø23 mm 2 holes Ø 6,4 mm Hole spacing 38 mm Wall thickness up to 14 mm</p>	<p>Terminals IP 00 housing IP 50</p>	<p>Threaded terminal for cable lug</p>	<p>100/500 A</p>	<p>24 V</p>



[Back to overview](#)

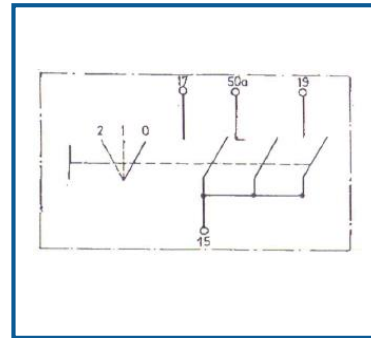
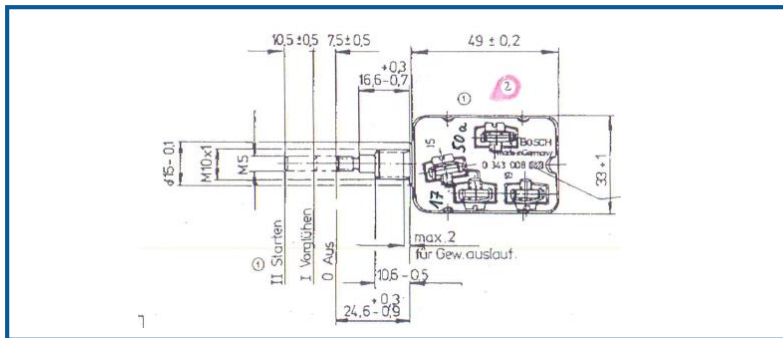
Glow-plug and starting switches

From page 86 to 93

Push-pull starting switch

0 343 008 006

Fastening	Fitting	Connection	Current	Voltage
Hexagon nut M10 x 1	Ø10,5 mm Wall thickness up to 3 mm	Screw terminals	50/27/12/9 A	12/ 24 V

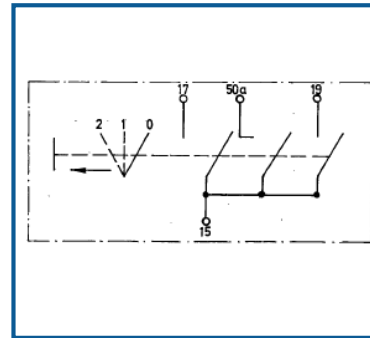
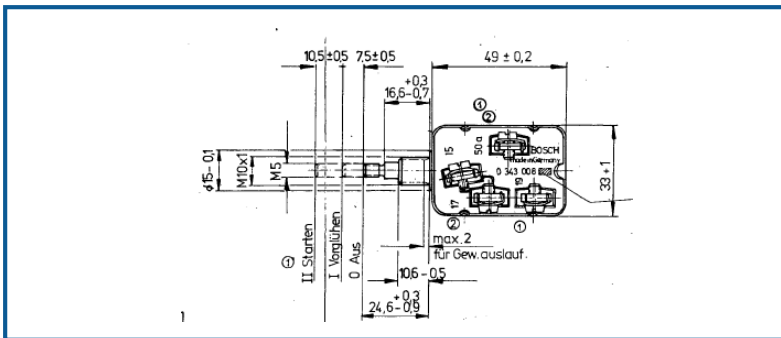


[Back to overview](#)

Push-pull starting switch

0 343 008 007

Fastening	Fitting	Connection	Current	Voltage
Hexagon nut M10 x 1	Ø10,5 mm Wall thickness up to 3 mm	Screw terminals	50/27/12/9 A	12/ 24 V

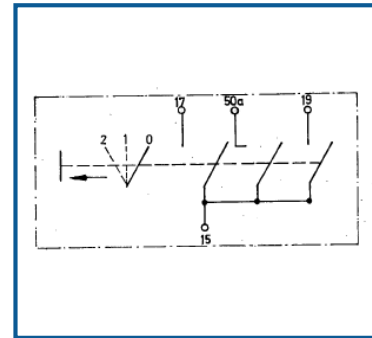
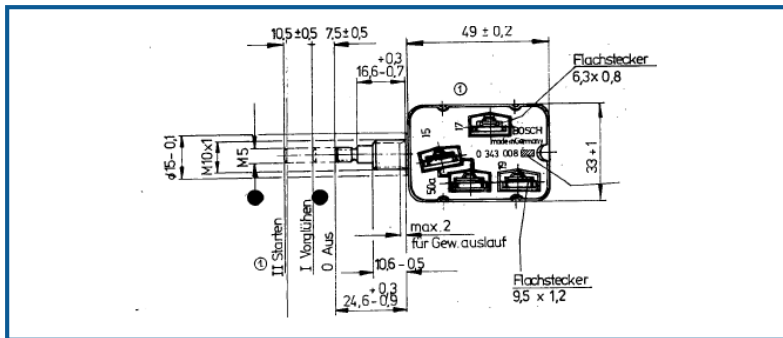


[Back to overview](#)

Push-pull starting switch

0 343 008 009

Fastening	Fitting	Connection	Current	Voltage
Hexagon nut M10 x 1	Ø10,5 mm Wall thickness up to 3 mm	Blade terminal	50/27/12/9 A	12/ 24 V

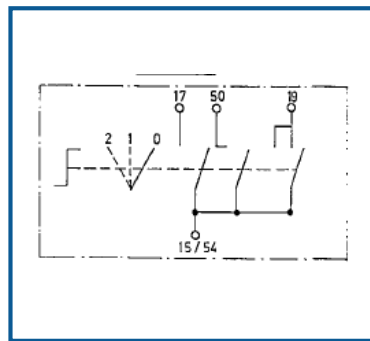
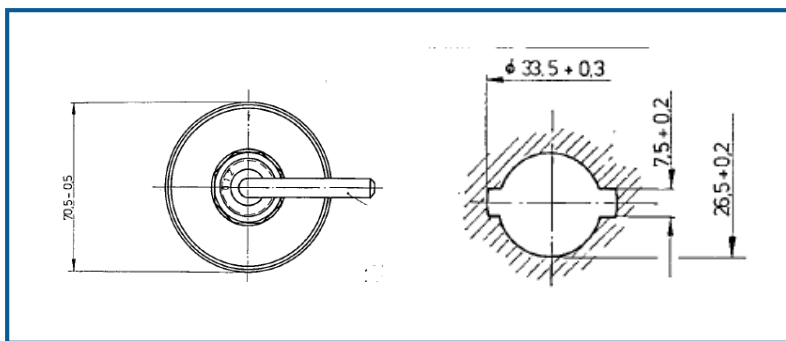


[Back to overview](#)

Rotary starting switch

0 343 401 001

Fastening	Fitting	Connection	Current	Voltage
Pickled aluminum octagon nut	Ø26,5 mm Wall thickness up to 2 mm	Screw terminals	12/9/100 A	12/ 24 V

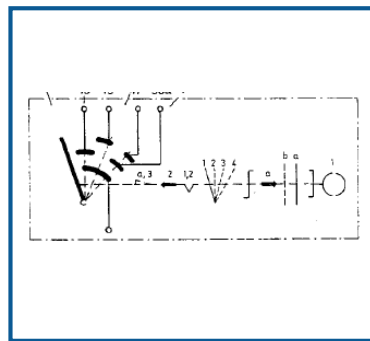
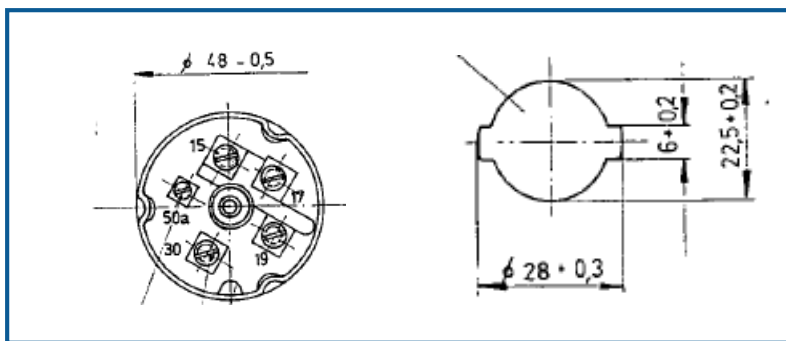


[Back to overview](#)

Key-operated starting switch

0 342 315 001

Fastening	Fitting	Connection	Lock-No.	Current	Voltage	Capacity
Pickled aluminum octagon nut	Ø26,5 mm Wall thickness up to 2 mm	Screw terminals	E 30	13/33/18/9 A	12/ 24 V	150 W

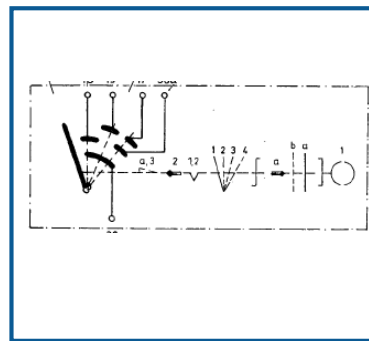
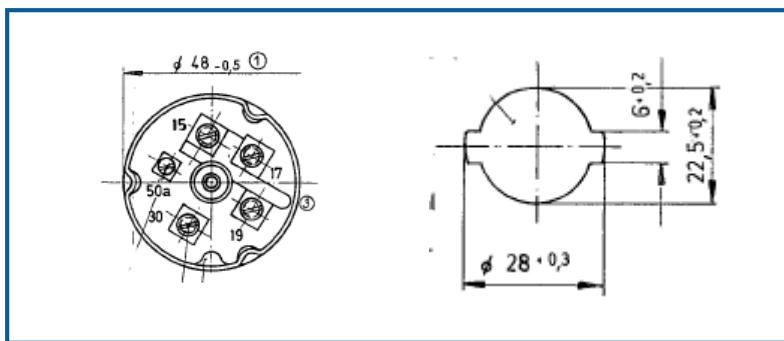


[Back to overview](#)

Key-operated starting switch

0 342 315 004

Fastening	Fitting	Connection	Lock-No.	Current	Voltage	Capacity
Pickled aluminum octagon nut	Ø26,5 mm Wall thickness up to 2 mm	Screw terminals	U 39	13/33/18/9 A	12/ 24 V	150 W

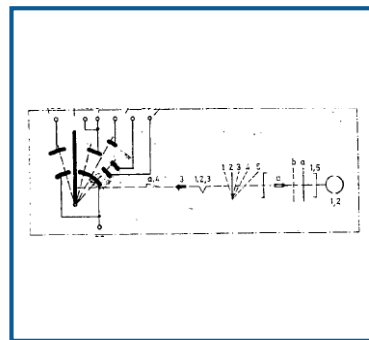
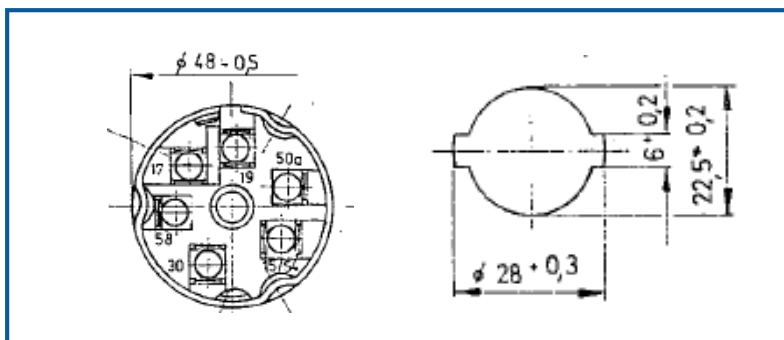


[Back to overview](#)

Key-operated light/starting switch

0 342 316 002

Fastening	Fitting	Conenction	Lock-No.	Current	Voltage
octagon nut and unpolished aluminum round nutM22 x 1	Ø22,5 mm Wall thickness up to 6 mm	Connect terminals, if current above 45 A	E 51 – E 100	13/33/18/9 A	12/ 24 V

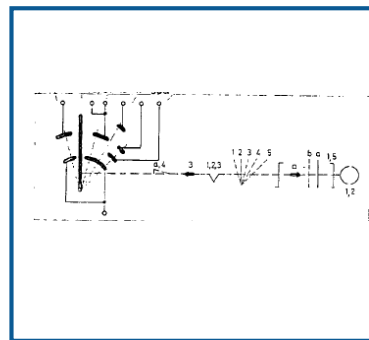
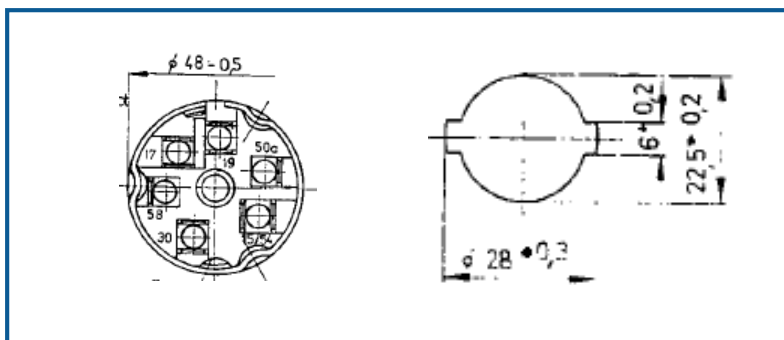


[Back to overview](#)

Key-operated light/starting switch

0 342 316 003

Fastening	Fitting	Conenction	Lock-No.	Current	Voltage
octagon nut and unpolished aluminum round M22 x 1	Ø22,5 mm Wall thickness up to 6 mm	Connect terminals, if current above 45 A	K 80	13/33/18/9 A	12/ 24 V



[Back to overview](#)

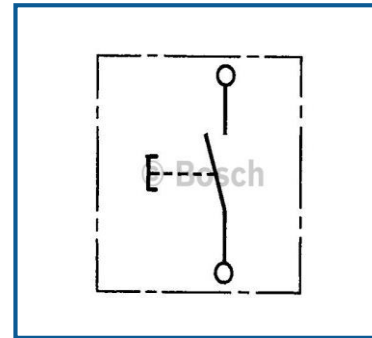
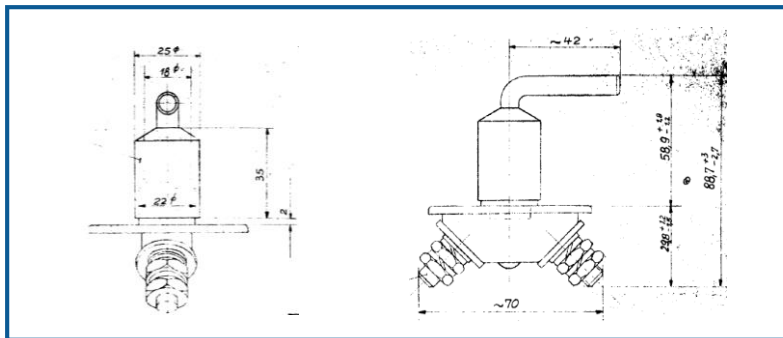
Glow-plug switches

page 95

Preheat lever switch

0 343 405 001

Fastening	Fitting	Conenction	Current	Voltage
Flush installation	$\varnothing 22$ mm 2 holes $\varnothing 6,4$ mm Hole spacing 38 mm	Bolts	100 A	12 V



[Back to overview](#)

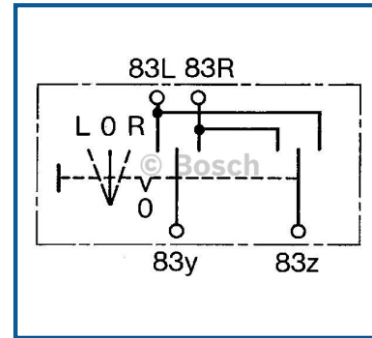
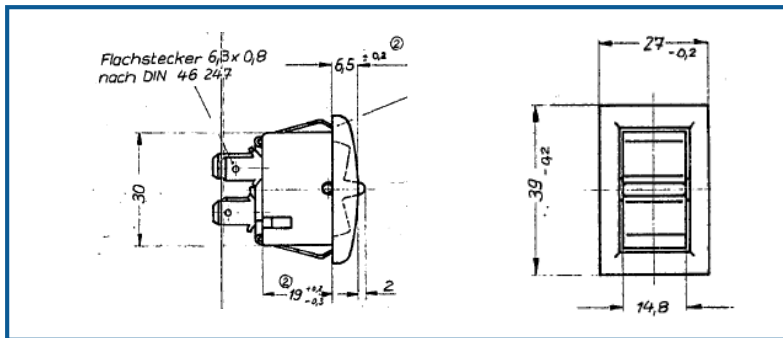
Motor- and equipment switches

page 97

Rocker switch Reversing changeover switch

0 343 302 003

Fastening	Connection	Current	Voltage
clamping spring, with or without mounting frame	Blade terminal	72 W	12 V



[Back to overview](#)

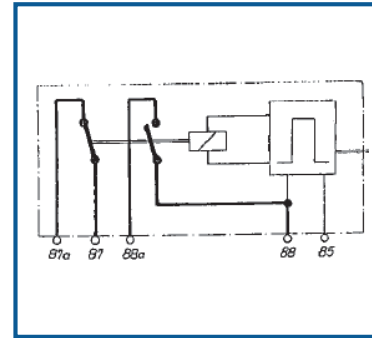
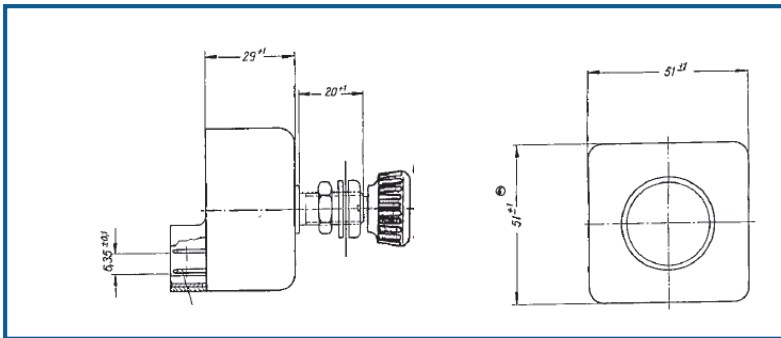
Wiper switches

From page 99 to 100

Rotary switch, wiper pulse generator, soft rubber knob, black

0 336 920 004

Pulse length	Fastening	Fitting	Conenction	Voltage
~ 0,4 s independent of load	Round nut M10 x 1	Ø 10,5 mm Wall thickness up to 9 mm	Blade terminal	6/12 V

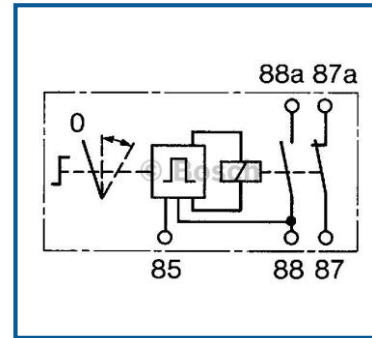
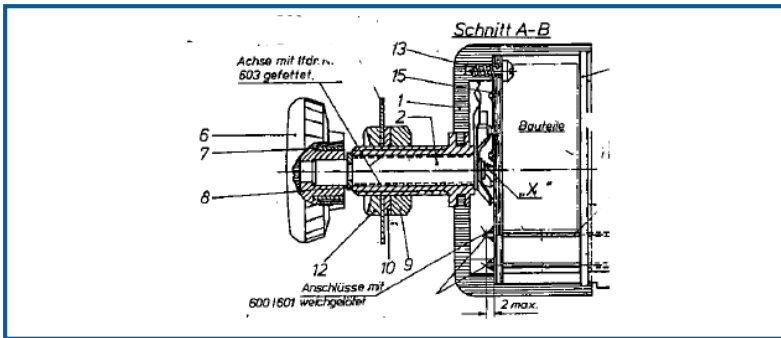


[Back to overview](#)

Rotary switch, wiper pulse generator, soft rubber knob, black

0 336 920 003

Pulse length	Fastening	Fitting	Conenction	Voltage
~ 0,4 s independent of load	Round nut M10 x 1	Ø 10,5 mm Wall thickness up to 9 mm	Blade terminal	24 V



[Back to overview](#)

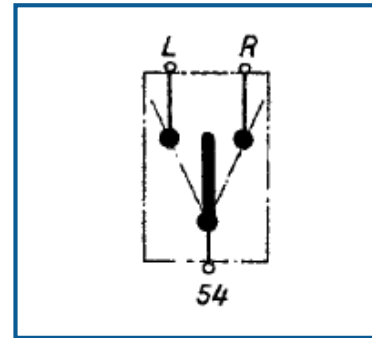
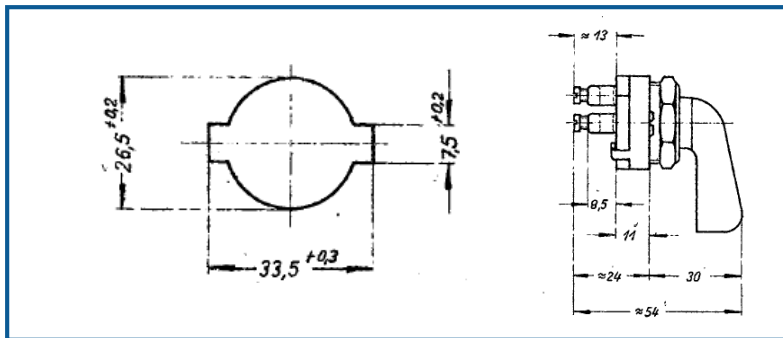
Turn-signal switches

From page 102 to 103

Rotary, single-circuit switch without indicator lamp

0 341 101 001

Fastening	Fitting	Connection	Voltage	Capacity
Polished aluminium octagon nut M26 x 1	Ø 26,5 mm with cutout Wall thickness up to 2mm	Screw terminals	12 V	45 W

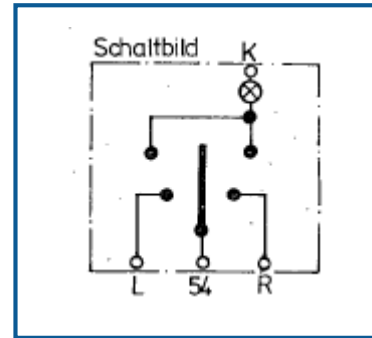
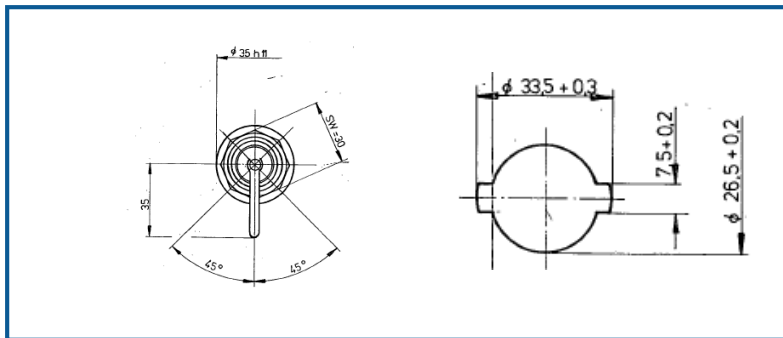


[Back to overview](#)

Rotary, single-circuit switch with indicator lamp

0 341 300 002

Fastening	Fitting	Connection	Voltage	Capacity
Polished aluminium octagon nut M26 x 1	Ø 26,5 mm with cutout Wall thickness up to 2mm	Screw terminal	12 V	60 W



[Back to overview](#)

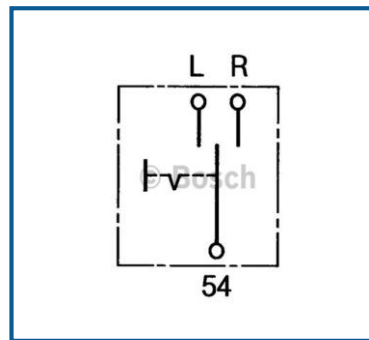
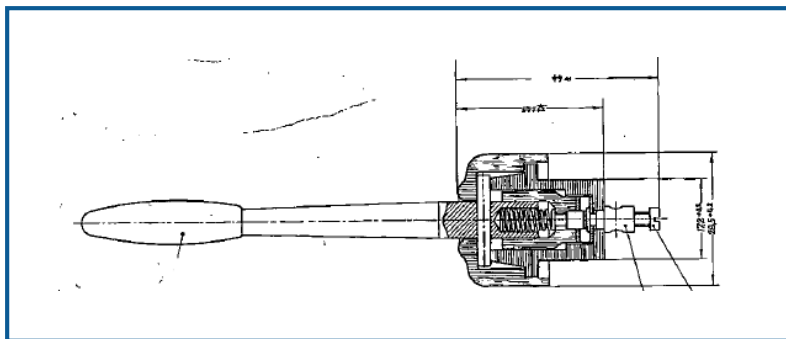
Turn-signal and combi-switches

From page 105 to 112

Lever-type turn-signal switch without headlamp-flasher contact

0 341 600 001

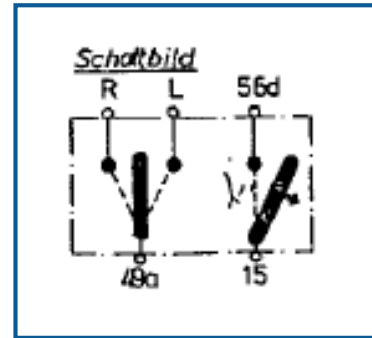
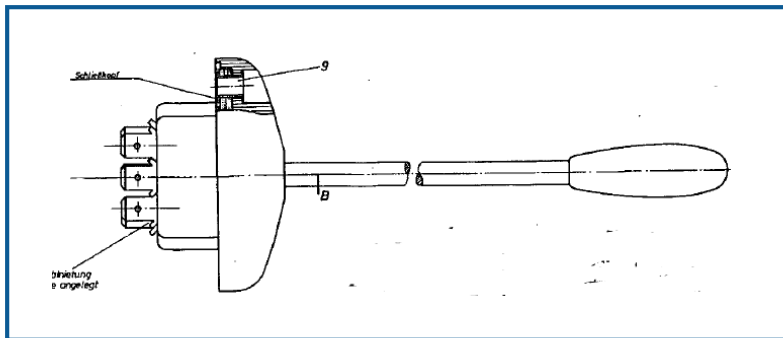
Fastening	Fitting	Connection	Length	Voltage	Capacity
2 holes Ø 4,2 mm Hole spacing 42 mm	Aperture 32 x 21 mm	Screw terminals	82 mm	24 V	60 W



[Back to overview](#)

Lever-type turn-signal switch with headlamp-flasher contact 0 341 810 005

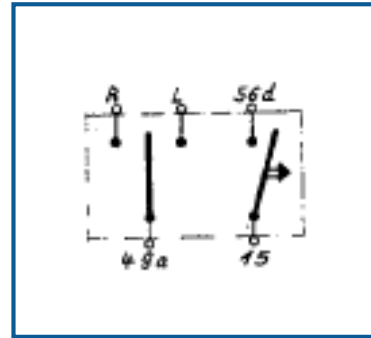
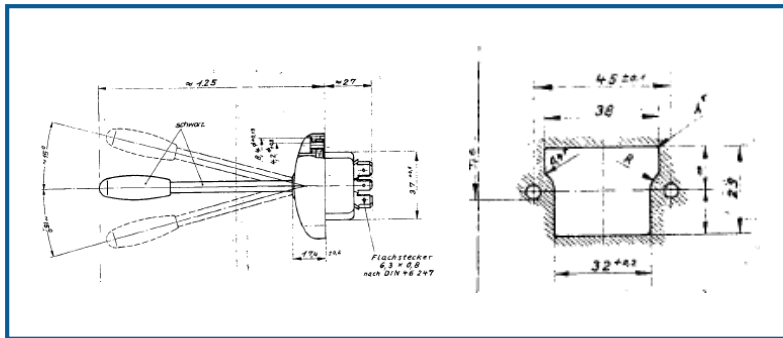
Fastening	Connection	Length	Voltage	Capacity
steering column with clamping band Ø 45 – Ø 55 mm	Blade terminal	148 mm	24 V	80/100 W



[Back to overview](#)

Lever-type turn-signal switch with headlamp-flasher contact 0 341 810 013

Fastening	Connection	Length	Voltage	Capacity
steering column with clamping band Ø 45 – Ø 55 mm	Blade terminal	109 mm	24 V	80/100 W

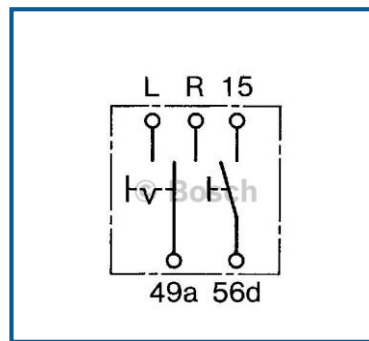
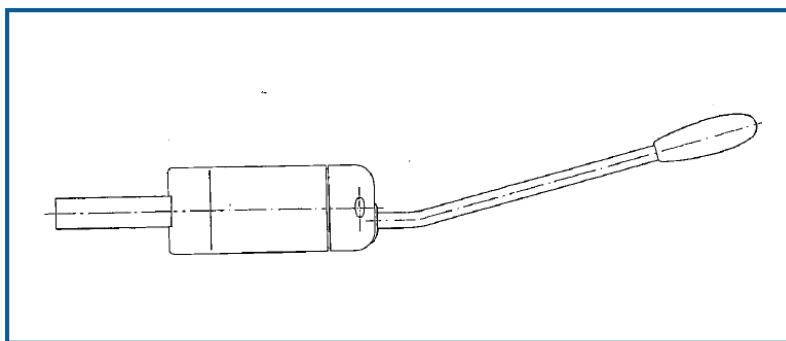


[Back to overview](#)

Lever-type turn-signal switch with headlamp-flasher contact

0 341 810 006

Fastening	Connection	Length	Voltage	Capacity
steering column with clamping band Ø 45 – Ø 55 mm	Blade terminal	148 mm	24 V	80/100 W

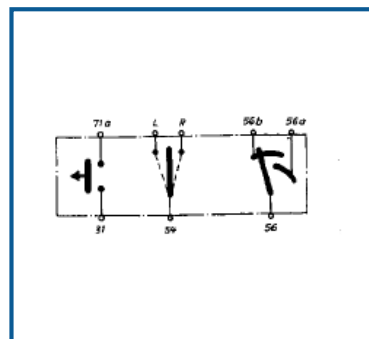
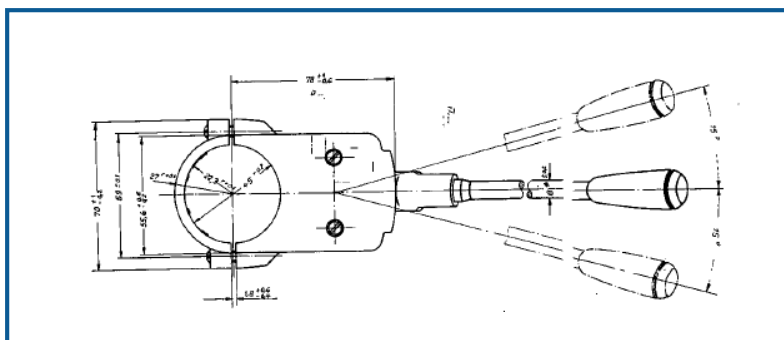


[Back to overview](#)

Lever-type combi-switch

0 341 810 007

Fastening	Connection	Length	Voltage	Capacity
Clamping ring Ø 45	8-pole flat-pin plug. Cables 400 mm	220 mm	24 V	110/60/85 W

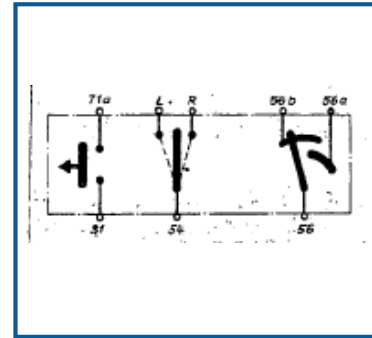
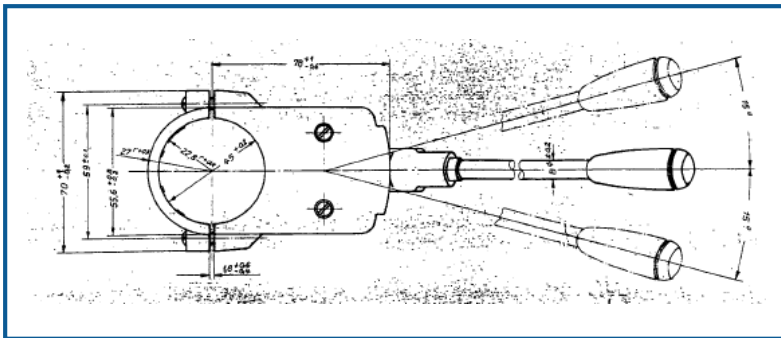


[Back to overview](#)

Lever-type combi-switch

0 341 810 008

Fastening	Connection	Length	Voltage	Capacity
Clamping ring Ø 45	8-pole flat-pin plug. Cables 400 mm	180 mm	24 V	110/60/85 W

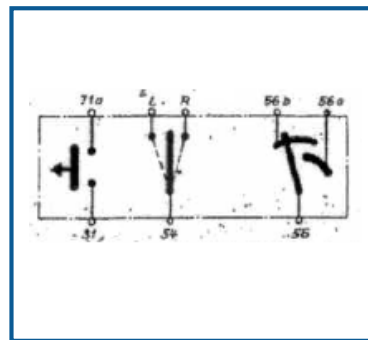
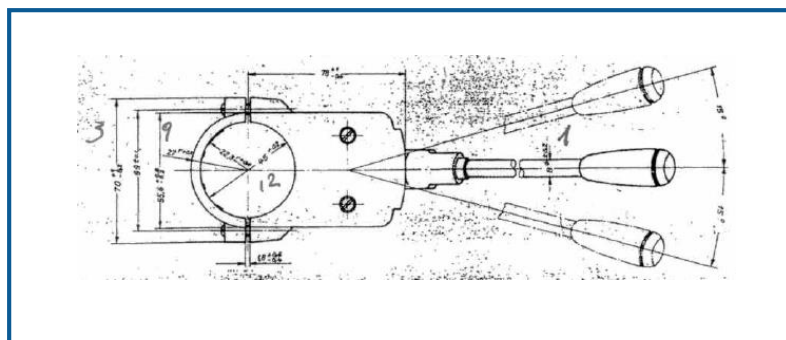


[Back to overview](#)

Lever-type combi-switch

0 341 810 009

Fastening	Connection	Length	Voltage	Capacity
Clamping ring Ø 45	8-pole flat-pin plug. Cables 400 mm	239 mm	24 V	110/60/85 W

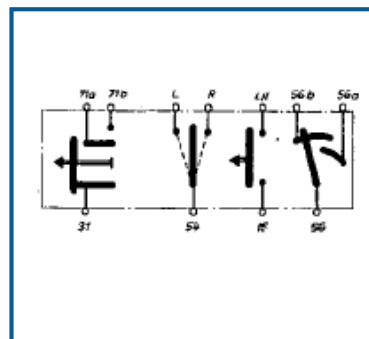
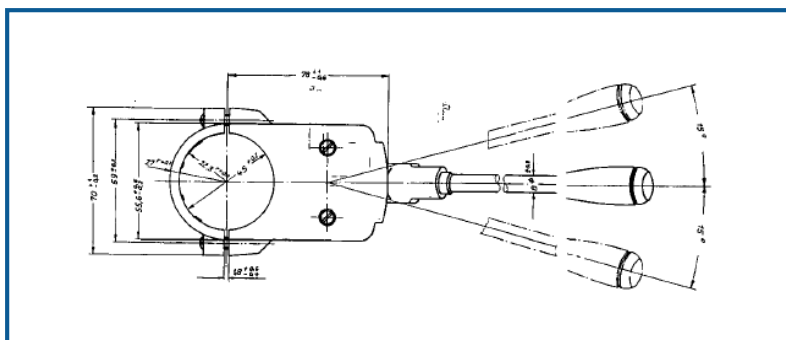


[Back to overview](#)

Lever-type combi-switch

0 341 810 010

Fastening	Connection	Length	Voltage	Capacity
Clamping ring Ø 45	8-pole flat-pin plug. Cables 400 mm	180 mm	24 V	110/60/85 W



[Back to overview](#)

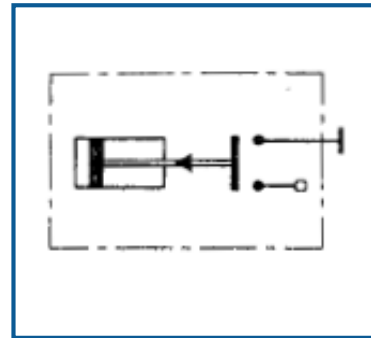
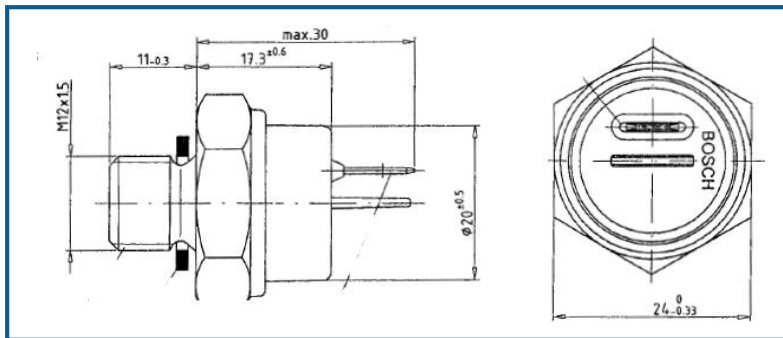
Multi-purpose pressure switches

from page 114 to 118

Pressure switch NO contact

0 986 345 202

Permissible pressure agents	Permissible operating temperature	Fastening	Connection	Voltage	Capacity	Permissible max. pressure	Switching range	Permissible operating pressure
Mineral oil, air	-40°C...+130°C	Screw in thread M12x1,5	Blade Terminal	24 V	2 W	10 bar	1,8 to 2,3 bar	6 bar

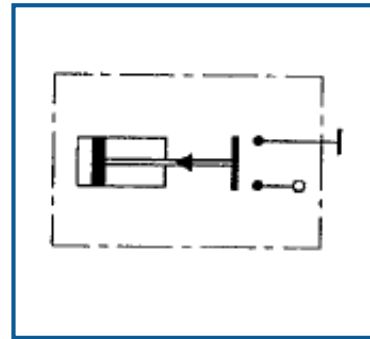
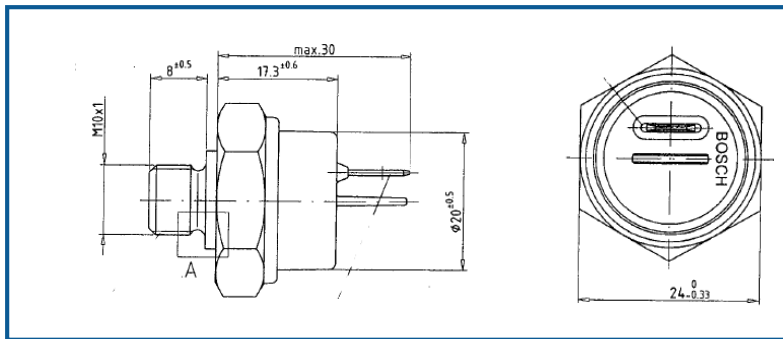


[Back to overview](#)

Pressure switch NO contact

0 986 345 203

Permissible pressure agents	Permissible operating temperature	Fastening	Connection	Voltage	Capacity	Permissible max. pressure	Switching range	Permissible operating pressure
Mineral oil, air	-25°C...+85°C	Screw in thread M10x1	Blade terminal	24 V	5 W	15 bar	0,1 to 0,5 bar	8 bar

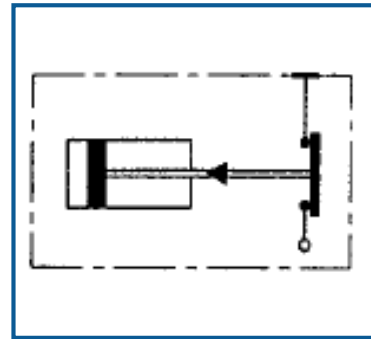
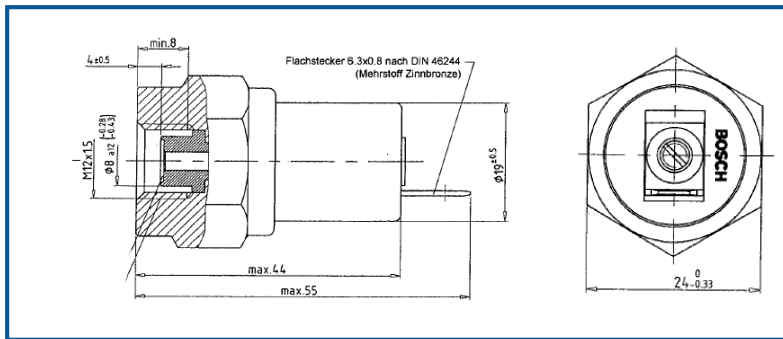


[Back to overview](#)

Pressure switch NC contact

0 986 345 501

Permissible pressure agents	Permissible operating temperature	Fastening	Connection	Voltage	Capacity	Permissible max. pressure	Switching range	Permissible operating pressure
Mineral oil, air	-40°C... +100 °C	Screw in thread M12 x 1,5	Blade terminal	24 V	5 W	12 bar	4,4 to 5,1 bar	8 bar

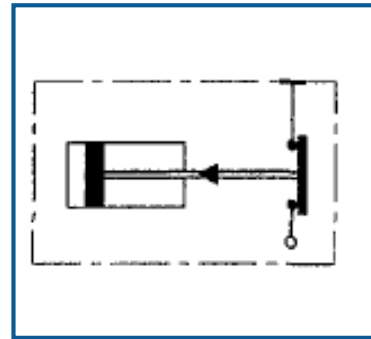
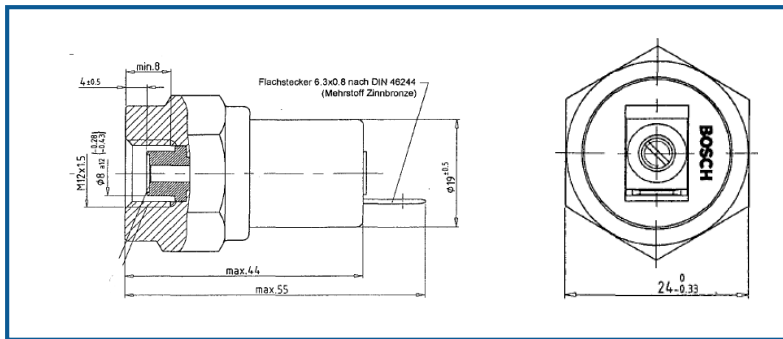


[Back to overview](#)

Pressure switch NC contact

0 986 345 503

Permissible pressure agents	Permissible operating temperature	Fastening	Connection	Voltage	Capacity	Permissible max. pressure	Switching range	Permissible operating pressure
Mineral oil, air	-40°C... +100 °C	Screw in thread M12 x 1,5	Blade terminal	24 V	5 W	15 bar	5,6 to 6,6 bar	12 bar

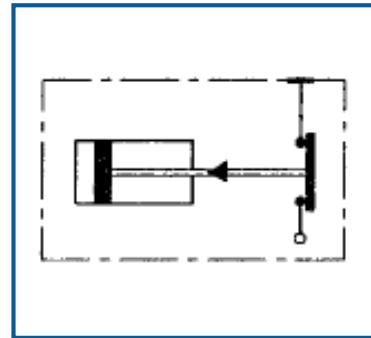
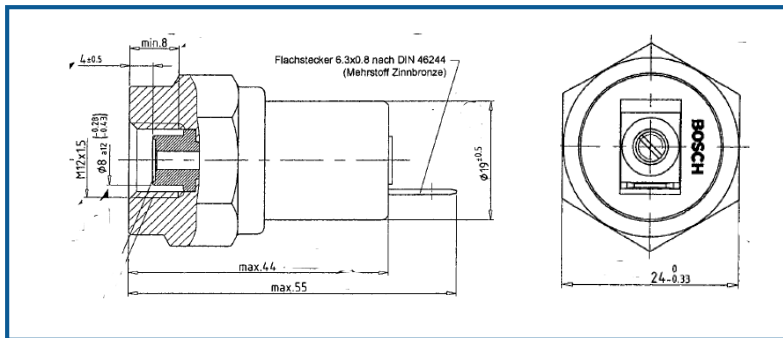


[Back to overview](#)

Pressure switch NC contact

0 986 345 502

Permissible pressure agents	Permissible operating temperature	Fastening	Connection	Voltage	Capacity	Permissible max. pressure	Switching range	Permissible operating pressure
Mineral oil, air	-40°C... +100 °C	Screw in thread M12 x 1,5	Blade terminal	24 V	5 W	18 bar	9,6 to 10,8 bar	18 bar



[Back to overview](#)

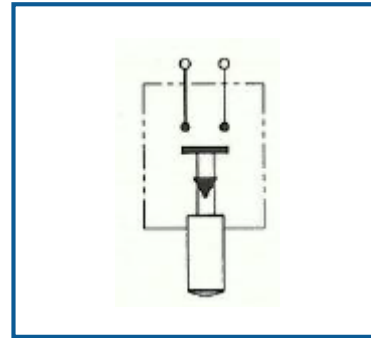
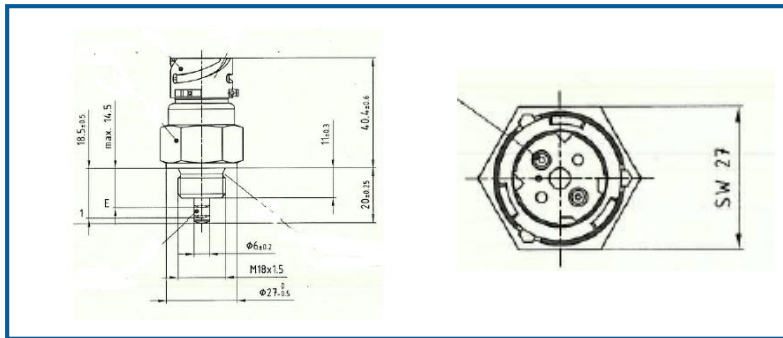
Universal pressure switch

From page 120 to 121

Mechanical pressure switch with bayonet connector

0 986 346 800

Operating temperature	Endurance test	Fastening	Connecting thread	Voltage	Capacity	Current
-30°C...+130°C	Up to 1,5 Mio. cycles	Screw in thread M12x1,5	M16x1,5 M18x1,5	5-32 V	135 W	5 A

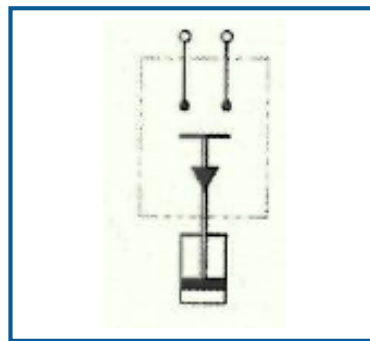
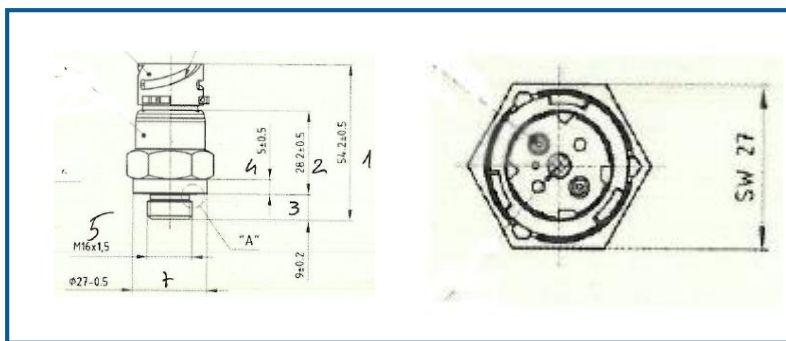


[Back to overview](#)

Pressure switch with bayonet connector

0 986 346 700

Operating temperature	Endurance test	Fastening	Connecting thread	Voltage	Capacity	Working pressure	Over pressure
-40°C...+100°C	Bis 1 Mio. Zyklen	Einschraubgewinde M12x1,5	M 10x1 M 12x1,5 M 16x1,5	12/24 V	30 W	12 bar	16 bar



[Back to overview](#)

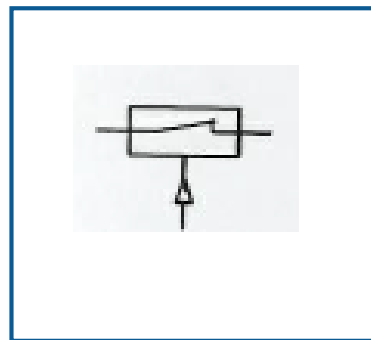
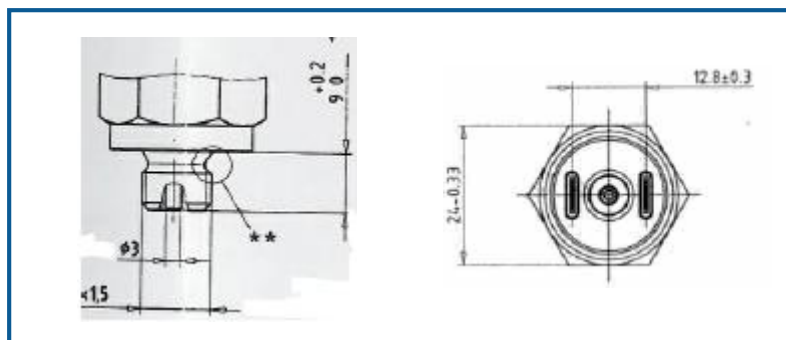
Pressure switch

From page 123 to 157

Pressure switch NC contact

0 986 346 001

Fastening	Operating pressure range	Connection	Voltage	Current
Screw in thread M12x1,5	2,0 +/- 0,2 bar	2 pole blade terminal 6,3 mm	24 V	15 A

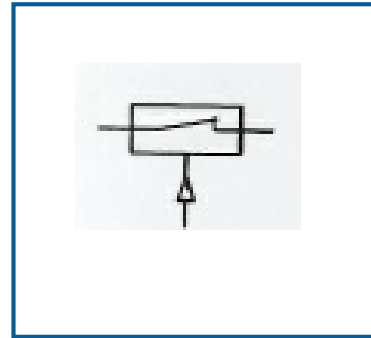
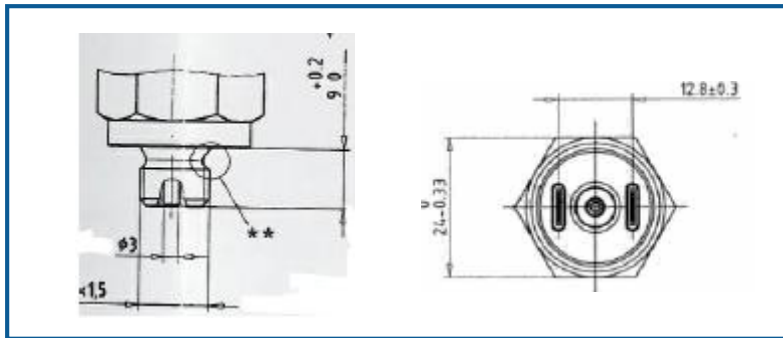


[Back to overview](#)

Pressure switch NC contact

0 986 346 002

Fastening	Operating pressure range	Connection	Voltage	Current
Screw in thread M12x1,5	4,0 +/- 0,4 bar	2 pole blade terminal 6,3 mm	24 V	15 A

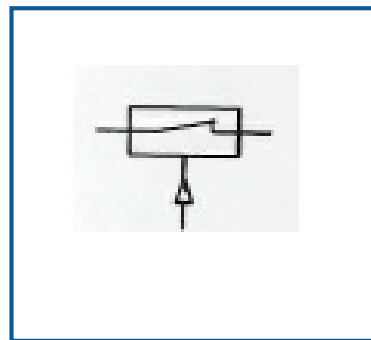
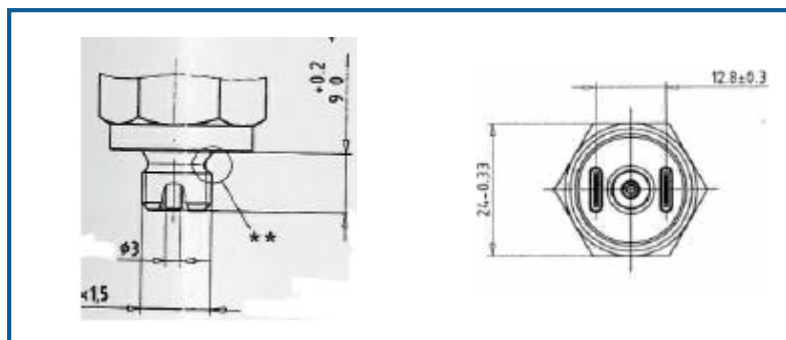


[Back to overview](#)

Pressure switch NC contact

0 986 346 003

Fastening	Operating pressure range	Connection	Voltage	Current
Screw in thread M12x1,5	0,15 +/- 0,1 bar	2 pole blade terminal 6,3 mm	24 V	15 A

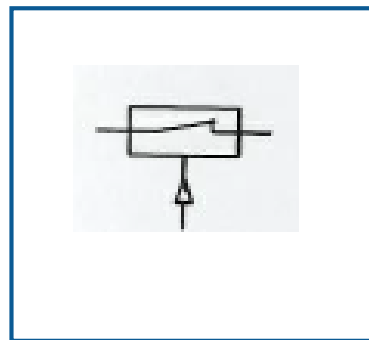
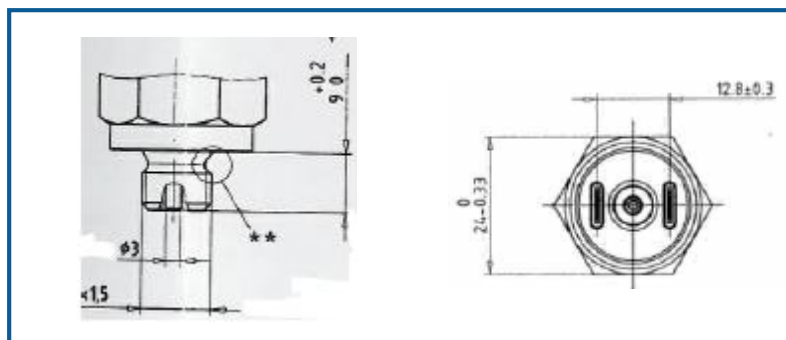


[Back to overview](#)

Pressure switch NC contact

0 986 346 004

Fastening	Operating pressure range	Connection	Voltage	Current
Screw in thread M12x1,5	0,5 +/- 0,15 bar	2 pole blade terminal 6,3 mm	24 V	15 A

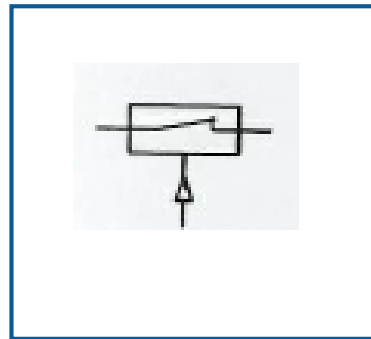
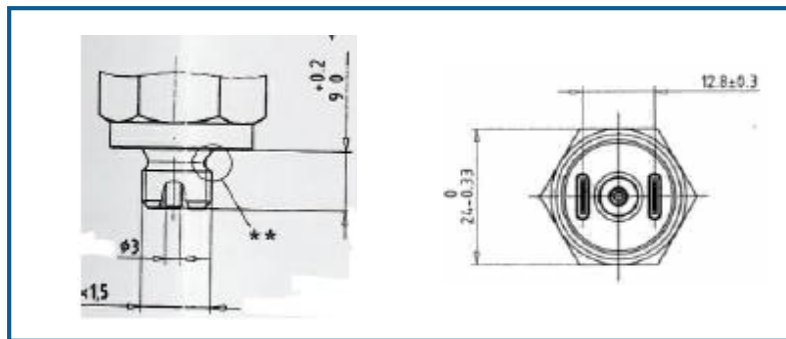


[Back to overview](#)

Pressure switch NC contact

0 986 346 005

Fastening	Operating pressure range	Connection	Voltage	Current
Screw in thread M12x1,5	6,0 +/- 0,6 bar	2 pole blade terminal 6,3 mm	24 V	15 A

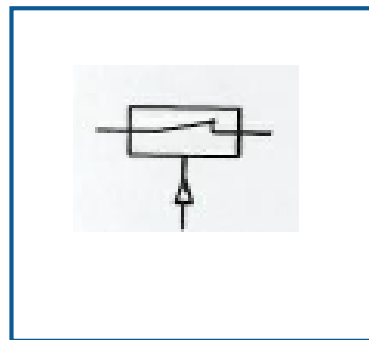
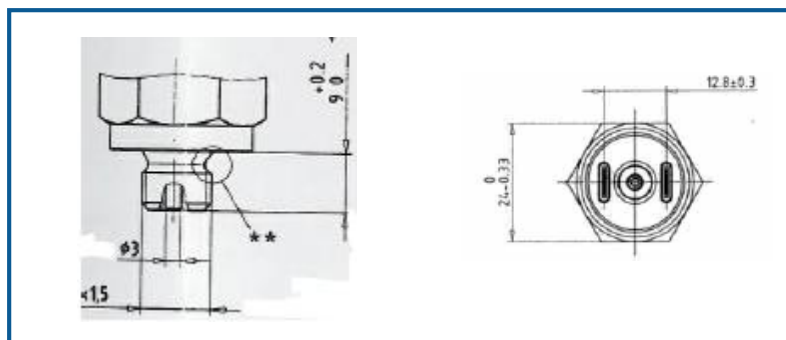


[Back to overview](#)

Pressure switch NC contact

0 986 346 006

Fastening	Operating pressure range	Connection	Voltage	Current
Screw in thread M12x1,5	2,5 +/- 0,3 bar	2 pole blade terminal 6,3 mm	24 V	15 A

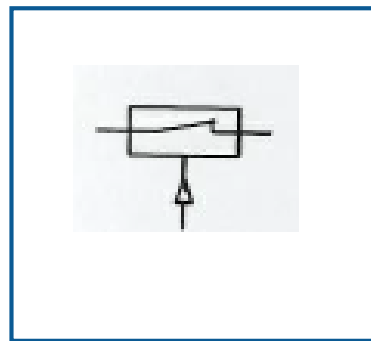
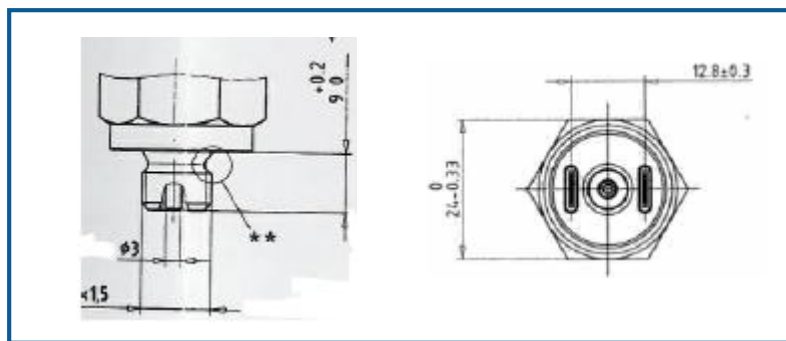


[Back to overview](#)

Pressure switch NC contact

0 986 346 007

Fastening	Operating pressure range	Connection	Voltage	Current
Screw in thread M12x1,5	1,0 +/- 0,2 bar	2 pole blade terminal 6,3 mm	24 V	15 A

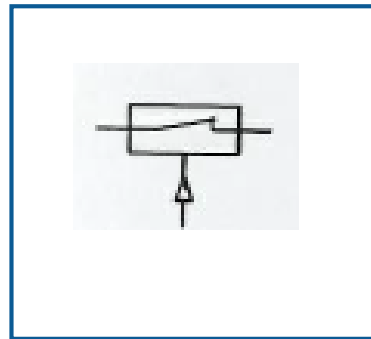
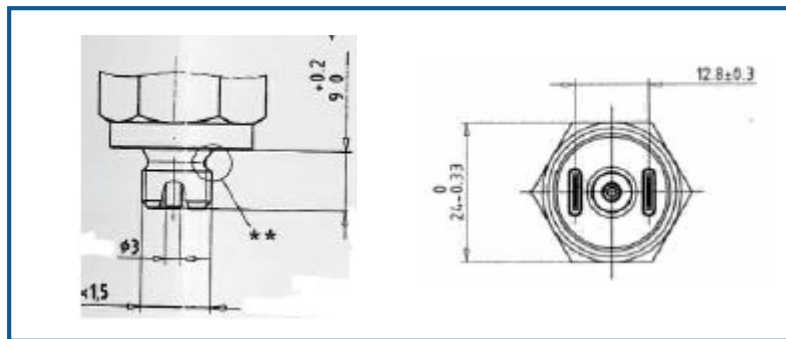


[Back to overview](#)

Pressure switch NC contact

0 986 346 008

Fastening	Operating pressure range	Connection	Voltage	Current
Screw in thread M12x1,5	4,5 +/- 0,5 bar	2 pole blade terminal 6,3 mm	24 V	15 A

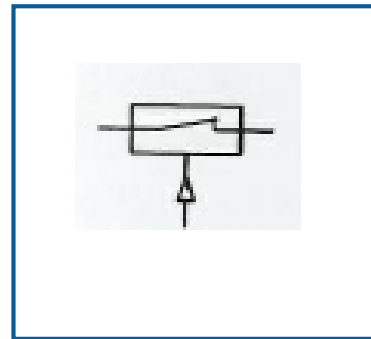
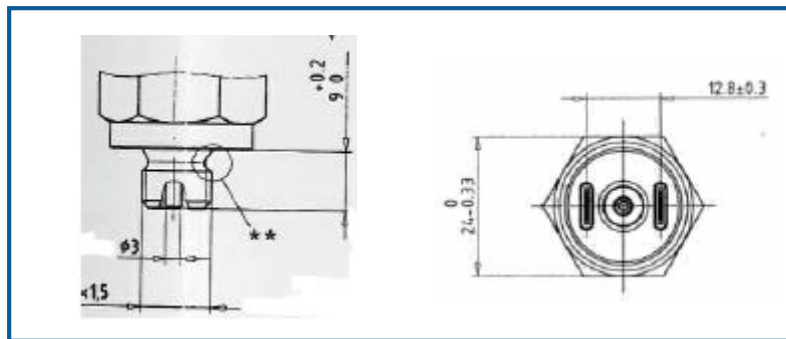


[Back to overview](#)

Pressure switch NC contact

0 986 346 009

Fastening	Operating pressure range	Connection	Voltage	Current
Screw in thread M12x1,5	5,0 +/- 0,5 bar	2 pole blade terminal 6,3 mm	24 V	15 A

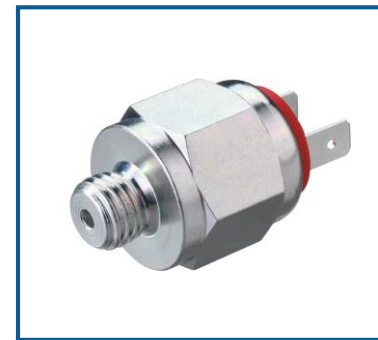
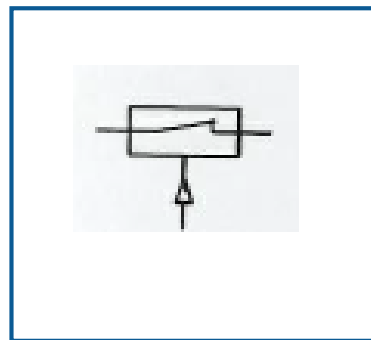
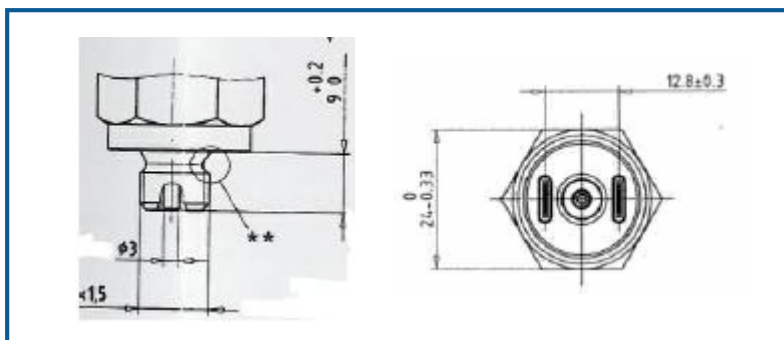


[Back to overview](#)

Pressure switch NC contact

0 986 346 010

Fastening	Operating pressure range	Connection	Voltage	Current
Screw in thread M12x1,5	0,8 +/- 0,15 bar	2 pole blade terminal 6,3 mm	24 V	15 A

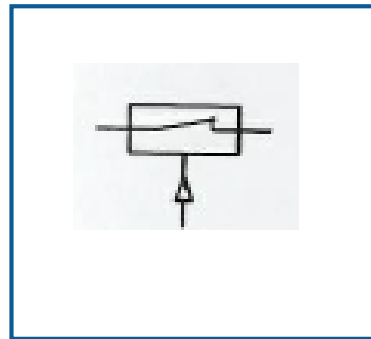
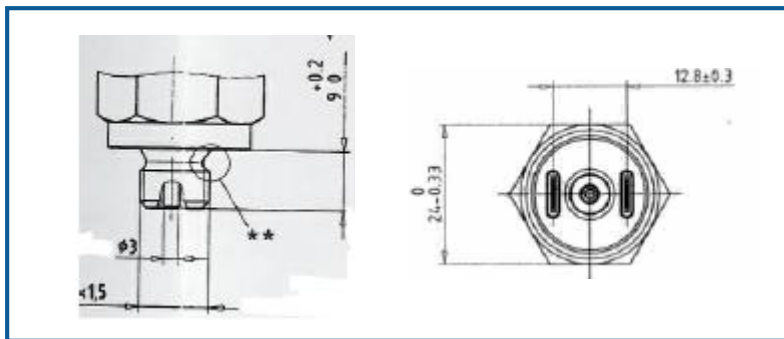


[Back to overview](#)

Pressure switch NC contact

0 986 346 011

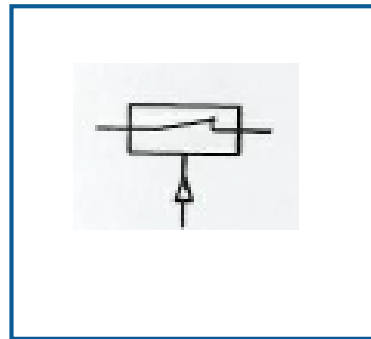
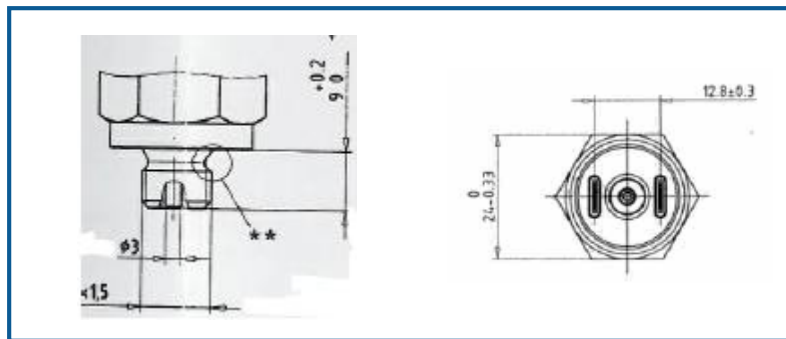
Fastening	Operating pressure range	Connection	Voltage	Current
Screw in terminal M12x1,5	3,0 +/- 0,3 bar	2 pole blade terminal 6,3 mm	24 V	15 A



[Back to overview](#)

Pressure switch NC contact 0 986 346 012

Fastening	Operating pressure range	Connection	Voltage	Current
Screw in thread M12x1,5	5,5 +/- 0,6 bar	2 pole blade terminal 6,3 mm	24 V	15 A

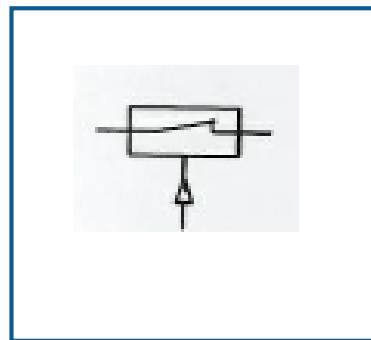
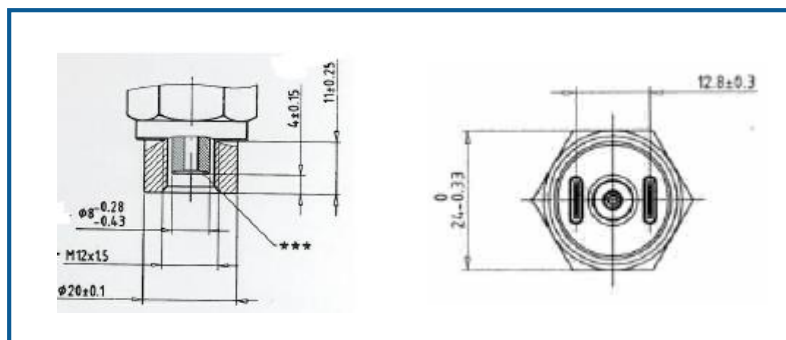


[Back to overview](#)

Pressure switch NC contact

0 986 346 021

Fastening	Operating pressure range	Connection	Voltage	Current
Screw in thread M12x1,5 (Internal thread)	0,15 +/- 0,1 bar	2 pole blade terminal 6,3 mm	24 V	15 A

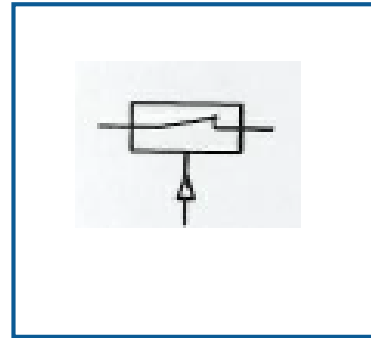
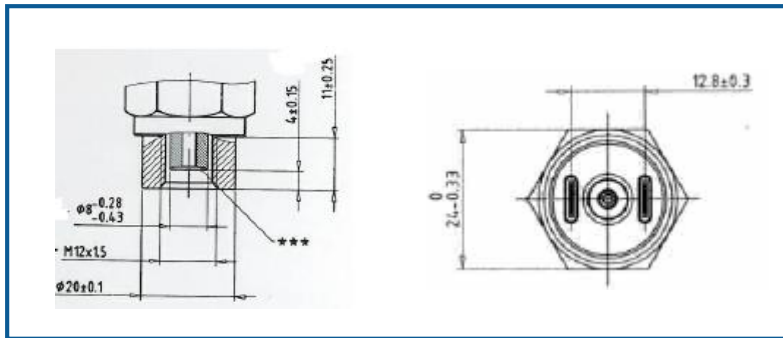


[Back to overview](#)

Pressure switch NC contact

0 986 346 022

Fastening	Operating pressure range	Connection	Voltage	Current
Screw in thread M12x1,5 (Internal thread)	0,5 +/- 0,15 bar	2 pole blade terminal 6,3 mm	24 V	15 A

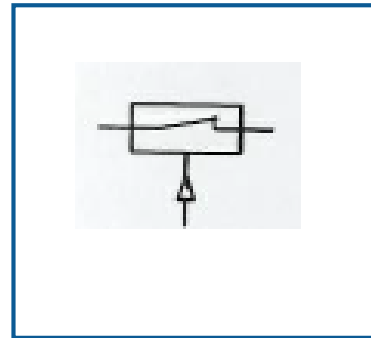
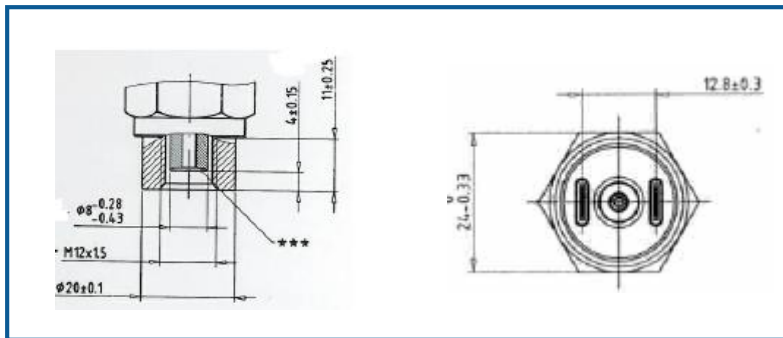


[Back to overview](#)

Pressure switch NC contact

0 986 346 023

Fastening	Operating pressure range	Connection	Voltage	Current
Screw in terminal M12x1,5 (Internal thread)	4,0 +/- 0,4 bar	2 pole blade terminal 6,3 mm	24 V	15 A

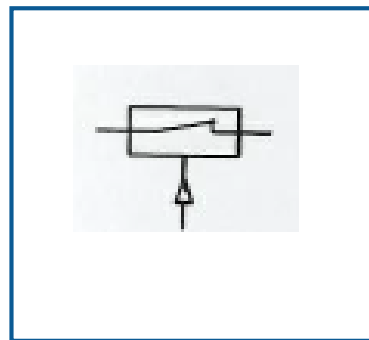
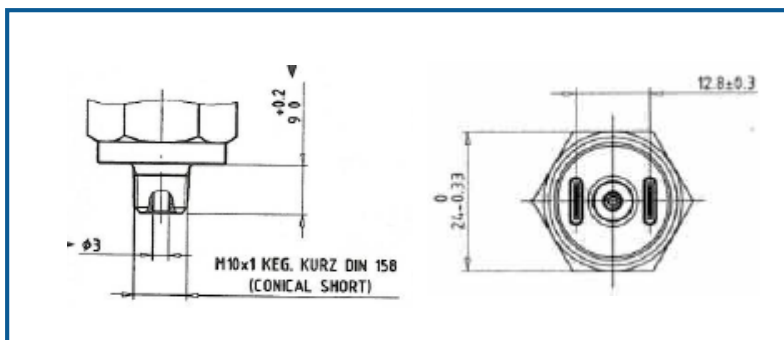


[Back to overview](#)

Pressure switch NC contact

0 986 346 032

Fastening	Operating pressure range	Connection	Voltage	Current
Screw in thread M10x1 (tapered short)	2,0 +/- 0,2 bar	2 pole blade terminal 6,3 mm	24 V	15 A

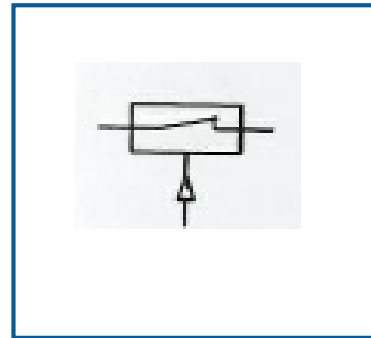
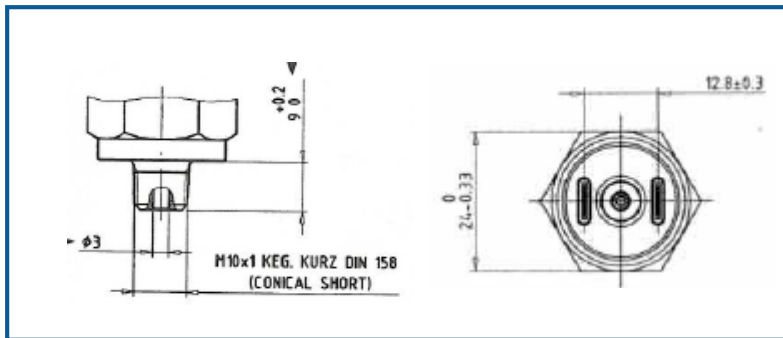


[Back to overview](#)

Pressure switch NC contact

0 986 346 033

Fastening	Operating pressure range	Connection	Voltage	Current
Screw in thread M10x1 (tapered short)	3,0 +/- 0,3 bar	2 pole blade terminal 6,3 mm	24 V	15 A

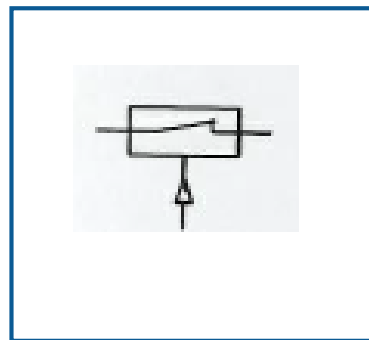
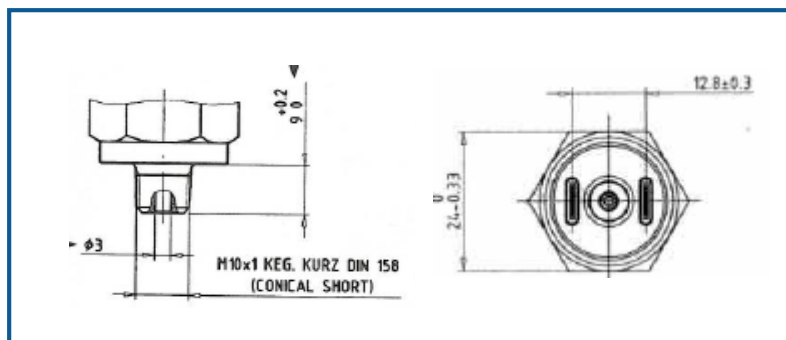


[Back to overview](#)

Pressure switch NC contact

0 986 346 034

Fastening	Operating pressure range	Connection	Voltage	Current
Screw in thread M10x1 (tapered short)	4,0 +/- 0,4 bar	2 pole blade terminal 6,3 mm	24 V	15 A

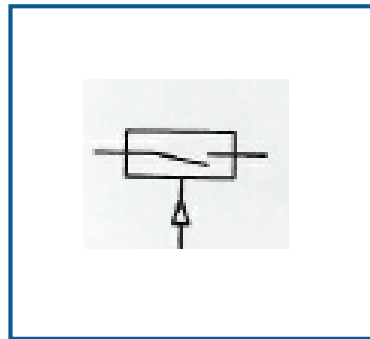
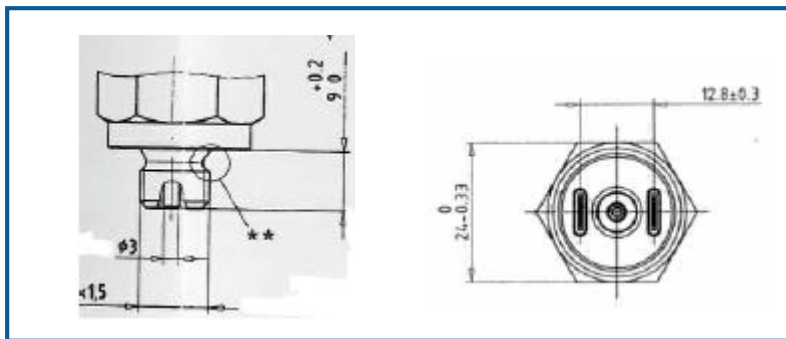


[Back to overview](#)

Pressure switch NO contact

0 986 346 051

Fastening	Operating pressure range	Connection	Voltage	Current
Screw in thread M12x1,5	5,5 +/- 0,6 bar	2 pole blade terminal 6,3 mm	24 V	15 A

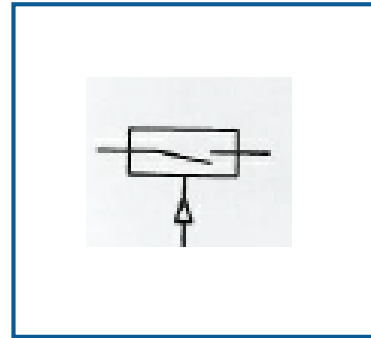
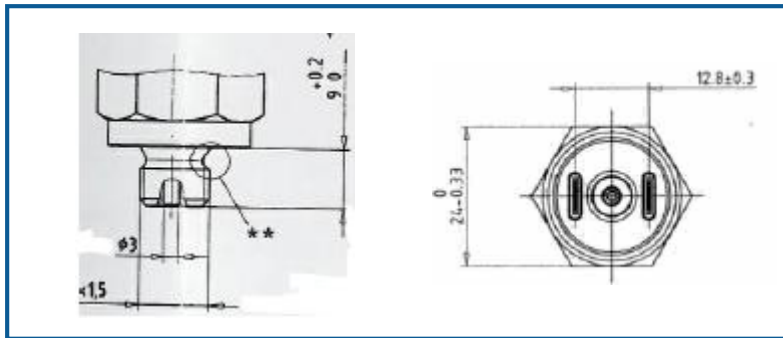


[Back to overview](#)

Pressure switch NO contact

0 986 346 052

Befestigung	Schaltdruckbereich	Anschluss	Volt	Stromstärke
Screw in thread M12x1,5	2,0 +/- 0,2 bar	2 pole blade terminal 6,3 mm	24 V	15 A

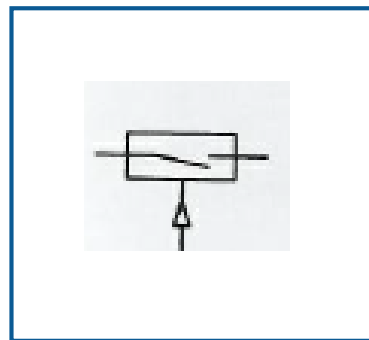
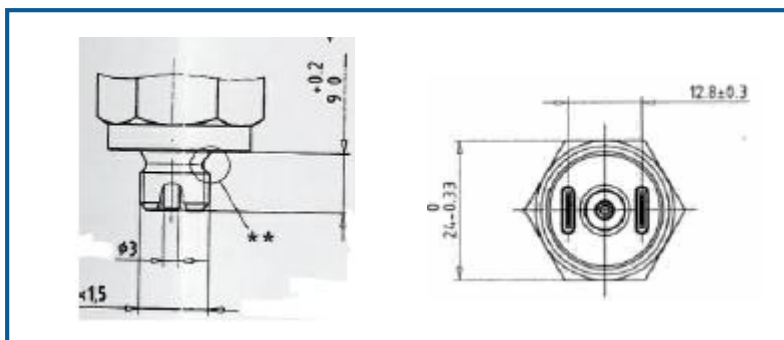


[Back to overview](#)

Pressure switch NO contact

0 986 346 053

Fastening	Operating pressure range	Connection	Voltage	Current
Screw in thread M12x1,5	0,3 +/- 0,1 bar	2 pole blade terminal 6,3 mm	24 V	15 A

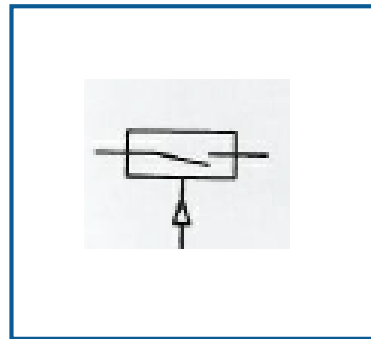
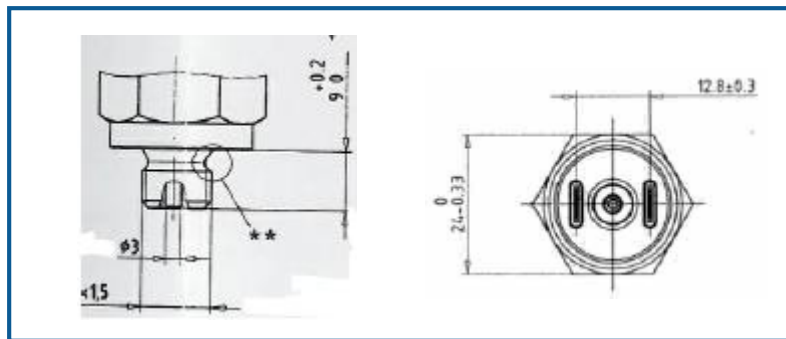


[Back to overview](#)

Pressure switch NO contact

0 986 346 054

Fastening	Operating pressure range	Connection	Voltage	Current
Screw in thread M12x1,5	3,5 +/- 0,4 bar	2 pole blade terminal 6,3 mm	24 V	15 A

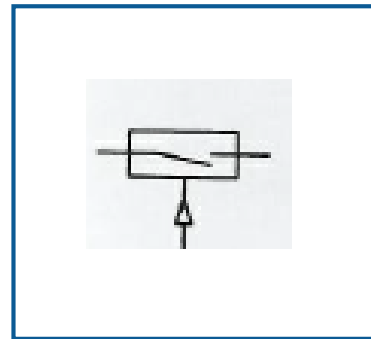
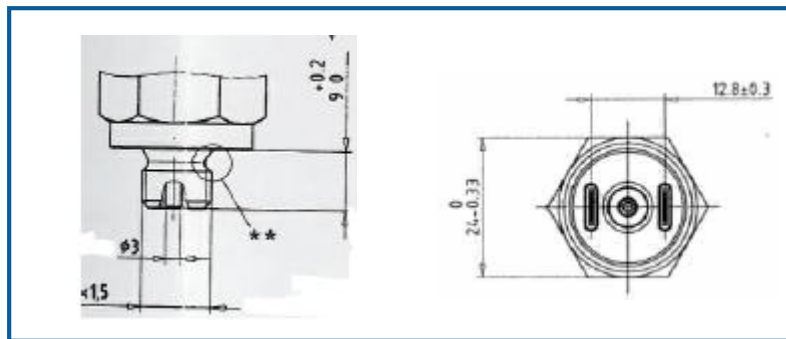


[Back to overview](#)

Pressure switch NO contact

0 986 346 055

Fastening	Operating pressure range	Connection	Voltage	Current
Screw in thread M12x1,5	4,1 +/- 0,4 bar	2 pole blade terminal 6,3 mm	24 V	15 A

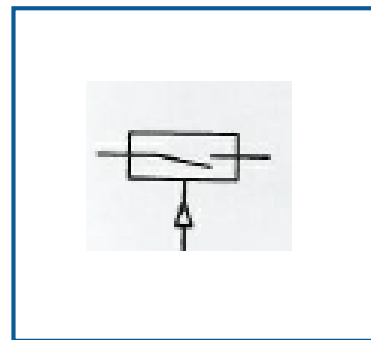
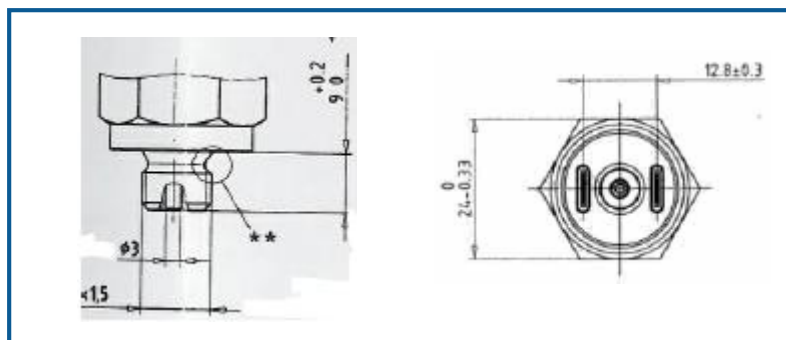


[Back to overview](#)

Pressure switch NO contact

0 986 346 056

Fastening	Operating pressure range	Connection	Voltage	Current
Screw in thread M12x1,5	4,5 +/- 0,5 bar	2 pole blade terminal 6,3 mm	24 V	15 A

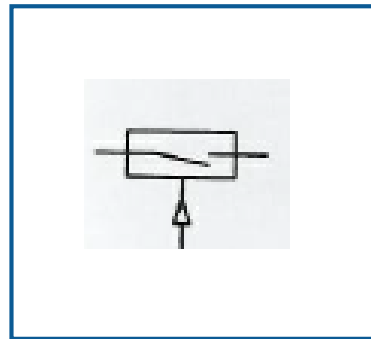
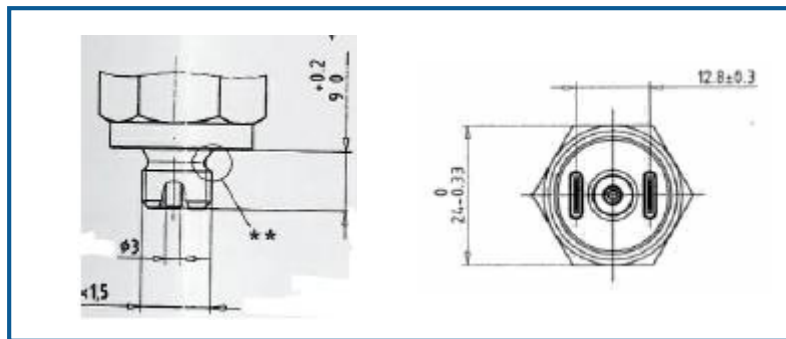


[Back to overview](#)

Pressure switch NO contact

0 986 346 057

Fastening	Operating pressure range	Connection	Voltage	Current
Screw in thread M12x1,5	5,0 +/- 0,5 bar	2 pole blade terminal 6,3 mm	24 V	15 A

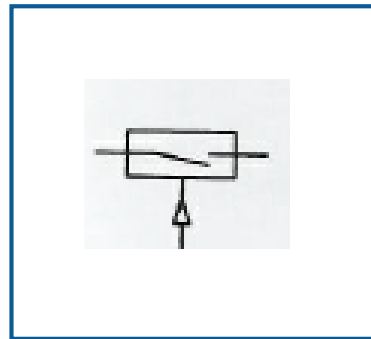
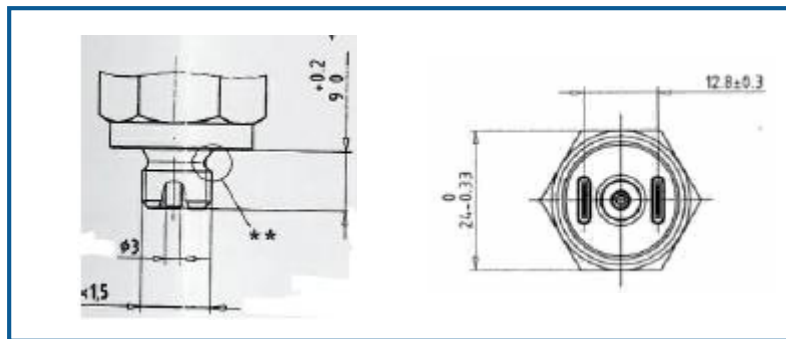


[Back to overview](#)

Pressure switch NO contact

0 986 346 058

Fastening	Operating pressure range	Connection	Voltage	Current
Screw in thread M12x1,5	1,2 +/- 0,2 bar	2 pole blade terminal 6,3 mm	24 V	15 A

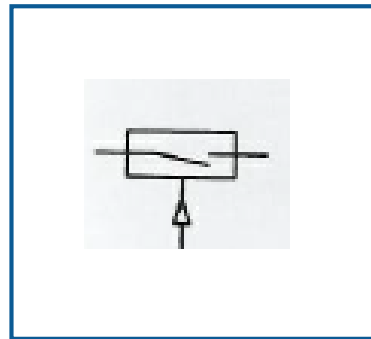
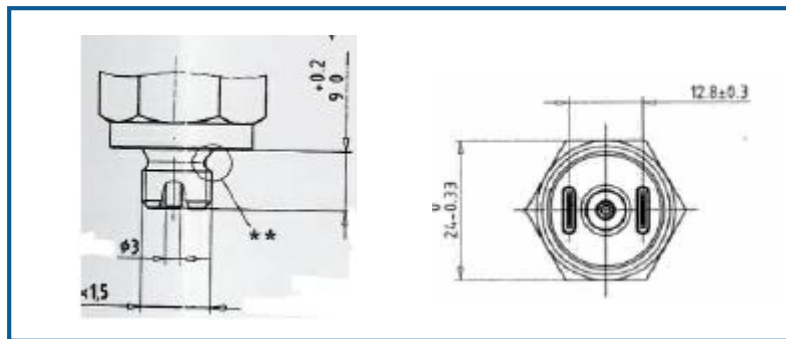


[Back to overview](#)

Pressure switch NO contact

0 986 346 059

Fastening	Operating pressure range	Connection	Voltage	Current
Screw in thread M12x1,5	6,0 +/- 0,6 bar	2 pole blade terminal 6,3 mm	24 V	15 A

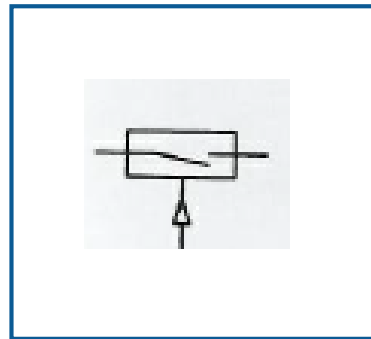
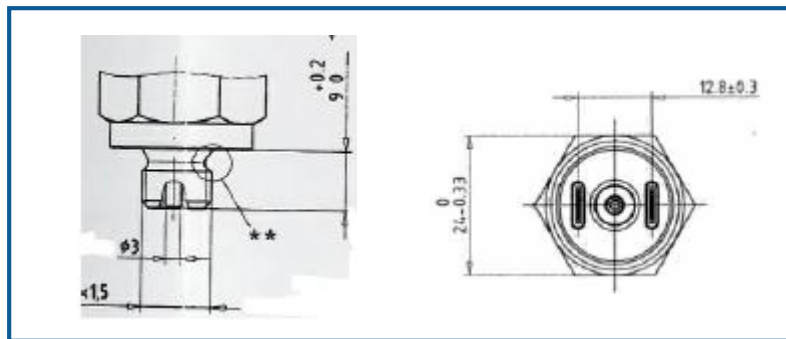


[Back to overview](#)

Pressure switch NO contact

0 986 346 060

Befestigung	Schaltdruckbereich	Anschluss	Volt	Stromstärke
Screw in thread M12x1,5	5,2 +/- 0,5 bar	2 pole blade terminal 6,3 mm	24 V	15 A

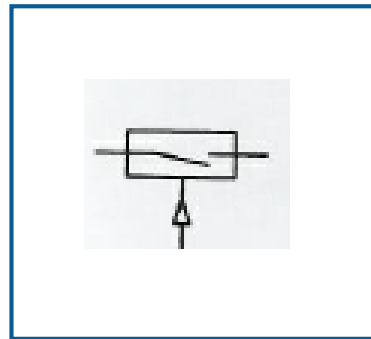
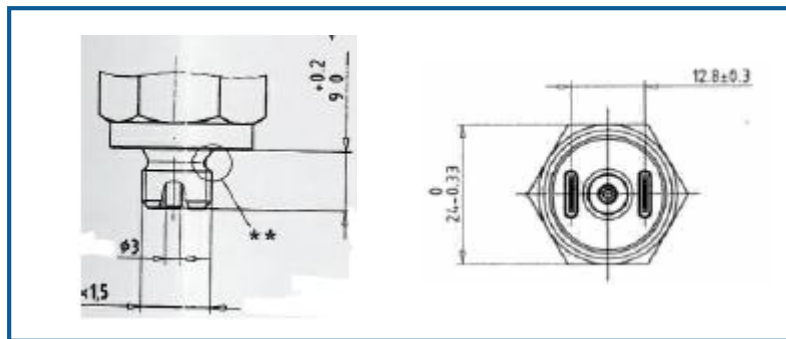


[Back to overview](#)

Pressure switch NO contact

0 986 346 061

Fastening	Operating pressure range	Connection	Voltage	Current
Screw in thread M12x1,5	5,7 +/- 0,6 bar	2 pole blade terminal 6,3 mm	24 V	15 A

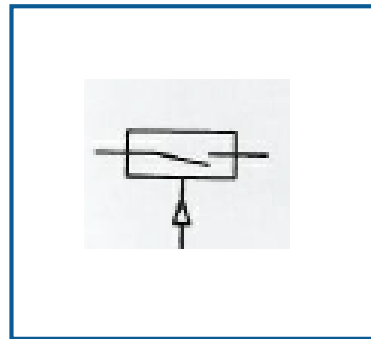
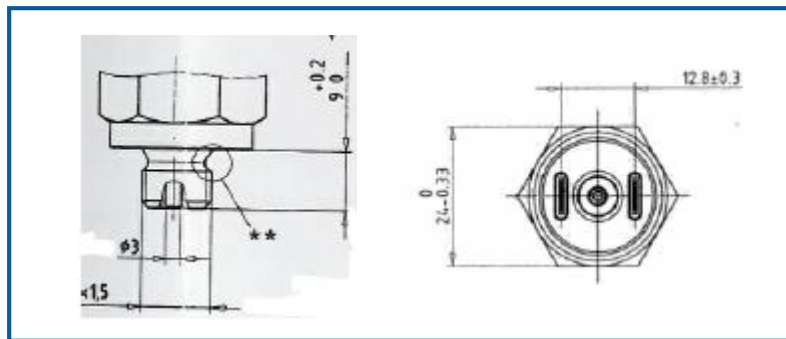


[Back to overview](#)

Pressure switch NO contact

0 986 346 062

Fastening	Operating pressure range	Connection	Voltage	Current
Screw in thread M12x1,5	6,6 +/- 0,6 bar	2 pole blade terminal 6,3 mm	24 V	15 A

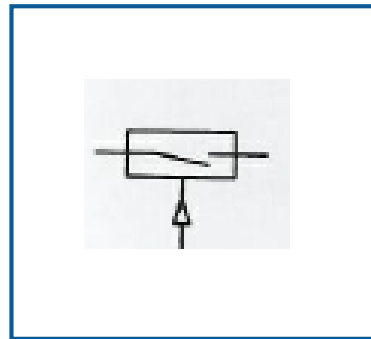
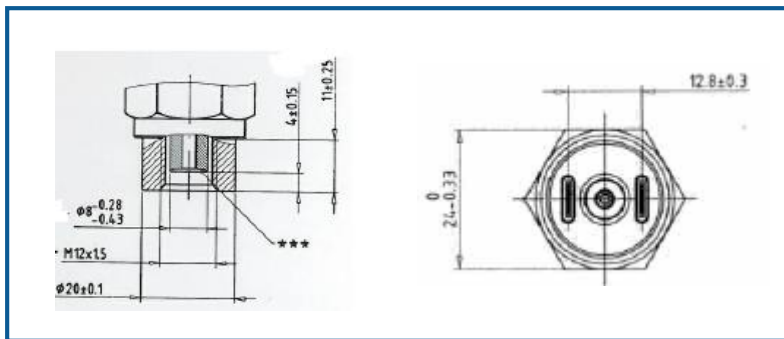


[Back to overview](#)

Pressure switch NO contact

0 986 346 071

Fastening	Operating pressure range	Connection	Voltage	Current
Screw in thread M12x1,5 (Internal thread)	4,5 +/- 0,5 bar	2 pole blade terminal 6,3 mm	24 V	15 A

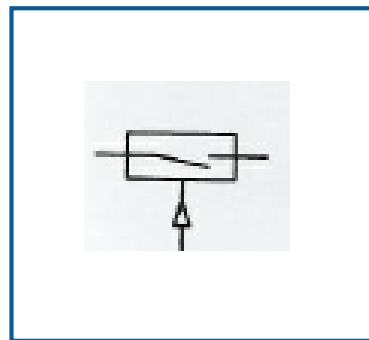
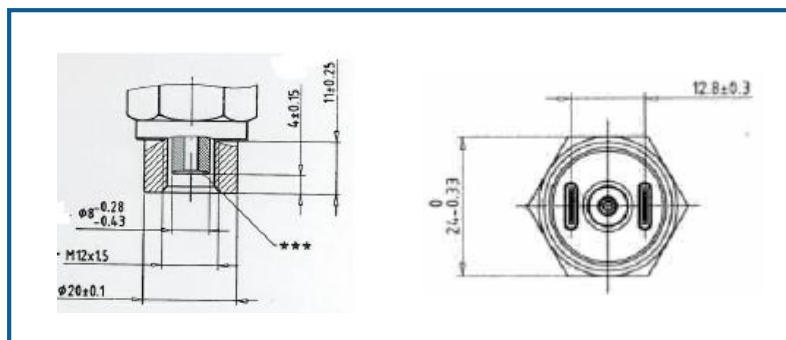


[Back to overview](#)

Pressure switch NO contact

0 986 346 072

Fastening	Operating pressure range	Connection	Voltage	Current
Screw in thread M12x1,5 (Internal thread)	5,5 +/- 0,6 bar	2 pole blade terminal 6,3 mm	24 V	15 A

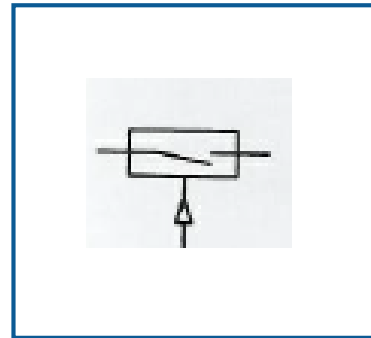
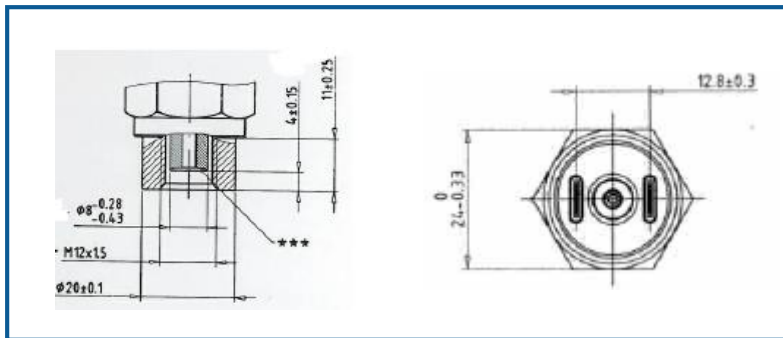


[Back to overview](#)

Pressure switch NO contact

0 986 346 073

Fastening	Operating pressure range	Connection	Voltage	Current
Screw in thread M12x1,5 (Internal thread)	5,7 +/- 0,6 bar	2 pole blade terminal 6,3 mm	24 V	15 A

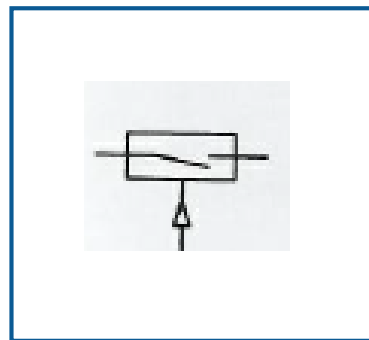
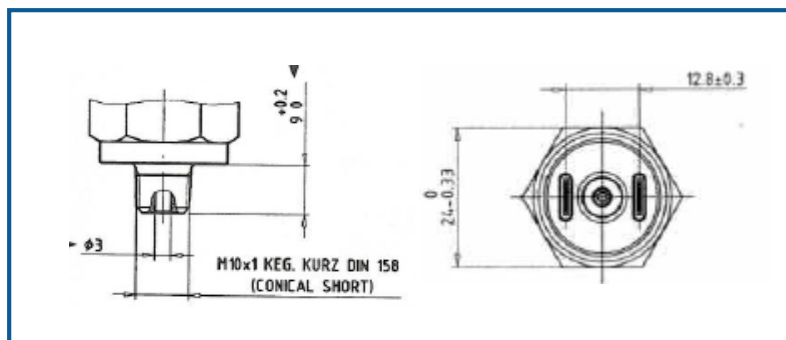


[Back to overview](#)

Pressure switch NO contact

0 986 346 081

Fastening	Operating pressure range	Connection	Voltage	Current
Screw in thread M10x1 (tapered short)	4,2 +/- 0,4 bar	2 pole blade terminal 6,3 mm	24 V	15 A

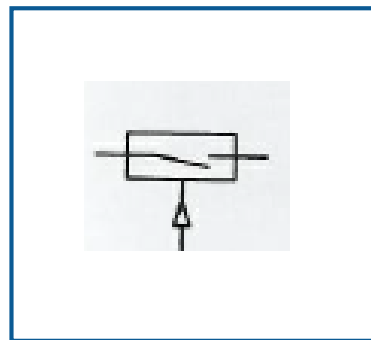
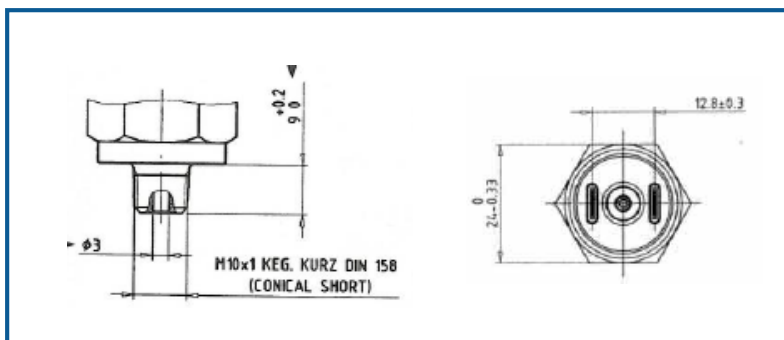


[Back to overview](#)

Pressure switch NO contact

0 986 346 082

Fastening	Operating pressure range	Connection	Voltage	Current
Screw in thread M10x1 (tapered short)	2,0 +/- 0,2 bar	2 pole blade terminal 6,3 mm	24 V	15 A



[Back to overview](#)

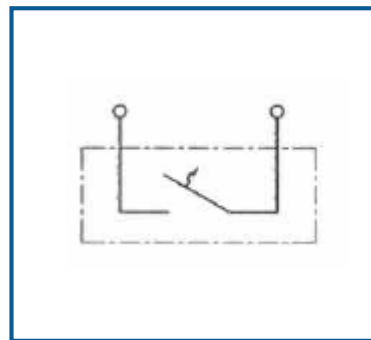
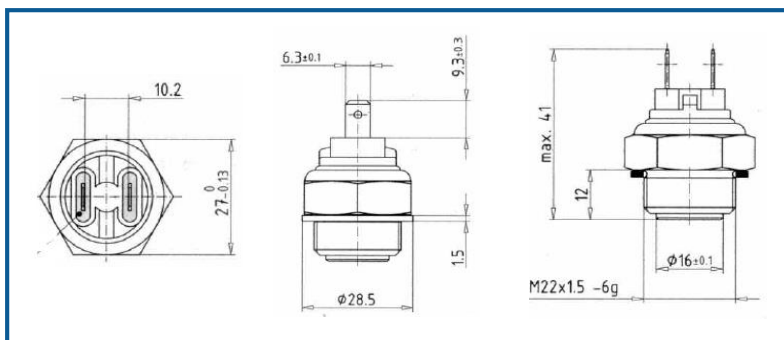
Temperature switch

From page 159 to 162

Temperature switch

0 986 347 005

Fastening	Temperature range	Connection	Voltage	Current
Screw in thread M22x1 5-6g	92°C...87°C	2 pole blade terminal 6,3 mm	24 V	15 A

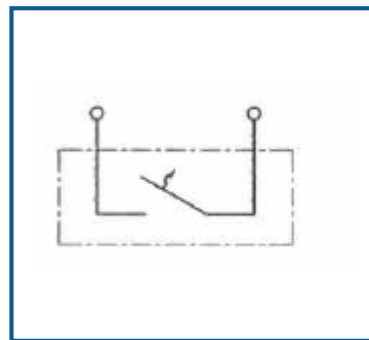
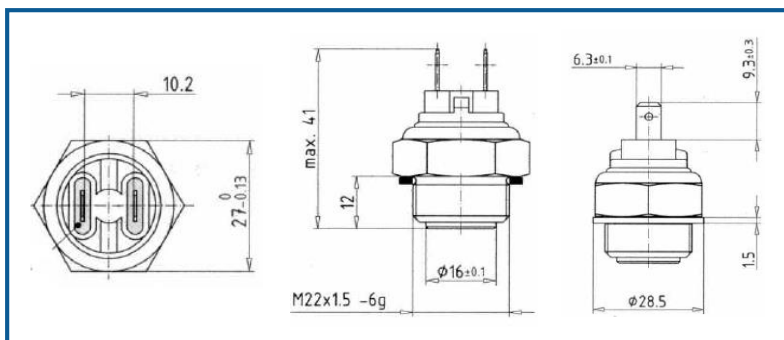


[Back to overview](#)

Temperature switch

0 986 347 003

Fastening	Temperature range	Connection	Voltage	Current
Screw in thread M22x1 5-6g	88°C...79°C	2 pole blade terminal 6,3 mm	24 V	15 A

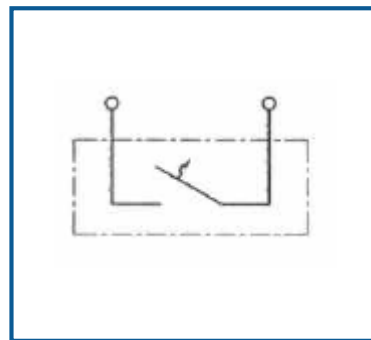
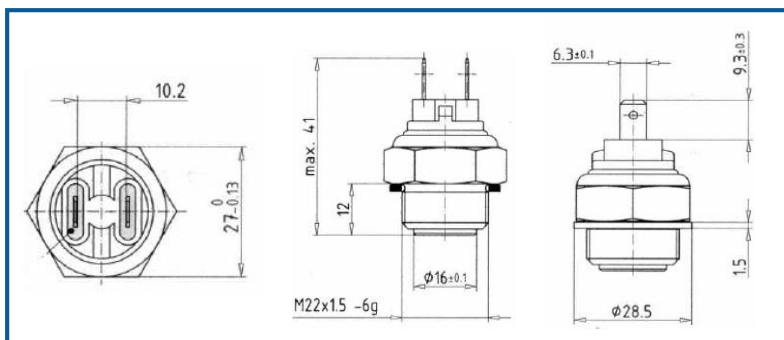


[Back to overview](#)

Temperature switch

0 986 347 004

Fastening	Temperature range	Connection	Voltage	Current
Screw in terminal M22x1 5-6g	95°C...86°C	2 pole blade terminal 6,3 mm	24 V	15 A

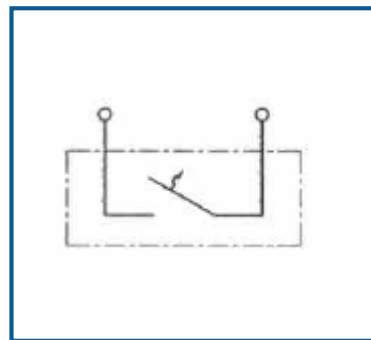
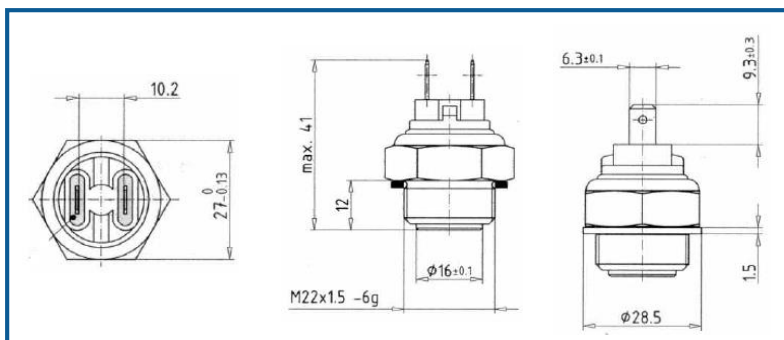


[Back to overview](#)

Temperature switch

0 986 347 002

Fastening	Temperature range	Connection	Voltage	Current
Screw in thread M22x1 5-6g	82°C...68°C	2 pole blade terminal 6,3 mm	24 V	15 A



[Back to overview](#)

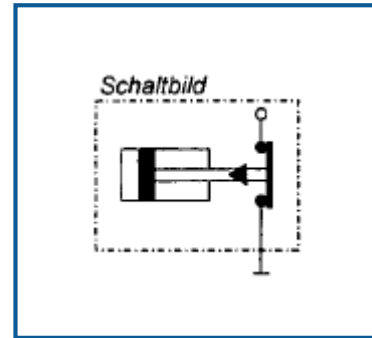
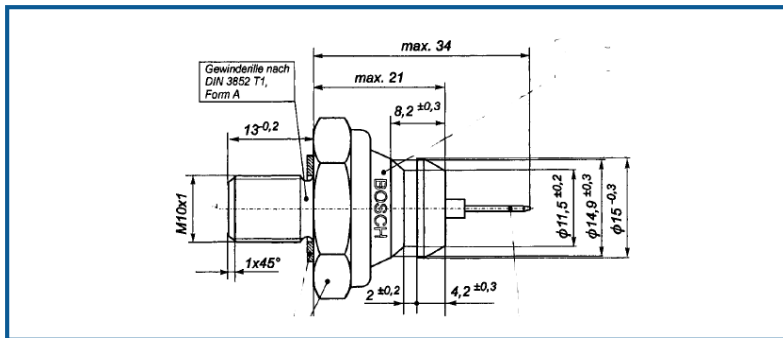
Oil-pressure warning switches

From page 164 to 200

Oil-pressure warning systems – European vehicles – Two chamber system

0 986 344 082

Fastening	Operating pressure range	Connection	Voltage	Current
Screw in thread M10x1	0,15 to 0,45 bar	1 pole blade terminal	Up to 24 V	5 W

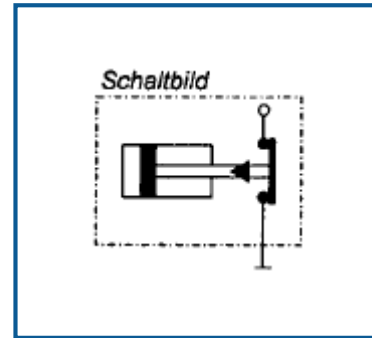
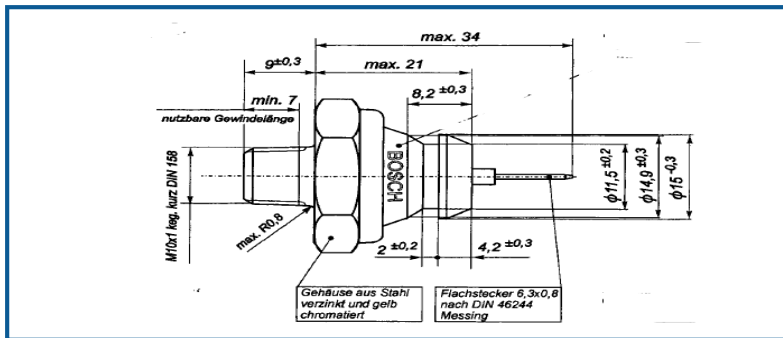


[Back to overview](#)

Oil-pressure warning systems – European vehicles – Two chamber system

0 986 344 085

Fastening	Operating pressure range	Connection	Voltage	Current
Screw in thread M10x1	0,3 to 0,5 bar	1 pole blade terminal	Up to 24 V	5 W

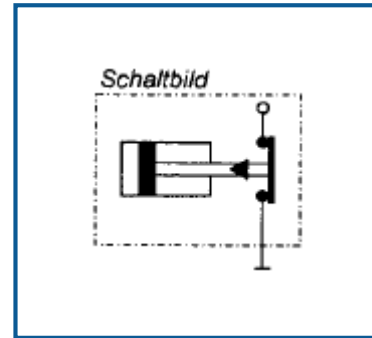
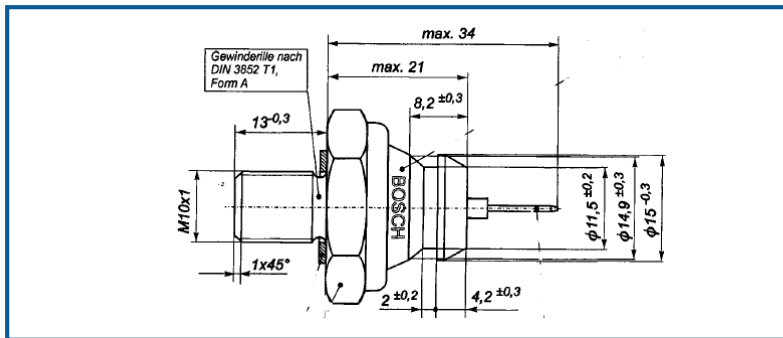


[Back to overview](#)

Oil-pressure warning systems – European vehicles – Two chamber system

0 986 344 090

Fastening	Operating pressure range	Connection	Voltage	Current
Screw in terminal M10x1	0,5 to 0,8 bar	1 pole blade terminal	Up to 24 V	5 W

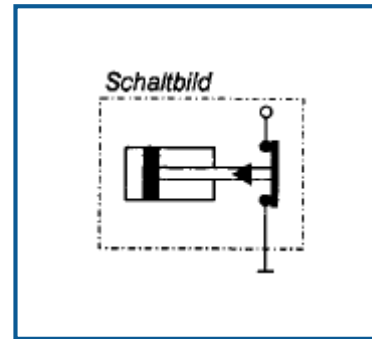
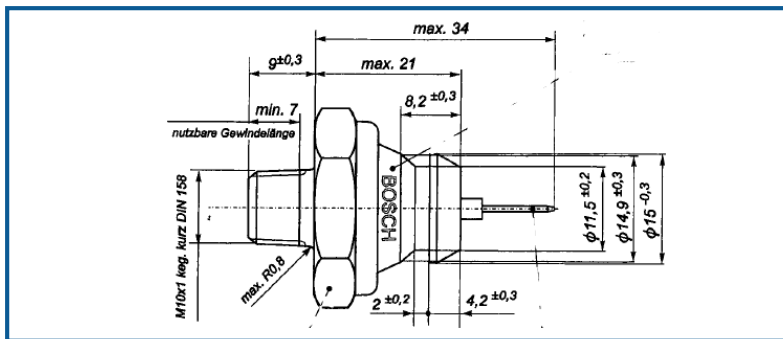


[Back to overview](#)

Oil-pressure warning systems – European vehicles – Two chamber system

0 986 344 055

Fastening	Operating pressure range	Connection	Voltage	Current
Screw in terminal M10x1 (tapered short)	0,5 to 0,15 bar	1 pole blade terminal	Up to 24 V	5 W

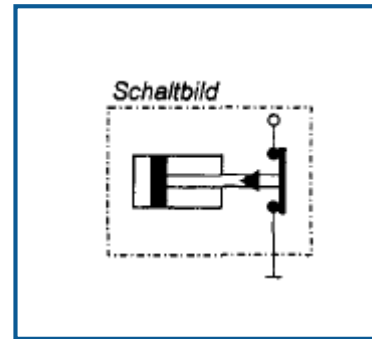
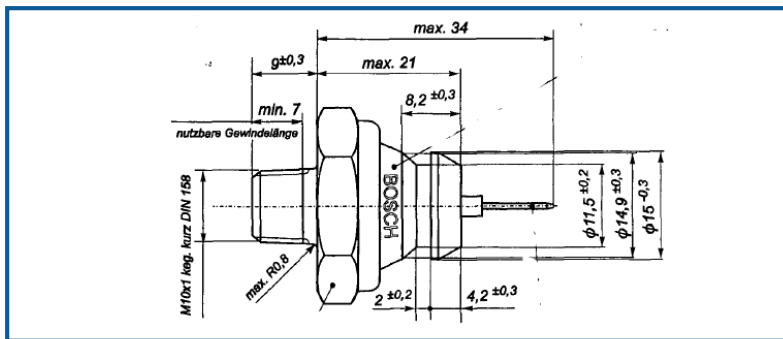


[Back to overview](#)

Oil-pressure warning systems – European vehicles – Two chamber system

0 986 344 044

Fastening	Operating pressure range	Connection	Voltage	Current
Screw in terminal M10x1 (tapered short)	0,15 to 0,45 bar	1 pole blade terminal	Up to 24 V	5 W

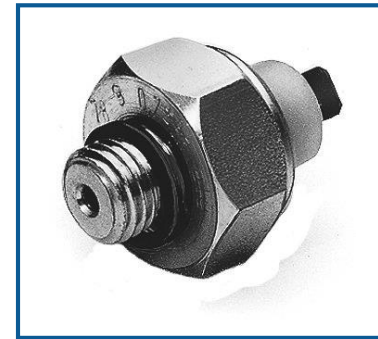
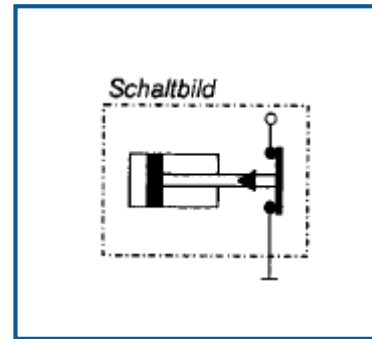
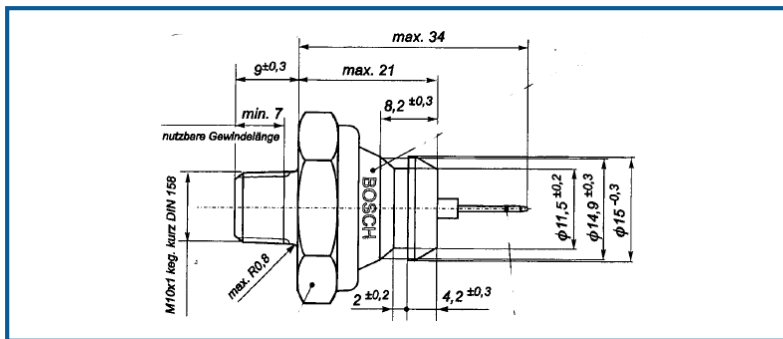


[Back to overview](#)

Oil-pressure warning systems – European vehicles – Two chamber system

0 986 344 032

Fastening	Operating pressure range	Connection	Voltage	Current
Screw in terminal M10x1 (tapered short)	0,2 to 0,49 bar	1 pole blade terminal	Up to 24 V	5 W

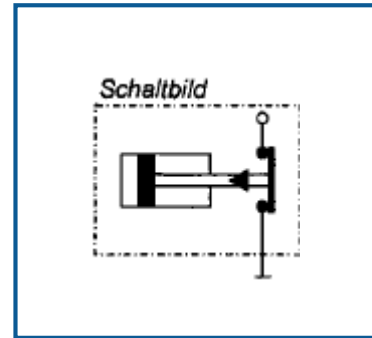
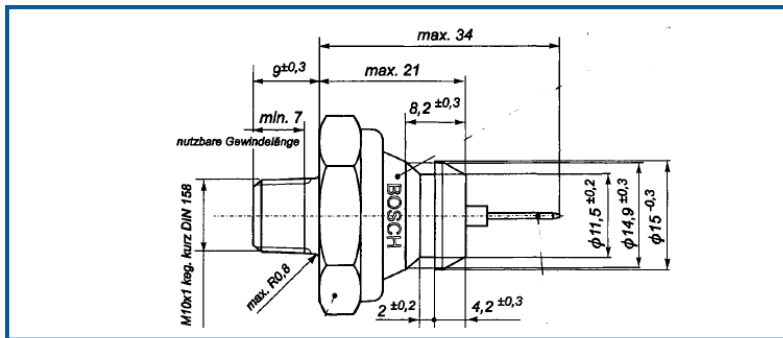


[Back to overview](#)

Oil-pressure warning systems – European vehicles – Two chamber system

0 986 344 058

Fastening	Operating pressure range	Connection	Voltage	Current
Screw in thread M10x1 (tapered short)	0,2 to 0,5 bar	1 pole blade terminal	Up to 24 V	5 W

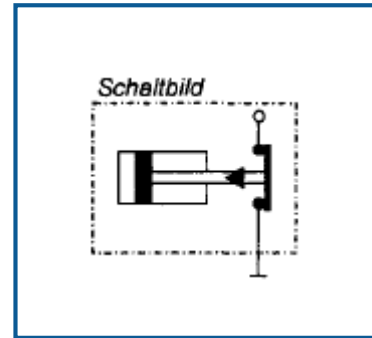
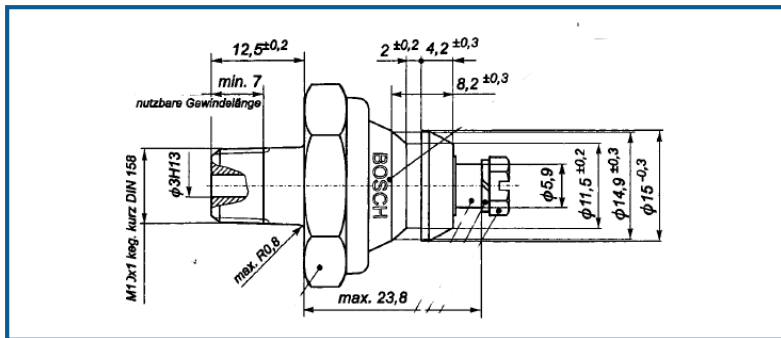


[Back to overview](#)

Oil-pressure warning systems – European vehicles – Two chamber system

0 986 344 084

Fastening	Operating pressure range	Connection	Voltage	Current
Screw in thread M10x1 (tapered short)	0,5 to 0,8 bar	1 pole screw terminal M 4	Up to 24 V	5 W

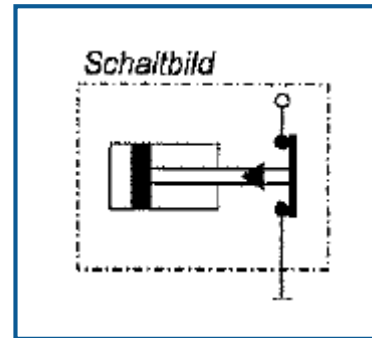
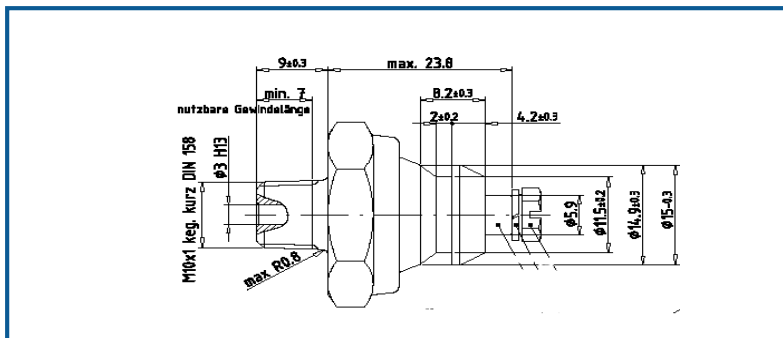


[Back to overview](#)

Oil-pressure warning systems – European vehicles – Two chamber system

0 986 344 051

Fastening	Operating pressure range	Connection	Voltage	Current
Screw terminal M10x1 (tapered short)	0,3 to 0,6 bar	1 pole screw terminal M 4	Up to 24 V	5 W

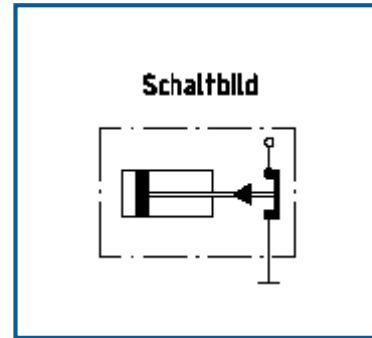
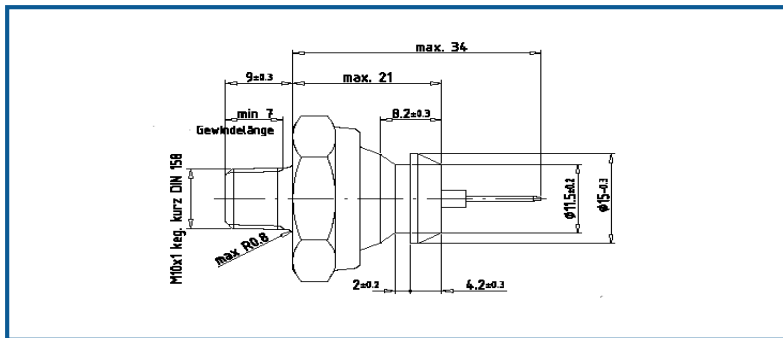


[Back to overview](#)

Oil-pressure warning systems – European vehicles – Two chamber system

0 986 344 056

Fastening	Operating pressure range	Connection	Voltage	Current
Screw in thread M10x1 (tapered short)	0,3 to 0,6 bar	1 pole blade terminal	Up to 24 V	5 W

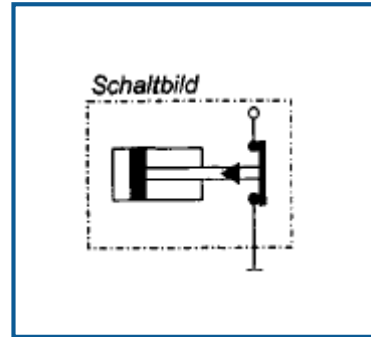
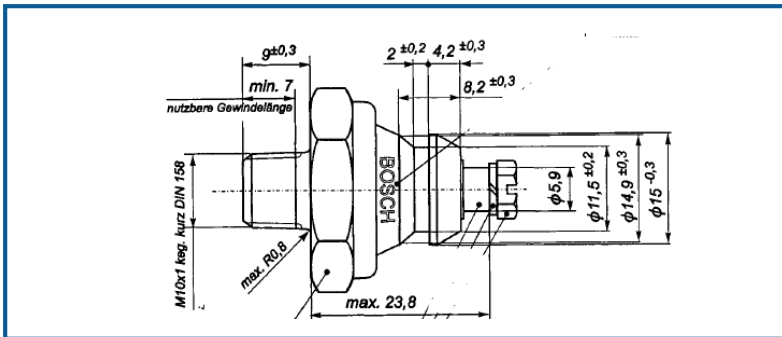


[Back to overview](#)

Oil-pressure warning systems – European vehicles – Two chamber system

0 986 344 052

Fastening	Operating pressure range	Connection	Voltage	Current
Screw in thread M10x1 (tapered short)	0,5 to 0,8 bar	1 pole screw terminal M 4	Up to 24 V	5 W

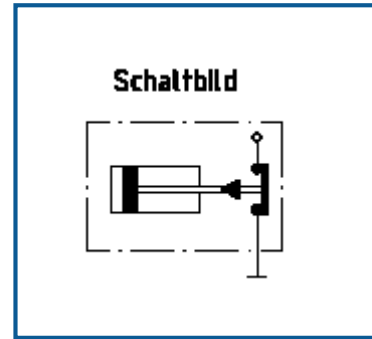
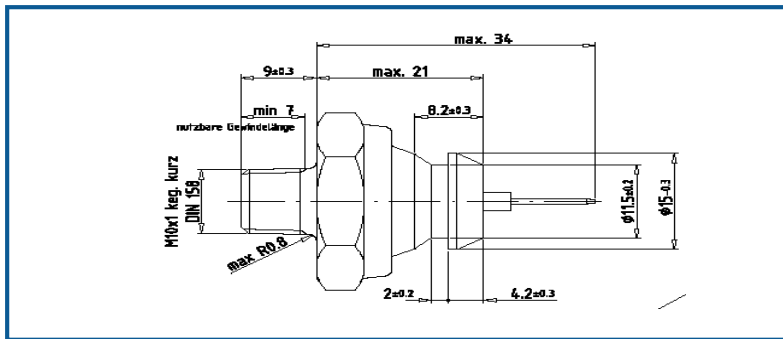


[Back to overview](#)

Oil-pressure warning systems – European vehicles – Two chamber system

0 986 344 033

Fastening	Operating pressure range	Connection	Voltage	Current
Screw in thread M10x1 (tapered short)	0,5 to 0,8 bar	1 pole blade terminal	Up to 24 V	5 W

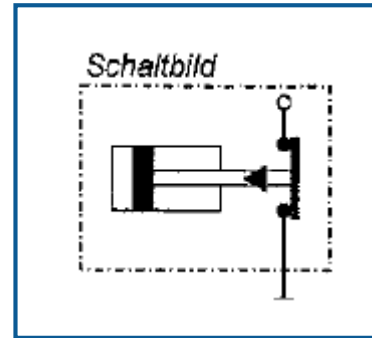
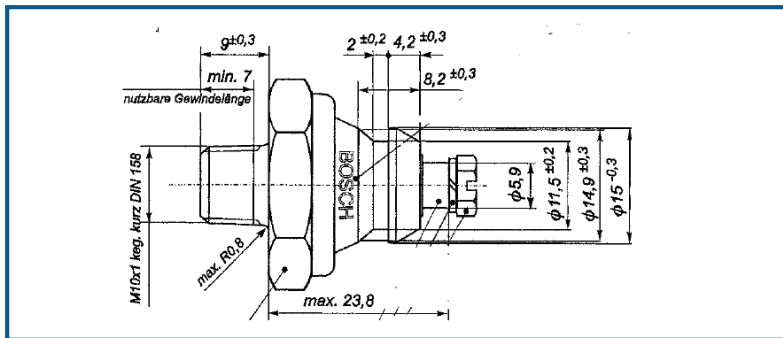


[Back to overview](#)

Oil-pressure warning systems – European vehicles – Two chamber system

0 986 344 053

Fastening	Operating pressure range	Connection	Voltage	Current
Screw in thread M10x1 (tapered short)	0,8 to 1,2 bar	1 pole screw terminal M 4	Up to 24 V	5 W

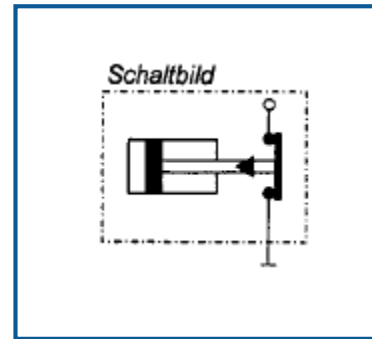
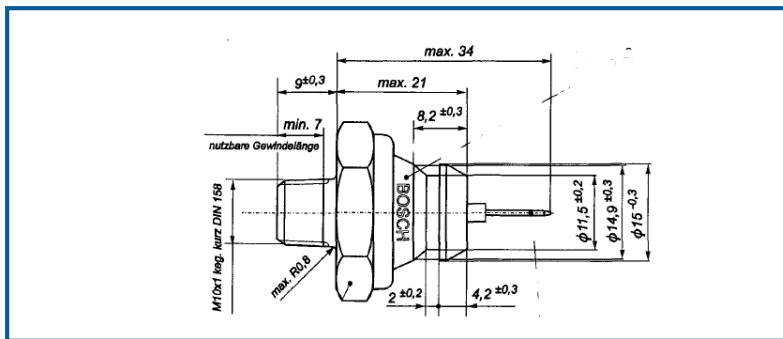


[Back to overview](#)

Oil-pressure warning systems – European vehicles – Two chamber system

0 986 344 041

Fastening	Operating pressure range	Connection	Voltage	Current
Screw in thread M10x1 (tapered short)	0,8 to 1,2 bar	1 pole blade terminal	Up to 24 V	5 W

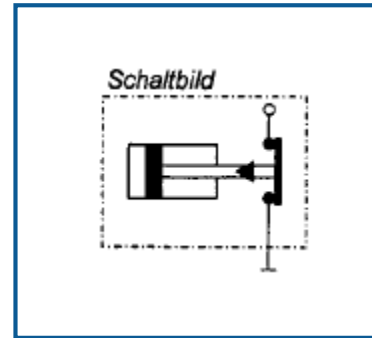
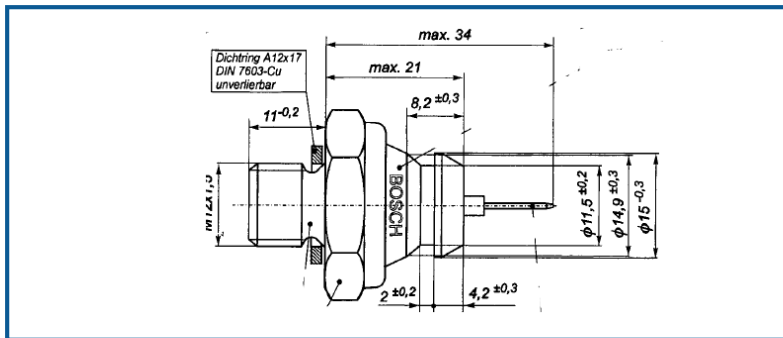


[Back to overview](#)

Oil-pressure warning systems – European vehicles – Two chamber system

0 986 344 040

Fastening	Operating pressure range	Connection	Voltage	Current
Screw in thread M12x1,5	0,2 to 0,5 bar	1 pole blade terminal	Up to 24 V	5 W

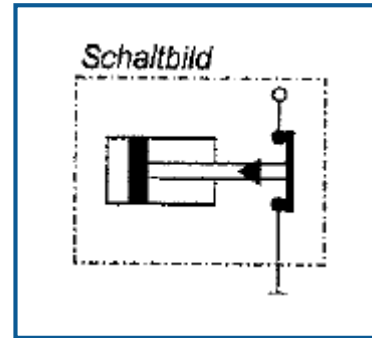
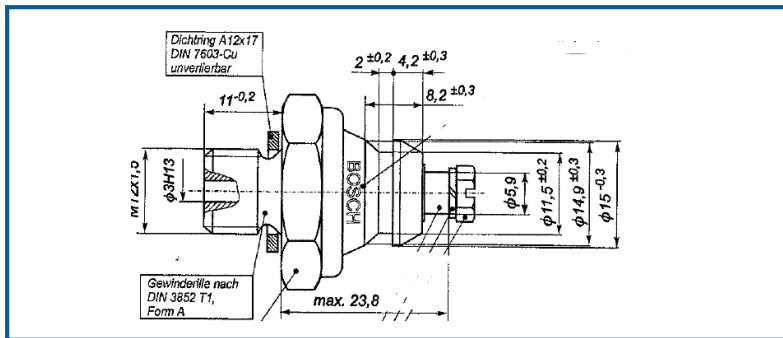


[Back to overview](#)

Oil-pressure warning systems – European vehicles – Two chamber system

0 986 344 089

Fastening	Operating pressure range	Connection	Voltage	Current
Screw in terminal M12x1,5	0,3 to 0,55 bar	1 pole screw terminal	Up to 24 V	5 W

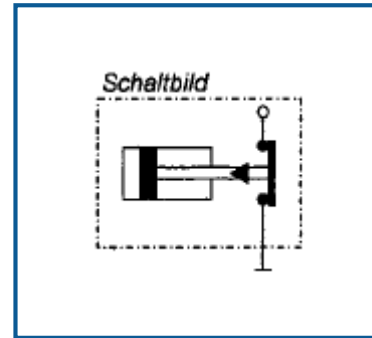
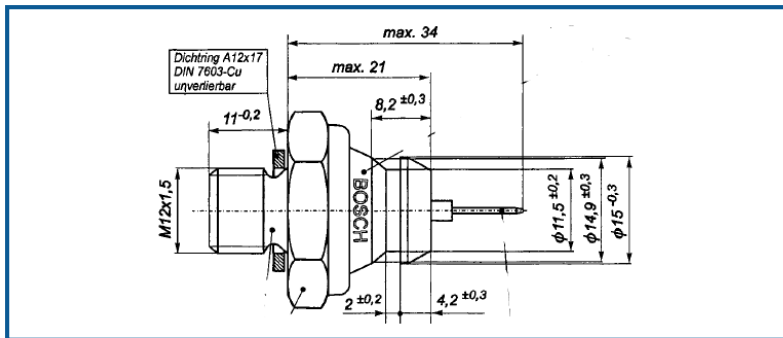


[Back to overview](#)

Oil-pressure warning systems – European vehicles – Two chamber system

0 986 344 035

Fastening	Operating pressure range	Connection	Voltage	Current
Screw in terminal M12x1,5	0,5 to 0,15 bar	1 pole blade terminal	Up to 24 V	5 W

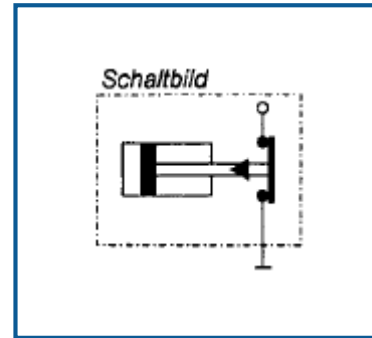
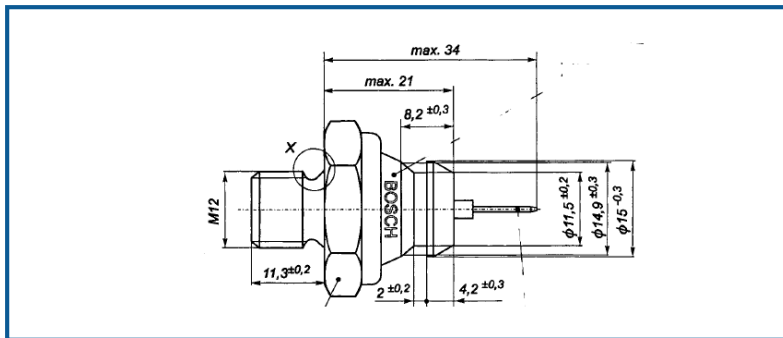


[Back to overview](#)

Oil-pressure warning systems – European vehicles – Two chamber system

0 986 344 077

Fastening	Operating pressure range	Connection	Voltage	Current
Screw in thread M12x1,75	1,2 to 1,7 bar	1 pole blade terminal	Up to 24 V	5 W

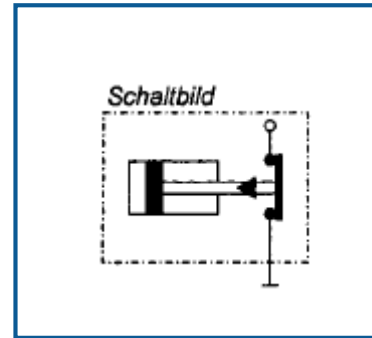
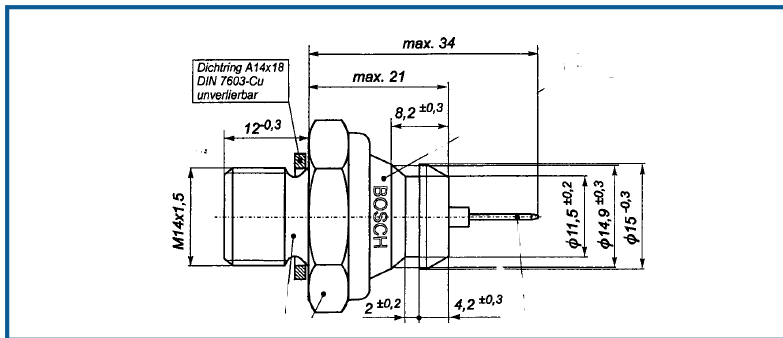


[Back to overview](#)

Oil-pressure warning systems – European vehicles – Two chamber system

0 986 344 046

Fastening	Operating pressure range	Connection	Voltage	Current
Screw in thread M14x1,5	0,15 to 0,45 bar	1 pole blade terminal	Up to 24 V	5 W

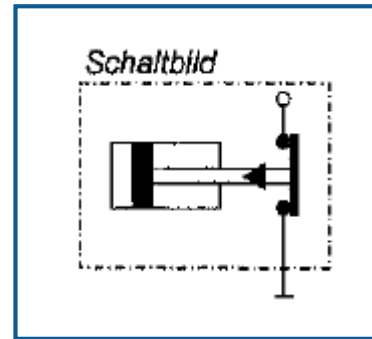
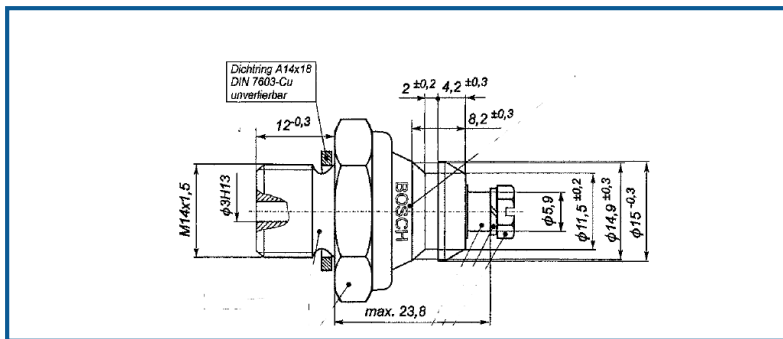


[Back to overview](#)

Oil-pressure warning systems – European vehicles – Two chamber system

0 986 344 080

Fastening	Operating pressure range	Connection	Voltage	Current
Screw in thread M14x1,5	0,3 to 0,55 bar	1 pole screw terminal M 4	Up to 24 V	5 W

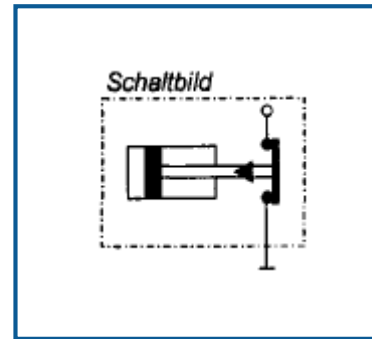
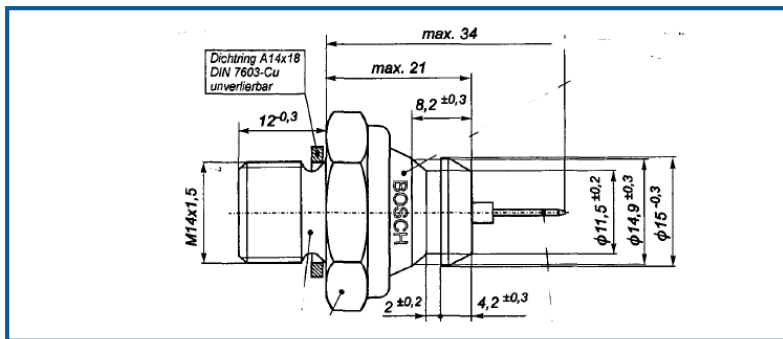


[Back to overview](#)

Oil-pressure warning systems – European vehicles – Two chamber system

0 986 344 036

Fastening	Operating pressure range	Connection	Voltage	Current
Screw in terminal M14x1,5	0,3 to 0,55 bar	1 pole blade terminal	Up to 24 V	5 W

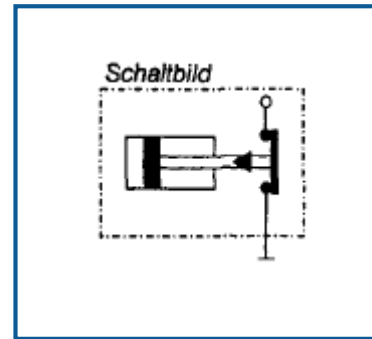
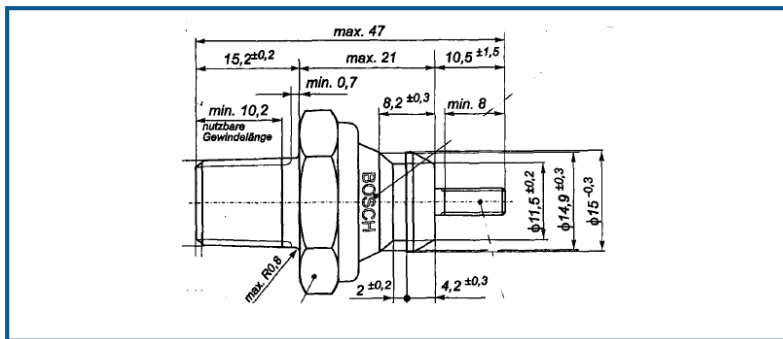


[Back to overview](#)

Oil-pressure warning systems – European vehicles – Two chamber system

0 986 344 086

Fastening	Operating pressure range	Connection	Voltage	Current
Screw in thread 1/4"-18 NPTF	0,2 to 0,6 bar	1 pole threaded pins	Up to 24 V	5 W

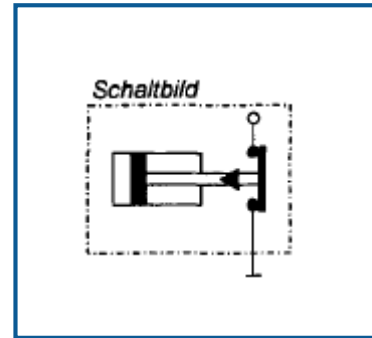
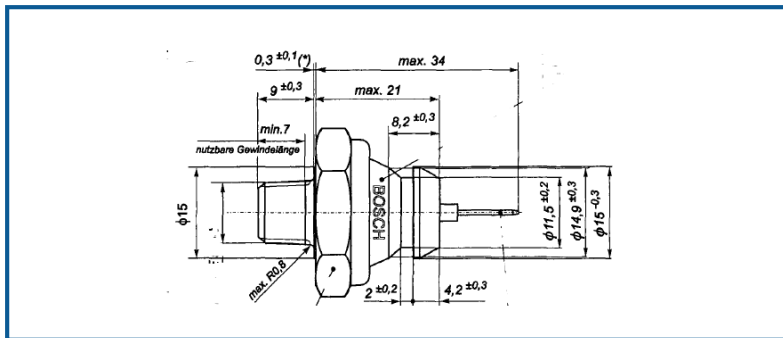


[Back to overview](#)

Oil-pressure warning systems – European vehicles – Two chamber system

0 986 344 076

Fastening	Operating pressure range	Connection	Voltage	Current
Screw in thread 1/8"-27 PTF	0,3 to 0,6 bar	1 pole blade terminal	Up to 24 V	5 W

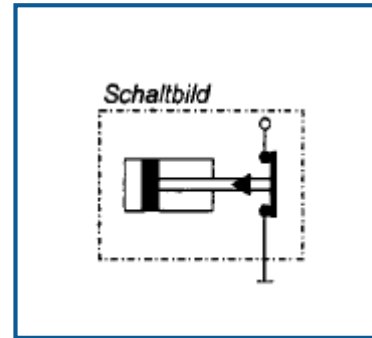
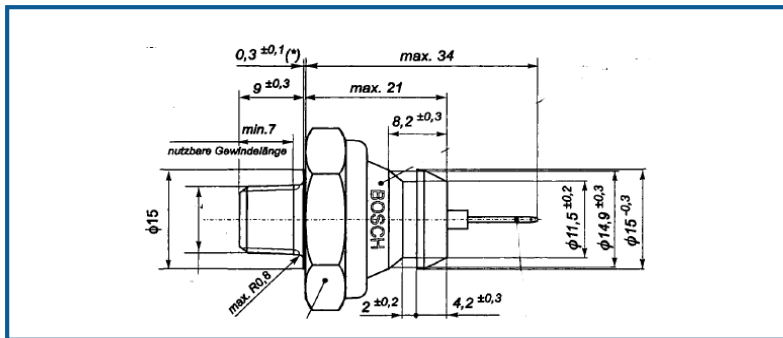


[Back to overview](#)

Oil-pressure warning systems – European vehicles – Two chamber system

0 986 344 087

Fastening	Operating pressure range	Connection	Voltage	Current
Screw in thread 1/8"-27 PTF	0,15 to 0,45 bar	1 pole blade terminal	Up to 24 V	5 W

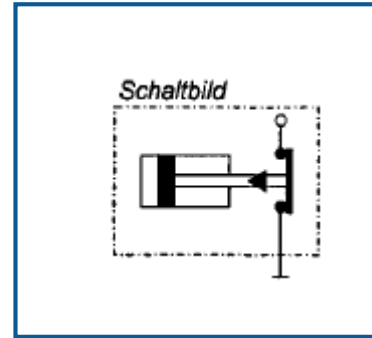
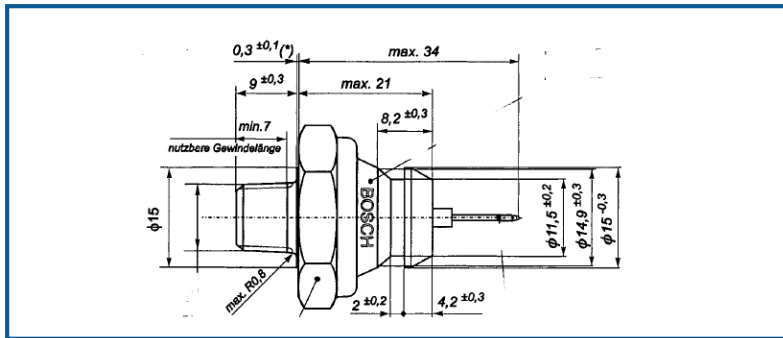


[Back to overview](#)

Oil-pressure warning systems – European vehicles – Two chamber system

0 986 344 054

Fastening	Operating pressure range	Connection	Voltage	Current
Screw in thread SAE short	0,5 to 0,8 bar	1 pole blade terminal	Up to 24 V	5 W

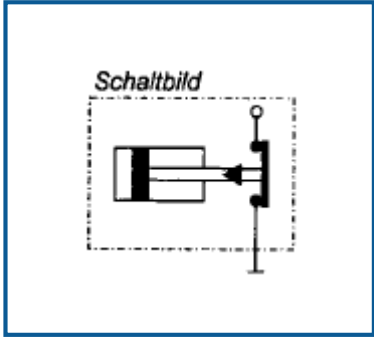
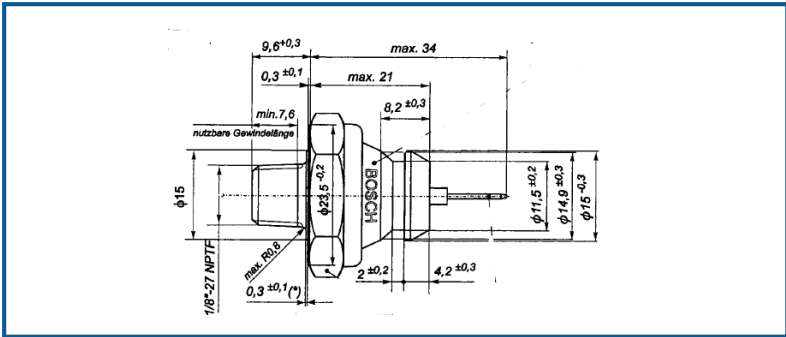


[Back to overview](#)

Oil-pressure warning systems – European vehicles – Two chamber system

0 986 344 074

Fastening	Operating pressure range	Connection	Voltage	Current
Screw in thread 1/8"-27 NPTF	0,4 to 0,7 bar	1 pole blade terminal	Up to 24 V	5 W

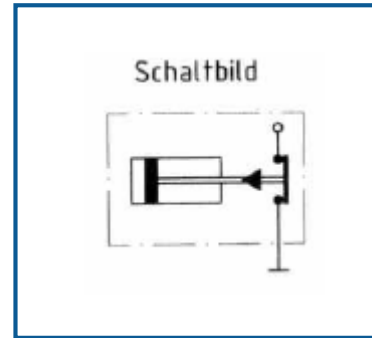
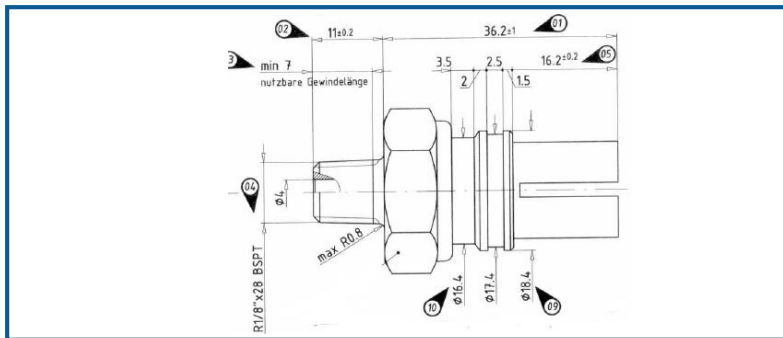


[Back to overview](#)

Oil pressure warning switches – Japanese vehicles Single-chamber system

0 986 345 007

Fastening	Operating pressure range	Connection	Voltage	Current
Screw in thread R 1/8"-28 BSP (tapered)	0,16 to 0,18 bar	1 pole blade terminal	Up to 24 V	5 W

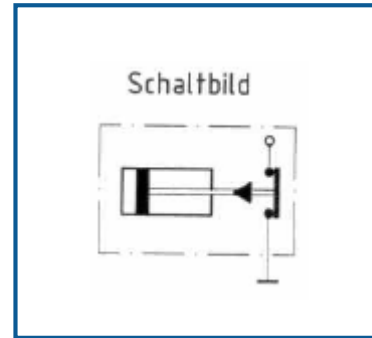
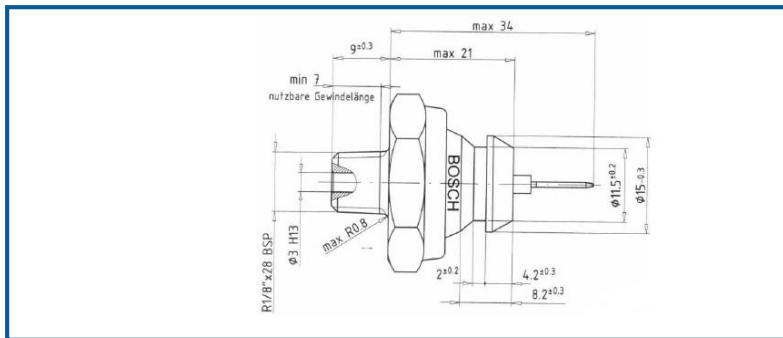


[Back to overview](#)

Oil pressure warning switches – Japanese vehicles Single-chamber system

0 986 345 001

Fastening	Operating pressure range	Connection	Voltage	Current
Screw in thread R 1/8"-28 BSP (tapered)	0,25 to 0,35 bar	1 pole blade terminal	Up to 24 V	5 W

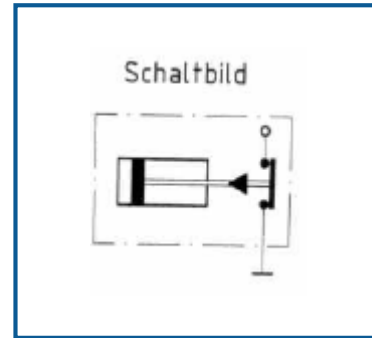
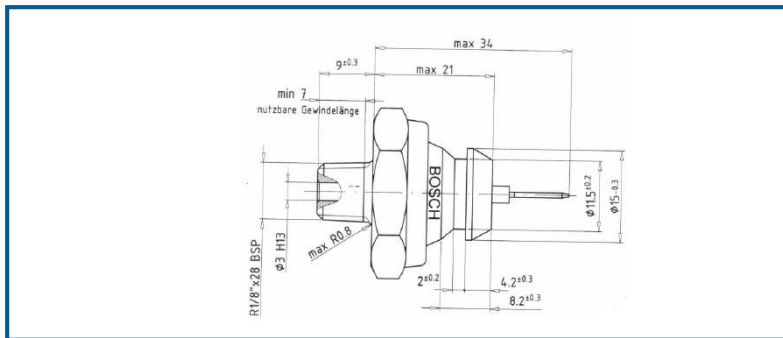


[Back to overview](#)

Oil pressure warning switches – Japanese vehicles Single-chamber system

0 986 345 017

Fastening	Operating pressure range	Connection	Voltage	Current
Screw in thread R 1/8"-28 BSP (tapered)	0,25 to 0,35 bar	1 pole blade terminal	Up to 24 V	5 W

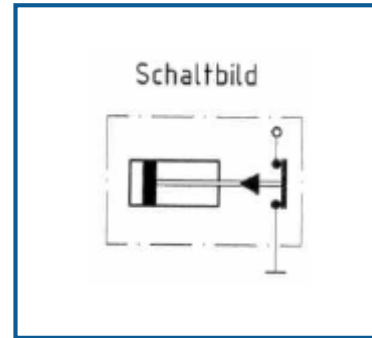
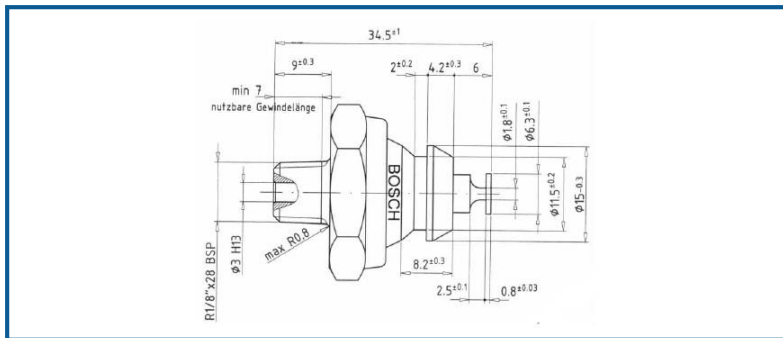


[Back to overview](#)

Oil pressure warning switches – Japanese vehicles Single-chamber system

0 986 345 000

Fastening	Operating pressure range	Connection	Voltage	Current
Screw in thread R 1/8"-28 BSP (tapered)	0,25 to 0,35 bar	1 pole plate terminal	Up to 24 V	5 W

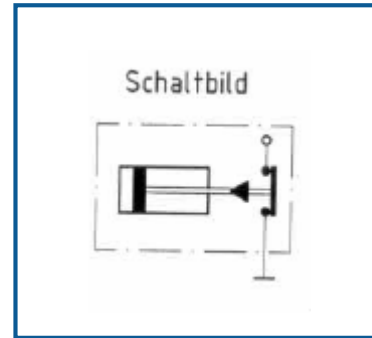
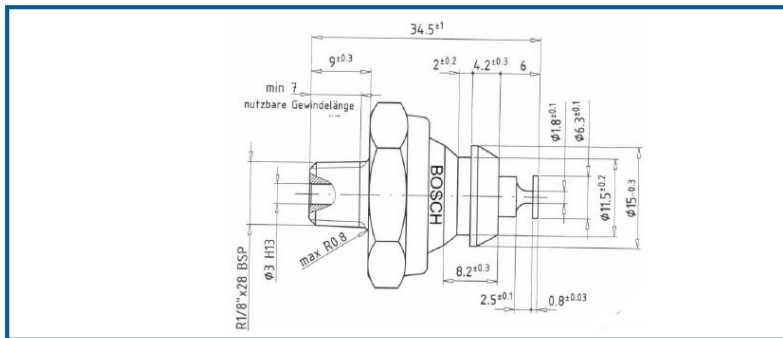


[Back to overview](#)

Oil pressure warning switches – Japanese vehicles Single-chamber system

0 986 345 012

Fastening	Operating pressure range	Connection	Voltage	Current
Screw in thread R 1/8"-28 BSP (tapered)	0,25 to 0,35 bar	1 pole plate terminal	Up to 24 V	5 W

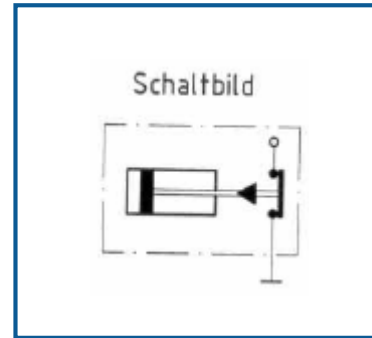
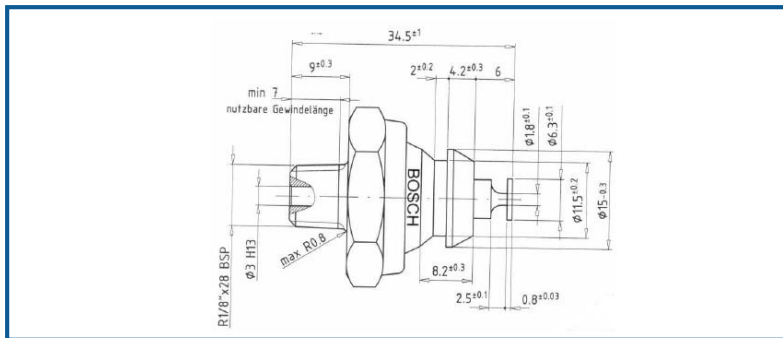


[Back to overview](#)

Oil pressure warning switches – Japanese vehicles Single-chamber system

0 986 345 005

Fastening	Operating pressure range	Connection	Voltage	Current
Screw in thread R 1/8"-28 BSP (tapered)	0,28 to 0,38 bar	1 pole plate terminal	Up to 24 V	5 W

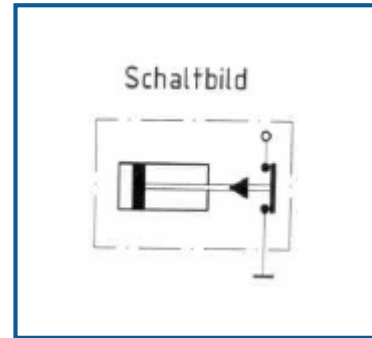
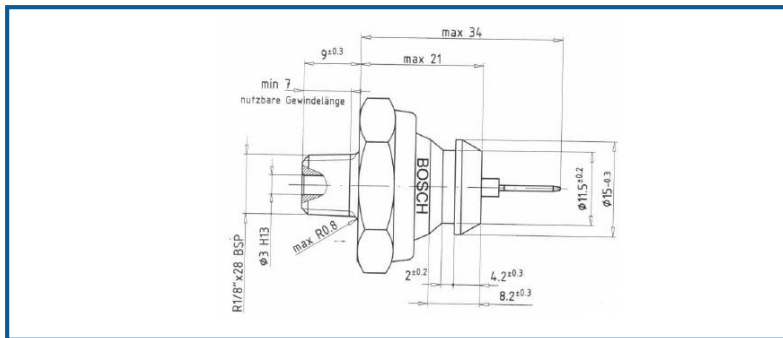


[Back to overview](#)

Oil pressure warning switches – Japanese vehicles Single-chamber system

0 986 345 008

Fastening	Operating pressure range	Connection	Voltage	Current
Screw in thread R 1/8"-28 BSP (tapered)	0,28 to 0,34 bar	1 pole blade terminal	Up to 24 V	5 W

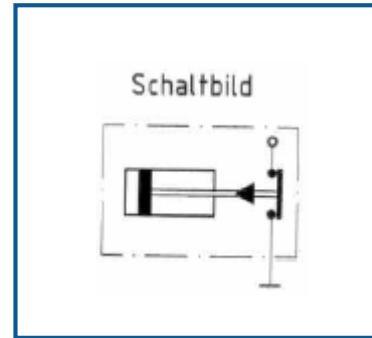
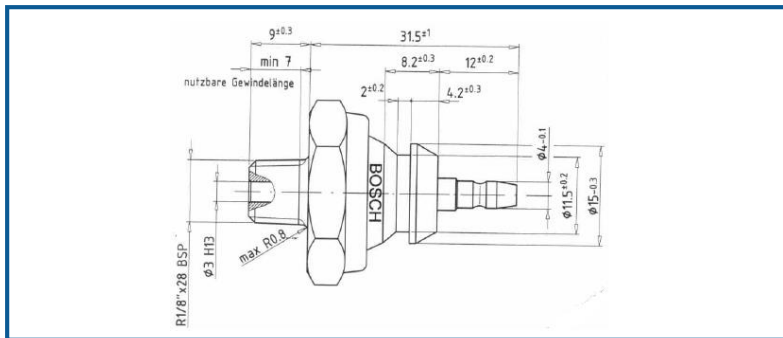


[Back to overview](#)

Oil pressure warning switches – Japanese vehicles Single-chamber system

0 986 345 009

Fastening	Operating pressure range	Connection	Voltage	Current
Screw in thread R 1/8"-28 BSP (tapered)	0,30 to 0,32 bar	1 pole pin terminal	Up to 24 V	5 W

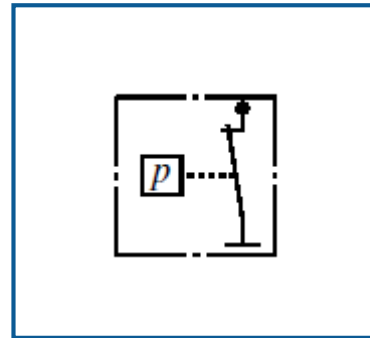
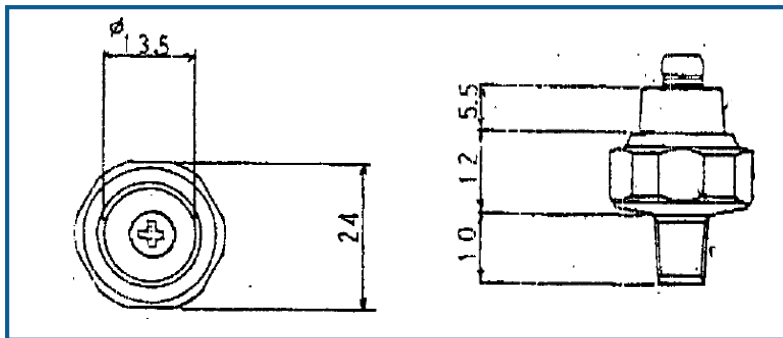


[Back to overview](#)

Oil pressure warning switches – Japanese vehicles Single-chamber system

0 986 345 006

Fastening	Operating pressure range	Connection	Voltage	Current
Screw in thread R 1/8"-28 BSP (tapered)	0,30 to 0,38 bar	1 pole screw	Up to 24 V	5 W

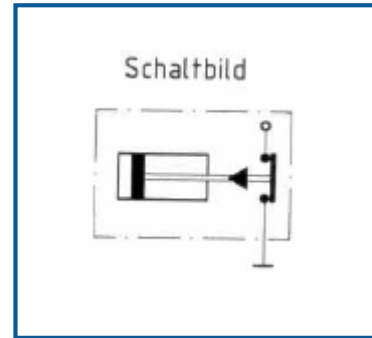
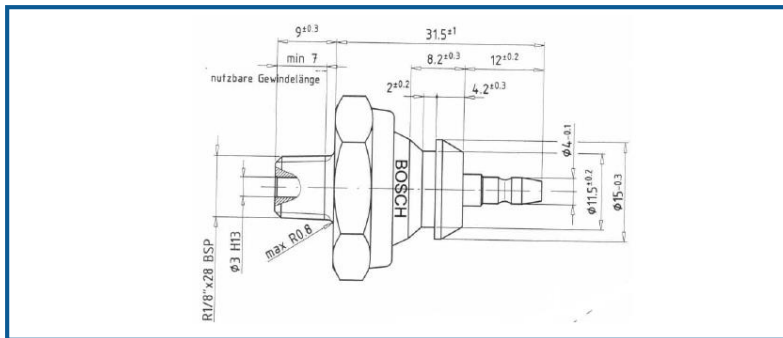


[Back to overview](#)

Oil pressure warning switches – Japanese vehicles Single-chamber system

0 986 345 003

Fastening	Operating pressure range	Connection	Voltage	Current
Screw in thread R 1/8"-28 BSP (tapered)	0,30 to 0,40 bar	1 pole pin terminal	Up to 24 V	5 W

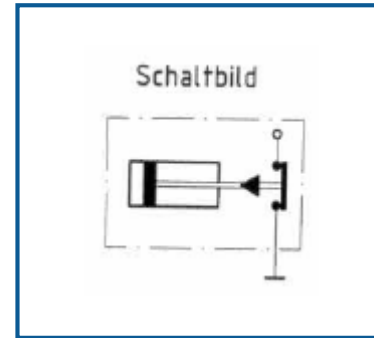
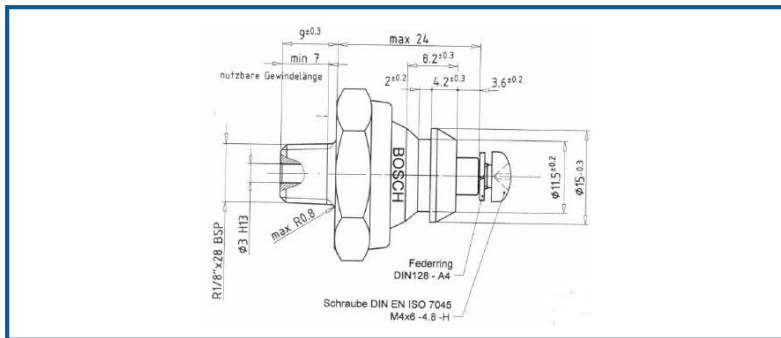


[Back to overview](#)

Oil pressure warning switches – Japanese vehicles Single-chamber system

0 986 345 004

Fastening	Operating pressure range	Connection	Voltage	Current
Screw in thread R 1/8"-28 BSP (tapered)	0,30 to 0,45 bar	1 pole screw terminal	Up to 24 V	5 W



[Back to overview](#)

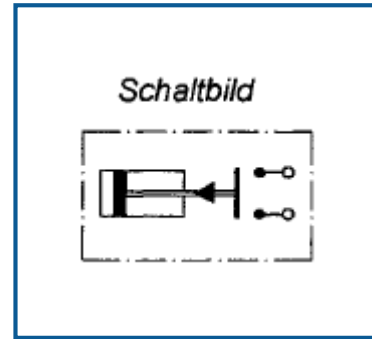
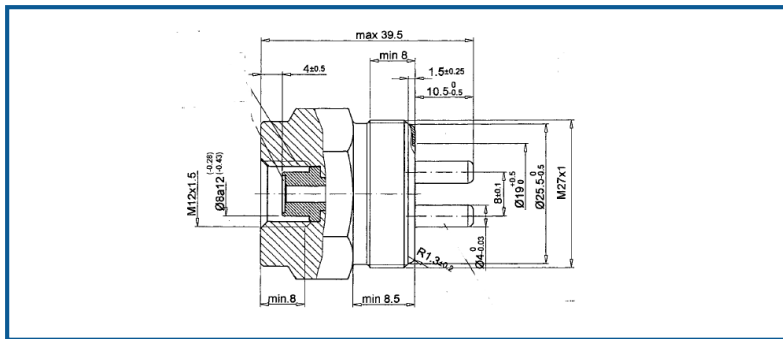
Stop lamp switches

From page 202 to 232

Stop lamp switches

0 986 345 413

Type of actuation	Fastening	Operating pressure range	Connection	Voltage	Capacity
pneumatic	Screw in thread M12x1,5	0,1 to 0,3 bar	2 pole pin terminal	12/ 24 V	100/ 150 W

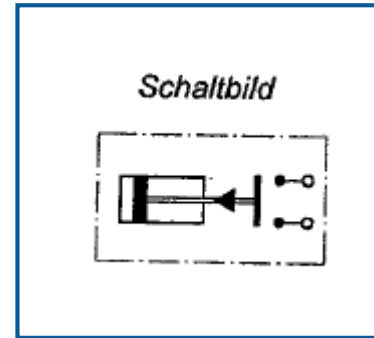
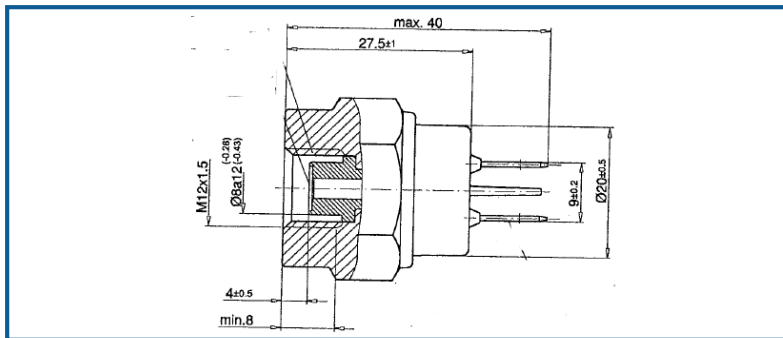


[Back to overview](#)

Stop lamp switches

0 986 345 408

Type of actuation	Fastening	Operating pressure range	Connection	Voltage	Capacity
pneumatic	Screw in thread M12x1,5	0,1 to 0,5 bar	2 pole blade terminal	12/ 24 V	100/ 150 W

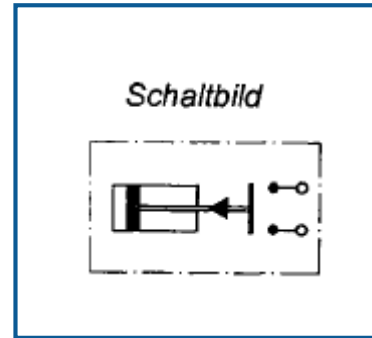
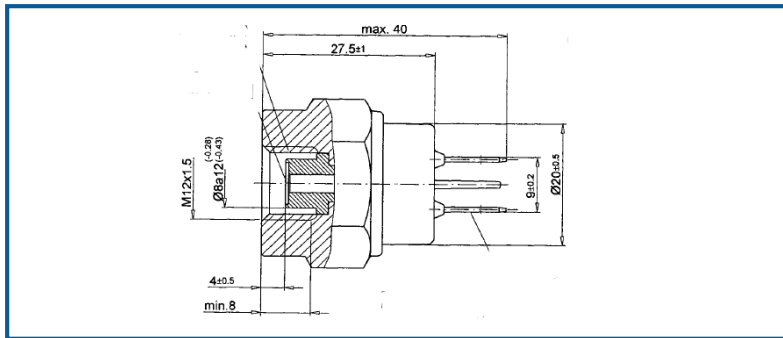


[Back to overview](#)

Stop lamp switches

0 986 345 409

Type of actuation	Fastening	Operating pressure range	Connection	Voltage	Capacity
pneumatic	Screw in thread M12x1,5	0,1 to 0,5 bar	2 pole blade terminal 6,3 mm	12/ 24 V	100/ 150 W

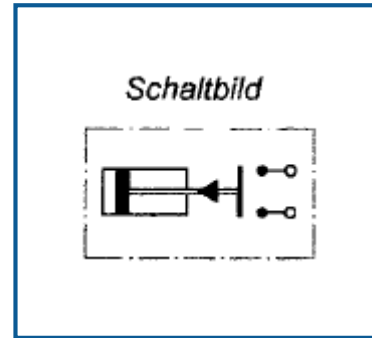
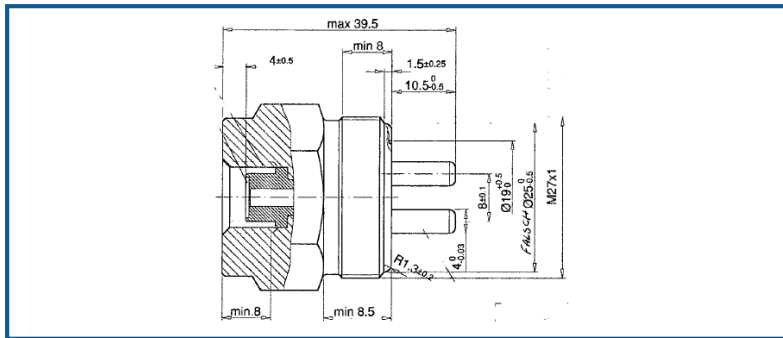


[Back to overview](#)

Stop lamp switches

0 986 345 410

Type of actuation	Fastening	Operating pressure range	Connection	Voltage	Capacity
pneumatic	Screw in thread M12x1,5	0,1 to 0,5 bar	2 pole pin terminal	12/ 24 V	100/ 150 W

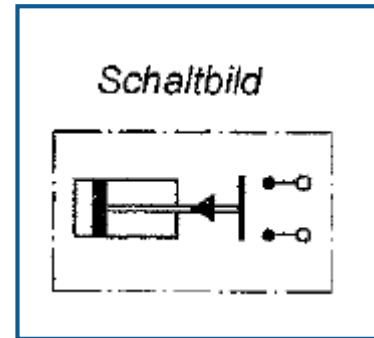
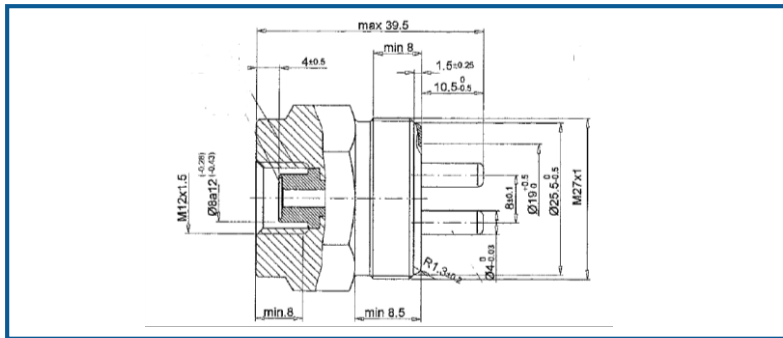


[Back to overview](#)

Stop lamp switches

0 986 345 414

Type of actuation	Fastening	Operating pressure range	Connection	Voltage	Capacity
pneumatic	Screw in thread M12x1,5	0,75 to 1,0 bar	2 pole pin terminal	12/ 24 V	100/ 150 W

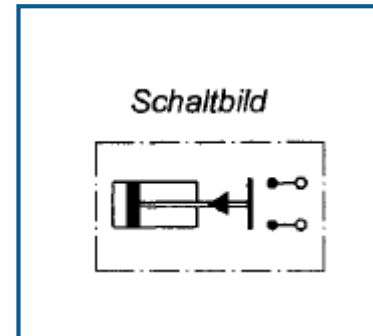
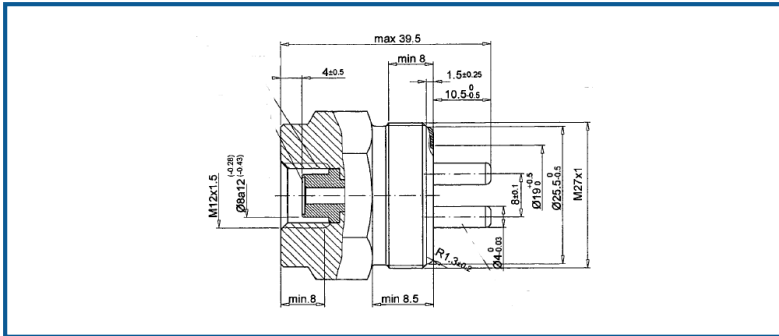


[Back to overview](#)

Stop lamp switches

0 986 345 411

Type of actuation	Fastening	Operating pressure range	Connection	Voltage	Capacity
pneumatic	Screw in thread M12x1,5	1,0 to 1,4 bar	2 pole pin terminal	12/ 24 V	100/ 150 W

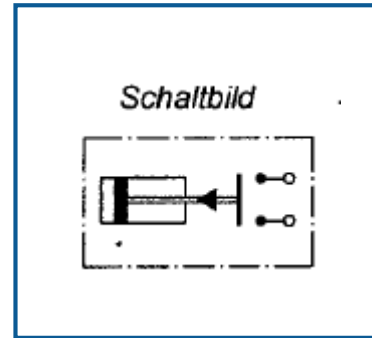
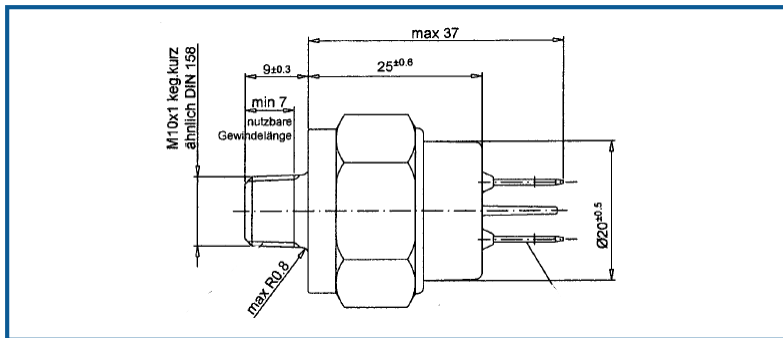


[Back to overview](#)

Stop lamp switches

0 986 345 112

Type of actuation	Fastening	Operating pressure range	Connection	Voltage	Capacity
hydraulic	Screw in thread M10x1 (tapered short)	2,0 to 4,0 bar	2 pole blade terminal	12/ 24 V	100/ 150 W

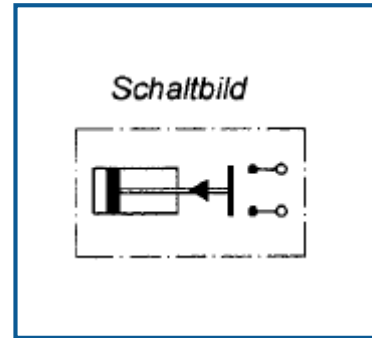
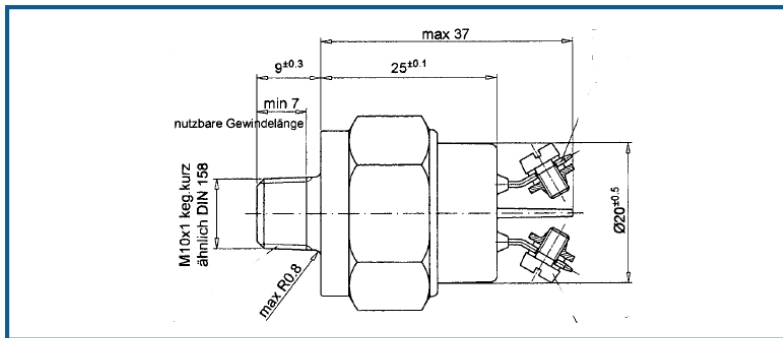


[Back to overview](#)

Stop lamp switches

0 986 345 114

Type of actuation	Fastening	Operating pressure range	Connection	Voltage	Capacity
hydraulic	Screw in thread M10x1 (tapered short)	2,0 to 4,0 bar	2 pole blade terminal	12/ 24 V	100/ 150 W

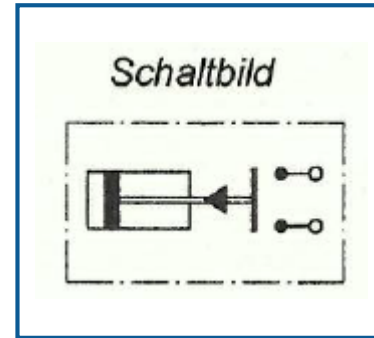
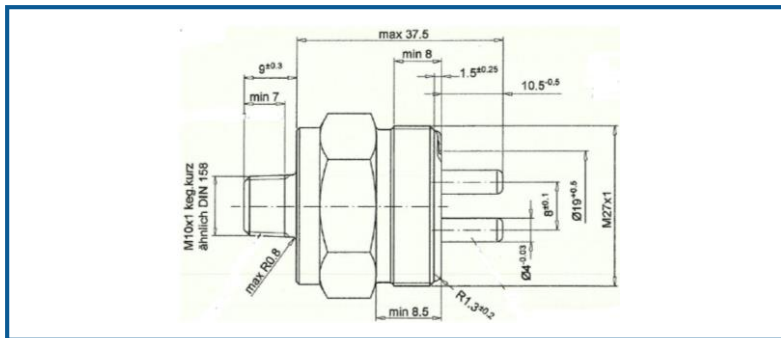


[Back to overview](#)

Stop lamp switches

0 986 345 115

Type of actuation	Fastening	Operating pressure range	Connection	Voltage	Capacity
hydraulic	Screw in thread M10x1 (tapered short)	2,0 to 5,0 bar	2 pole pin terminal	12/ 24 V	100/ 150 W

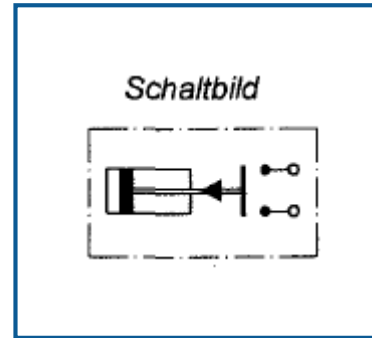
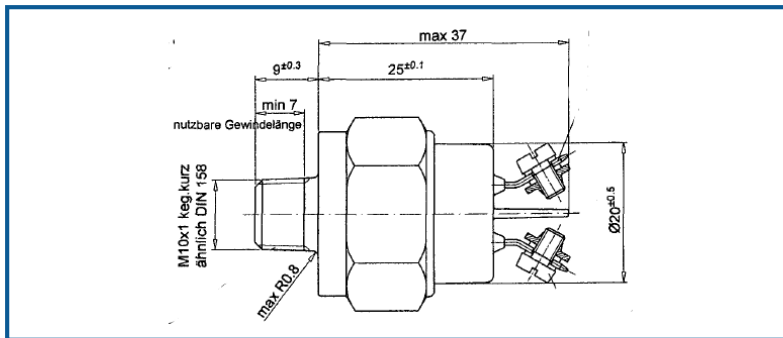


[Back to overview](#)

Stop lamp switches

0 986 345 116

Type of actuation	Fastening	Operating pressure range	Connection	Voltage	Capacity
hydraulic	Screw in thread M10x1 (tapered short)	2,0 to 5,0 bar	2 pole blade terminal	12/ 24 V	100/ 150 W

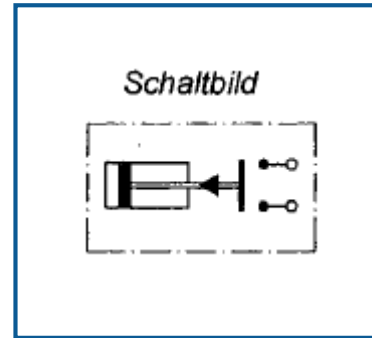
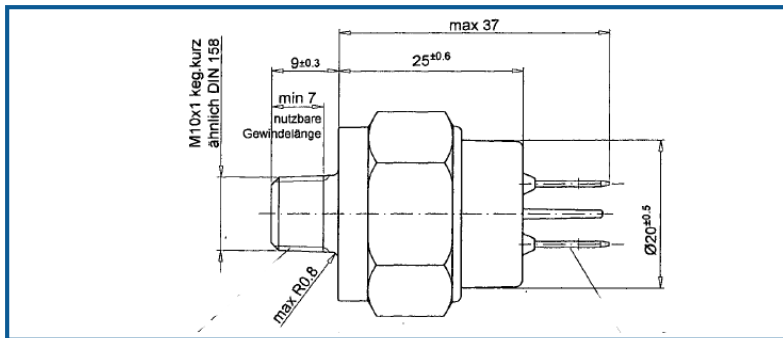


[Back to overview](#)

Stop lamp switches

0 986 345 110

Type of actuation	Fastening	Operating pressure range	Connection	Voltage	Capacity
hydraulic	Screw in thread M10x1 (tapered short)	3,0 to 6,0 bar	2 pole blade terminal	12/ 24 V	100/ 150 W

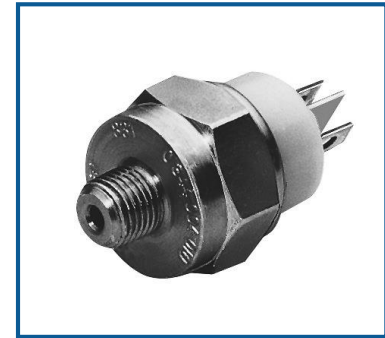
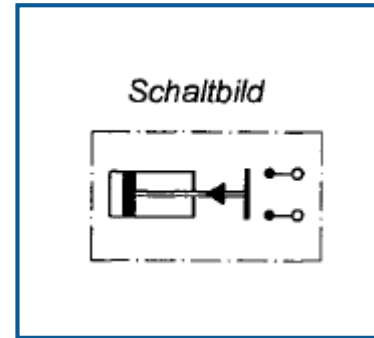
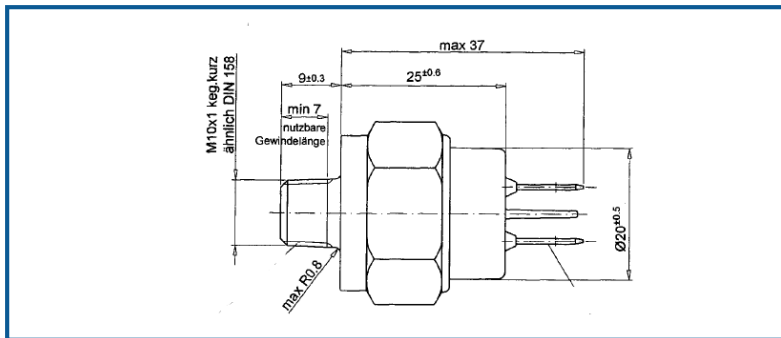


[Back to overview](#)

Stop lamp switches

0 986 345 113

Type of actuation	Fastening	Operating pressure range	Connection	Voltage	Capacity
hydraulic	Screw in thread M10x1 (tapered short)	3,0 to 6,0 bar	2 pole blade terminal	12/ 24 V	100/ 150 W

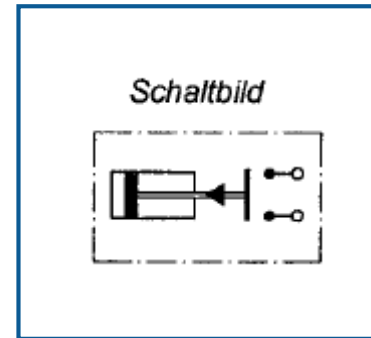
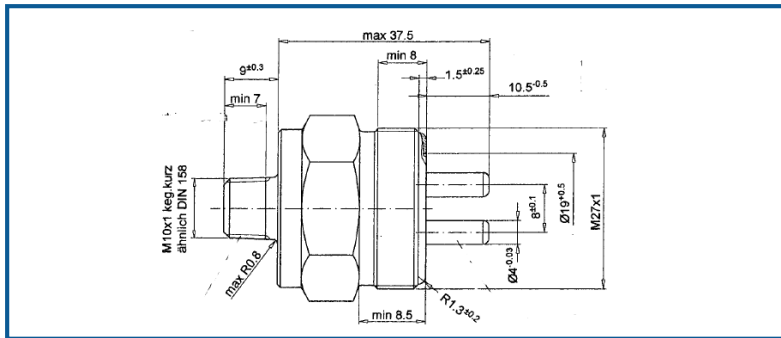


[Back to overview](#)

Stop lamp switches

0 986 345 117

Type of actuation	Fastening	Operating pressure range	Connection	Voltage	Capacity
hydraulic	Screw in thread M10x1 (tapered short)	3,0 to 6,0 bar	2 pole pin terminal	12/ 24 V	100/ 150 W

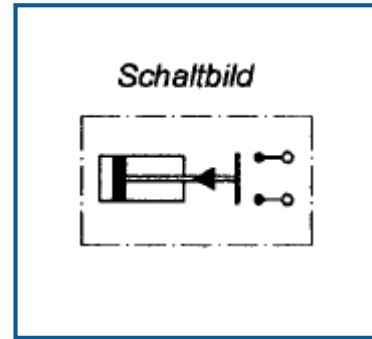
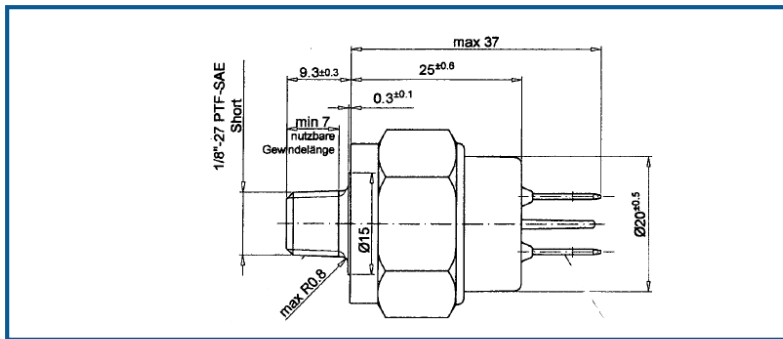


[Back to overview](#)

Stop lamp switches

0 986 345 119

Type of actuation	Fastening	Operating pressure range	Connection	Voltage	Capacity
hydraulic	Screw in thread 1/8" x 27 NPTF SAE-short	2,0 to 4,0 bar	2 pole blade terminal	12/ 24 V	100/ 150 W

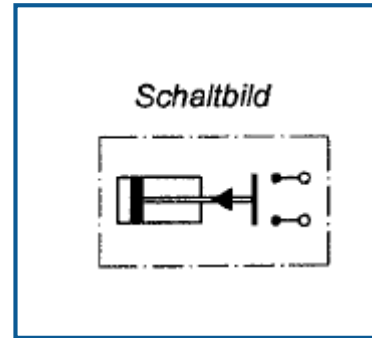
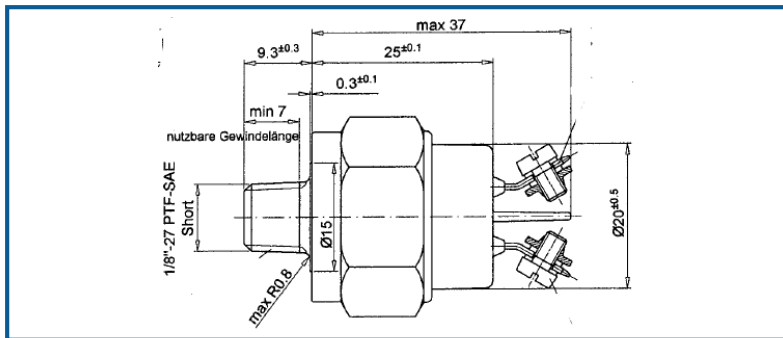


[Back to overview](#)

Stop lamp switches

0 986 345 120

Type of actuation	Fastening	Operating pressure range	Connection	Voltage	Capacity
hydraulic	Screw in thread 1/8" x 27 NPTF SAE-short	2,0 to 5,0 bar	2 pole blade terminal	12/ 24 V	100/ 150 W

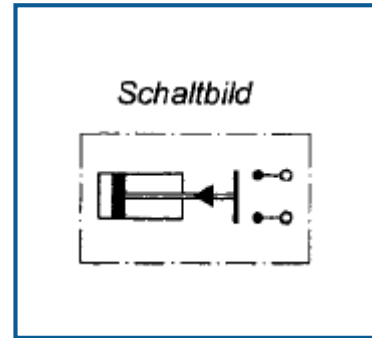
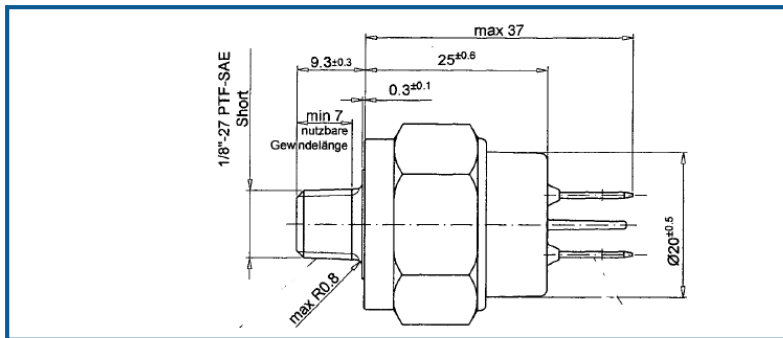


[Back to overview](#)

Stop lamp switches

0 986 345 111

Type of actuation	Fastening	Operating pressure range	Connection	Voltage	Capacity
hydraulic	Screw in thread 1/8" x 27 NPTF SAE-short	3,0 to 6,0 bar	2 pole blade terminal	12/ 24 V	100/ 150 W

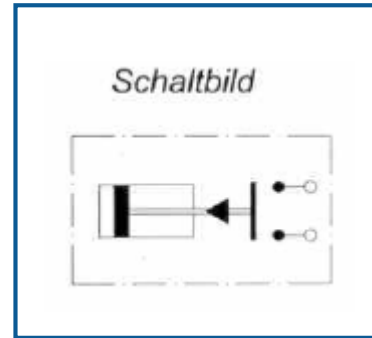
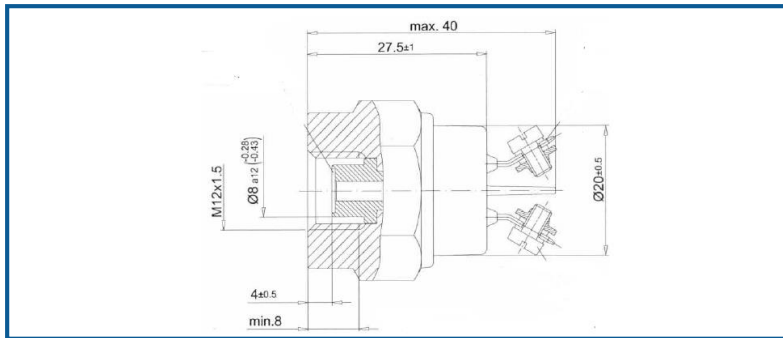


[Back to overview](#)

Stop lamp switches

0 986 346 409

Type of actuation	Fastening	Operating pressure range	Connection	Voltage	Capacity
Oil-pressure switches	Screw in thread M12x1,5	0,1 to 0,5 bar	2 pole blade terminal 6,3 mm	12/ 24 V	100/ 150 W

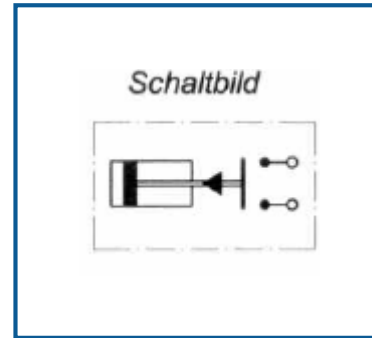
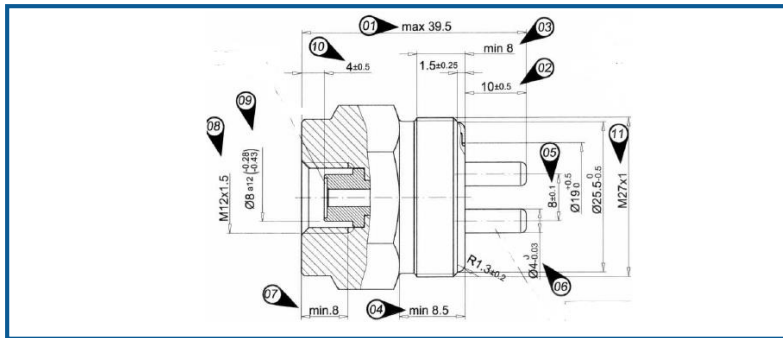


[Back to overview](#)

Stop lamp switches

0 986 346 414

Type of actuation	Fastening	Operating pressure range	Connection	Voltage	Capacity
Oil-pressure switches	Screw in thread M12x1,5	0,75 to 1,0 bar	2 pole pin terminal	12/ 24 V	100/ 150 W

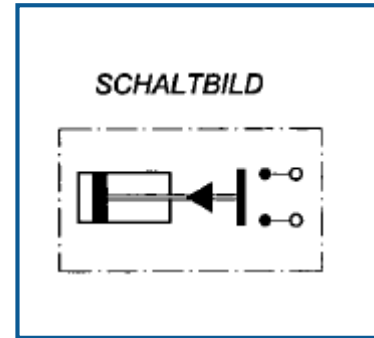
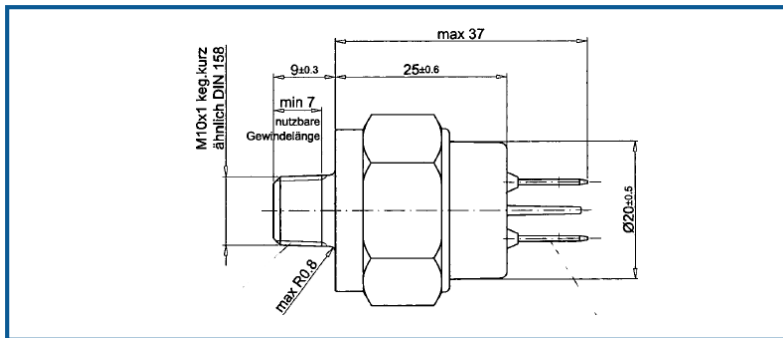


[Back to overview](#)

Stop lamp switches

0 986 346 110

Type of actuation	Fastening	Operating pressure range	Connection	Voltage	Capacity
Oil-pressure switches	Screw in thread M10x1 (tapered short)	3,0 to 6,0 bar	2 pole blade terminal	12/ 24 V	100/ 150 W

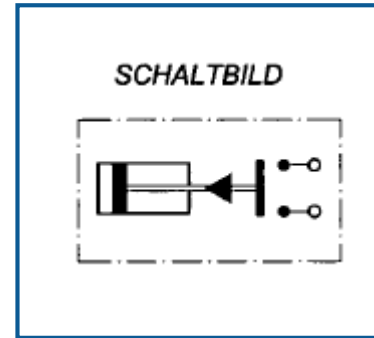
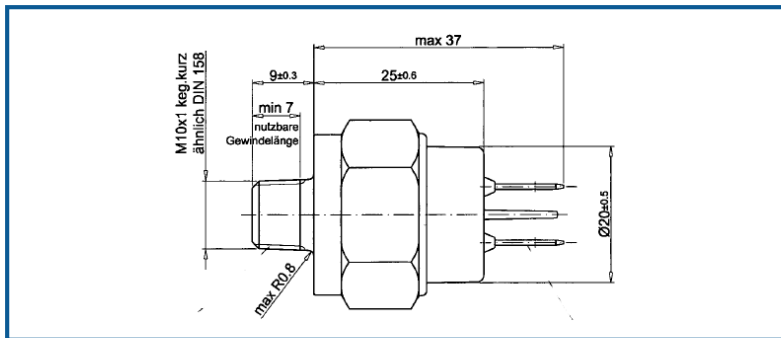


[Back to overview](#)

Stop lamp switches

0 986 346 112

Type of actuation	Fastening	Operating pressure range	Connection	Voltage	Capacity
Oil-pressure switches	Screw in thread M10x1 (tapered short)	2,0 to 4,0 bar	2 pole blade terminal	12/ 24 V	100/ 150 W

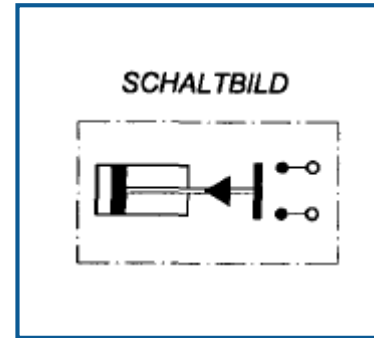
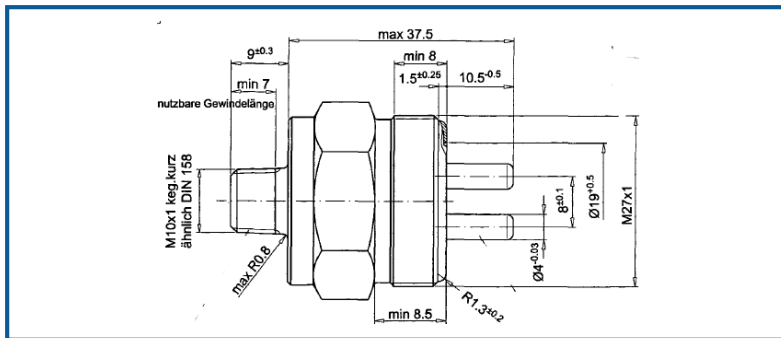


[Back to overview](#)

Stop lamp switches

0 986 346 115

Type of actuation	Fastening	Operating pressure range	Connection	Voltage	Capacity
Oil-pressure switches	Screw in thread M10x1 (tapered short)	2,0 to 5,0 bar	2 pole pin terminal	12/ 24 V	100/ 150 W

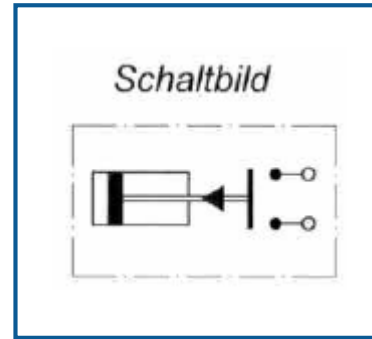
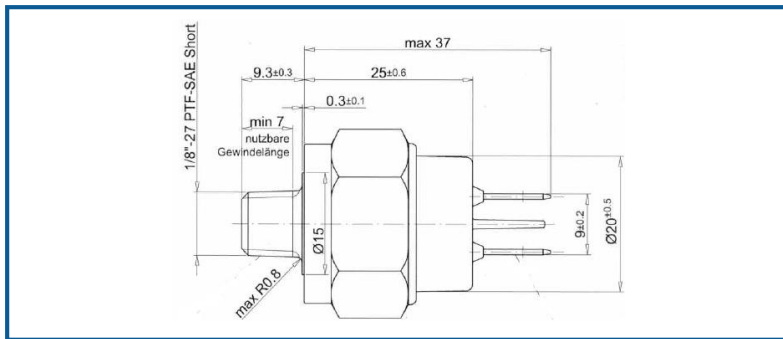


[Back to overview](#)

Stop lamp switches

0 986 346 111

Type of actuation	Fastening	Operating pressure range	Connection	Voltage	Capacity
Oil-pressure switches	Screw in thread 1/8" x 27 NPTF SEA-short	3,0 to 6,0 bar	2 pole blade terminal	12/ 24 V	100/ 150 W

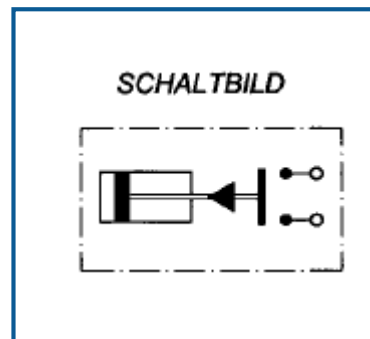
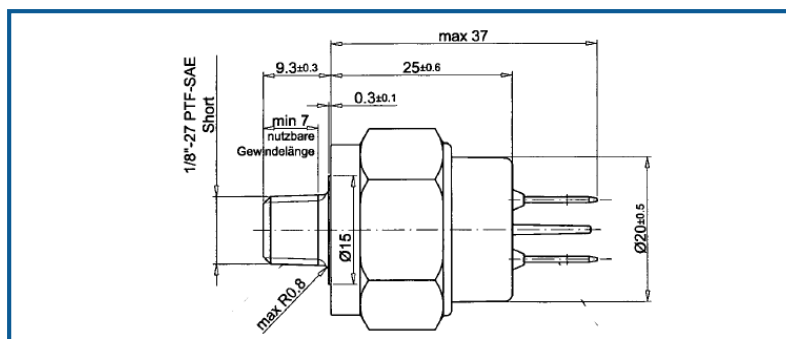


[Back to overview](#)

Stop lamp switches

0 986 346 119

Type of actuation	Fastening	Operating pressure range	Connection	Voltage	Capacity
Oil-pressure switches	Screw in thread 1/8" x 27 NPTF SEA-short	2,0 to 4,0 bar	2 pole blade terminal	12/ 24 V	100/ 150 W

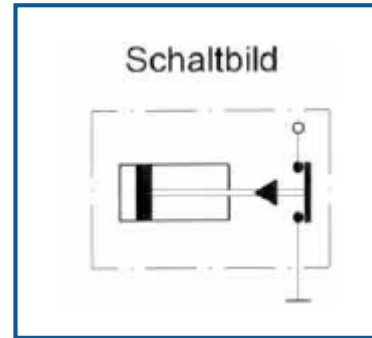
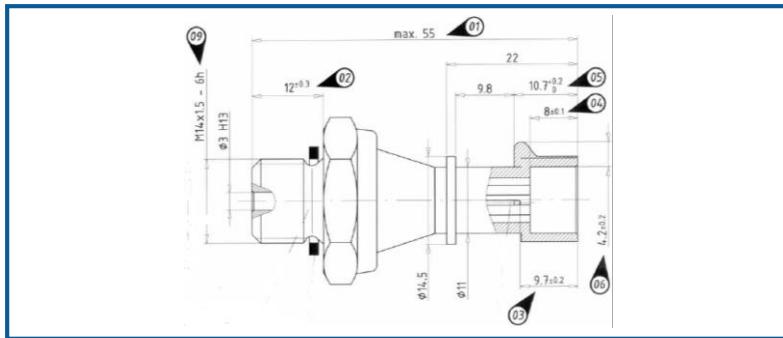


[Back to overview](#)

Stop lamp switches

0 986 346 370

Type of actuation	Fastening	Operating pressure range	Connection	Voltage	Capacity
Oil-pressure switches/NC contact	Screw in thread M 14x1,5	0,30 to 0,55 bar	1 pole blade terminal 1,5x0,8 Messing silver-plated	12/ 24 V	100/ 150 W

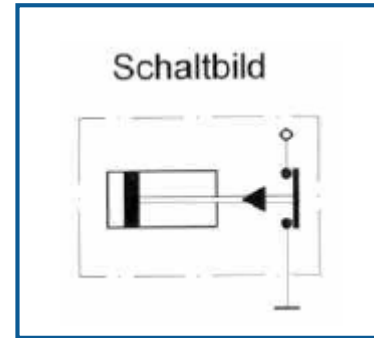
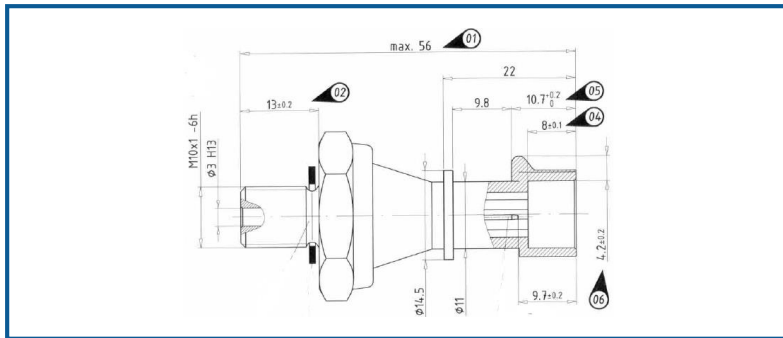


[Back to overview](#)

Stop lamp switches

0 986 346 371

Type of actuation	Fastening	Operating pressure range	Connection	Voltage	Capacity
Oil-pressure switches/NC contact	Screw in thread M 10x1,0	0,30 to 0,55 bar	1 pole blade terminal 1,5x0,8 Messing silver-plated	12/ 24 V	100/ 150 W

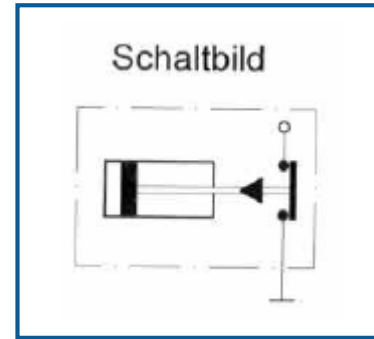
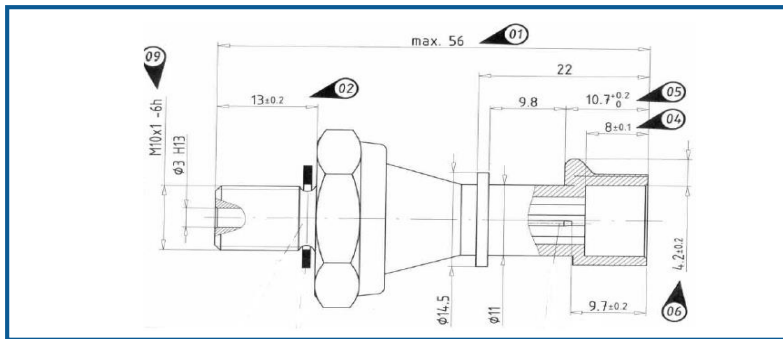


[Back to overview](#)

Stop lamp switches

0 986 346 372

Type of actuation	Fastening	Operating pressure range	Connection	Voltage	Capacity
Oil-pressure switches/NC contact	Screw in thread M 10x1,0	0,20 to 0,40 bar	1 pole blade terminal 1,5x0,8 Messing silver-plated	12/ 24 V	100/ 150 W

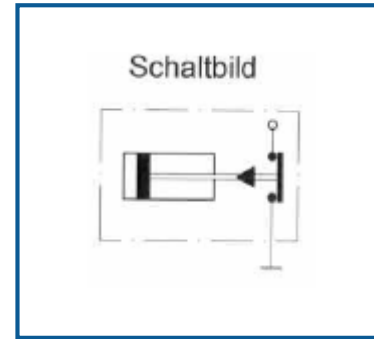
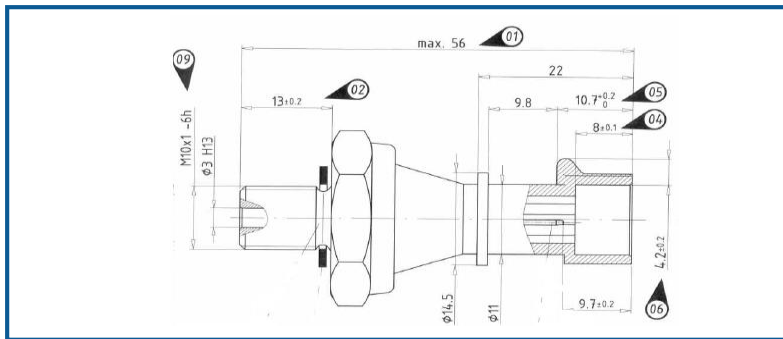


[Back to overview](#)

Stop lamp switches

0 986 346 373

Type of actuation	Fastening	Operating pressure range	Connection	Voltage	Capacity
Oil-pressure switches/NC contact	Screw in thread M 10x1,0	0,10 to 0,30 bar	1 pole blade terminal 1,5x0,8 Messing silver-plated	12/ 24 V	100/ 150 W

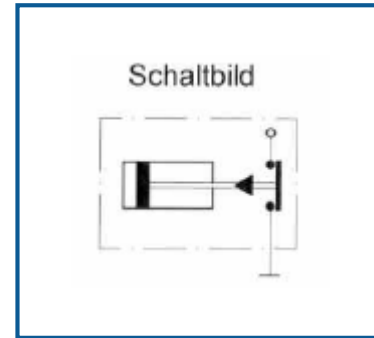
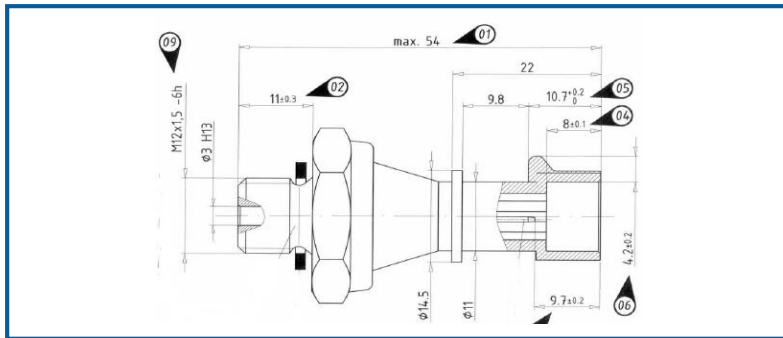


[Back to overview](#)

Stop lamp switches

0 986 346 374

Type of actuation	Fastening	Operating pressure range	Connection	Voltage	Capacity
Oil-pressure switches/NC contact	Screw in thread M 12x1,5	0,20 to 0,40 bar	1 pole blade terminal 1,5x0,8 Messing silver-plated	12/ 24 V	100/ 150 W

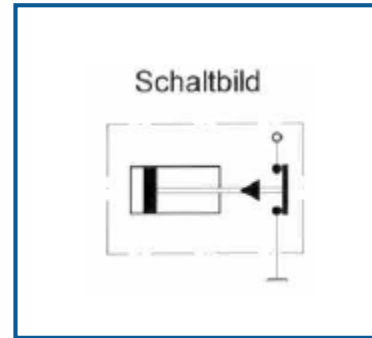
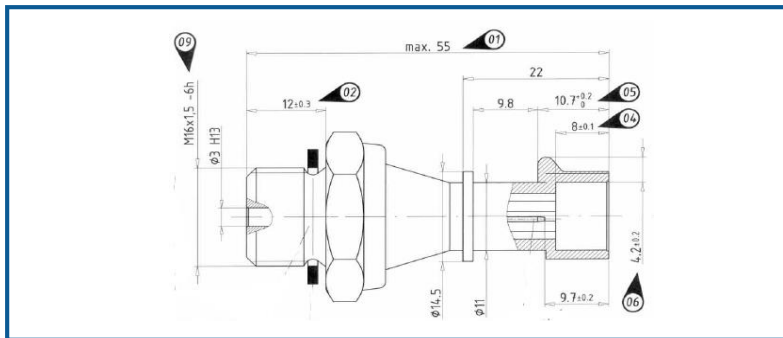


[Back to overview](#)

Stop lamp switches

0 986 346 375

Type of actuation	Fastening	Operating pressure range	Connection	Voltage	Capacity
Oil-pressure switches/NC contact	Screw in thread M16x1,5	0,45 to 0,75 bar	1 pole blade terminal 1,5x0,8 Messing silver-plated	12/ 24 V	100/ 150 W

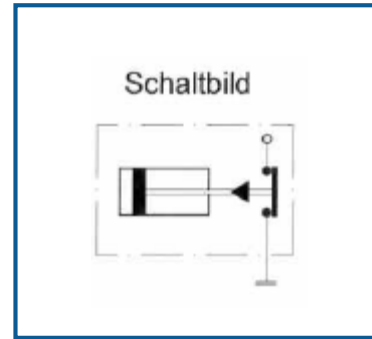
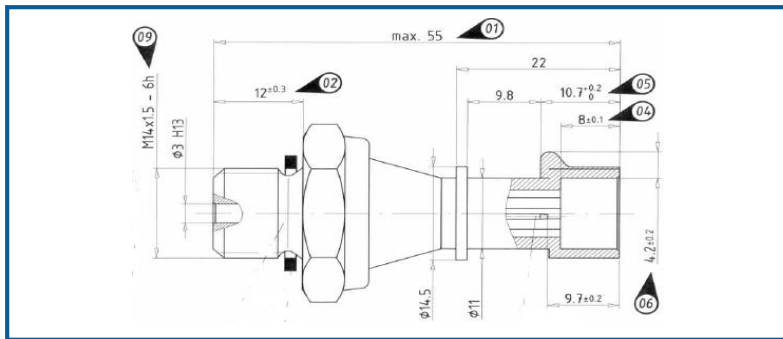


[Back to overview](#)

Stop lamp switches

0 986 346 376

Type of actuation	Fastening	Operating pressure range	Connection	Voltage	Capacity
Oil-pressure switches/NC contact	Screw in thread M14x1,5	0,45 to 0,75 bar	1 pole blade terminal 1,5x0,8 Messing silver-plated	12/ 24 V	100/ 150 W

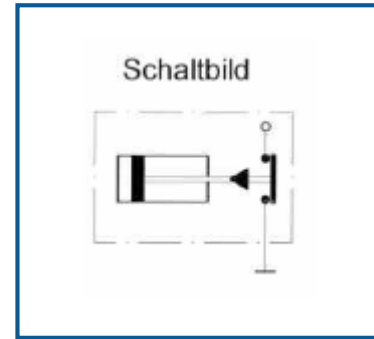
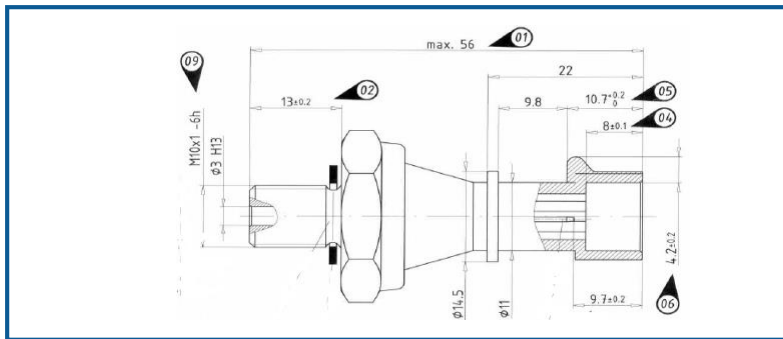


[Back to overview](#)

Stop lamp switches

0 986 346 377

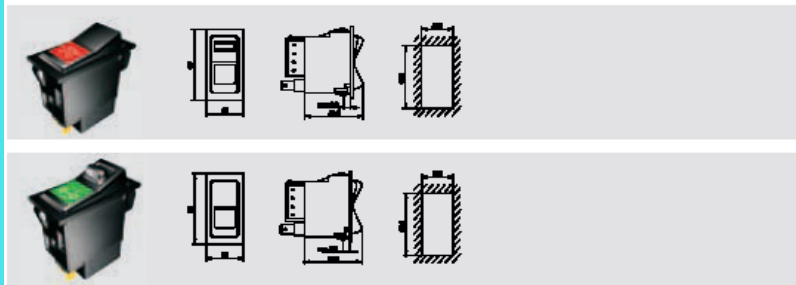
Type of actuation	Fastening	Operating pressure range	Connection	Voltage	Capacity
Oil-pressure switches/NC contact	Screw in thread M10x1,0	1,80 to 2,20 bar	1 pole blade terminal 1,5x0,8 Messing silver-plated	12/ 24 V	100/ 150 W



[Back to overview](#)

Flush-mounted and indicator switches

Product range „Classic design“ Type 1



Symbol illumination options



Version A
Applications: Non-illuminated switches or switches with direct illumination by lighting element.



Version B
Applications: Illuminated switches (light shines through plastic diaphragm, diffuse light).



Version C
Applications: Illuminated switches.
When not switched on, the switch is only dimly lit (diffuse light: position of switch can be seen).
It is more brightly lit when switched on (switch set to ON: bright light).

Key to circuit diagram symbols



Switch (On/Off)
This switch can be set to different positions.



Rocker switch
This switch returns to its original position after being actuated.



Double locking
Status is retained until switch is actuated again.



Single locking
Switch engages.



Non-locking switch
Switch function in the form of a button.

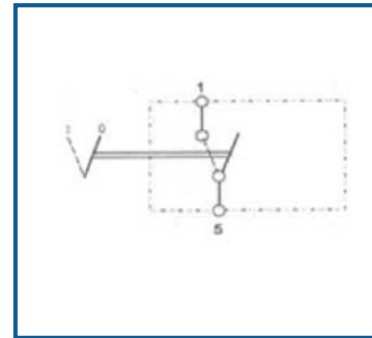
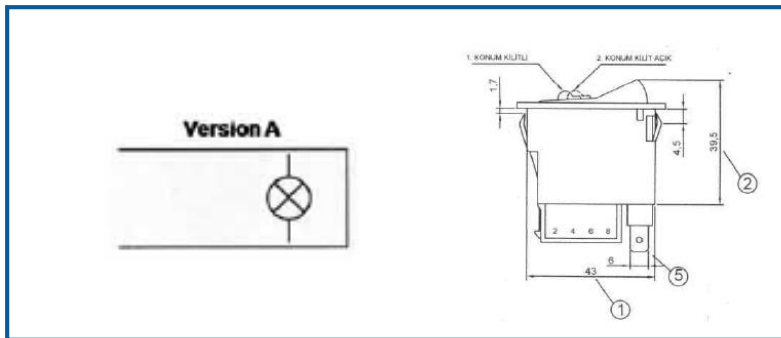


Non-locking switch
Switch function in the form of a button on both sides.

Flush-mounted and indicator switches

0 986 348 001

Light	Lock (On)	Lock (Off)	Voltage
A			12 V

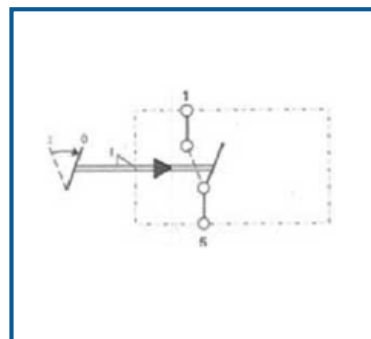
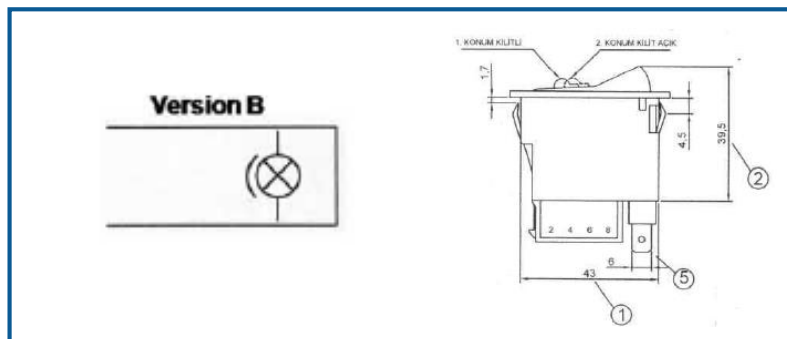


[Back to overview](#)

Flush-mounted and indicator switches

0 986 348 151

Light	Lock (On)	Lock (Off)	Voltage
B	X		12 V

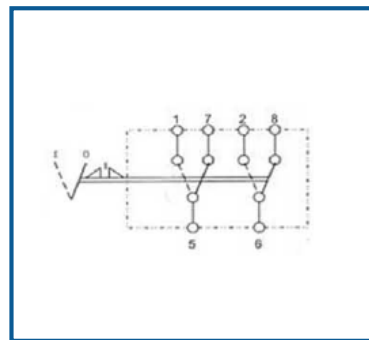
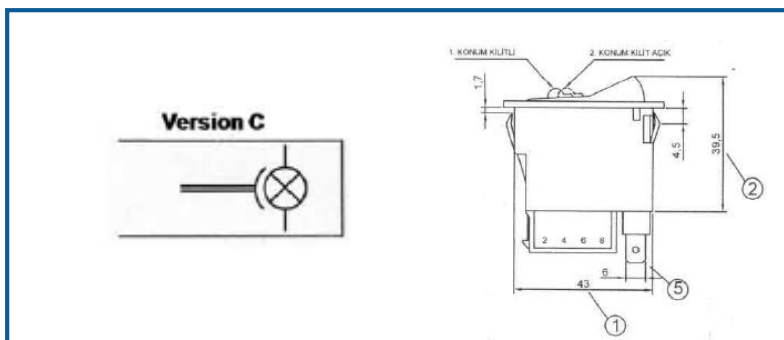


[Back to overview](#)

Flush-mounted and indicator switches

0 986 348 174

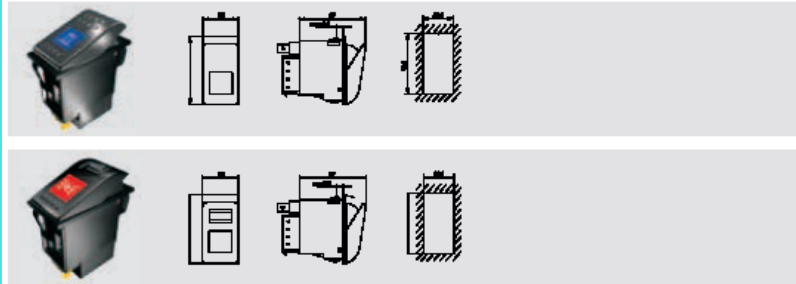
Light	Lock (On)	Lock (Off)	Voltage
C	X	X	12 V



[Back to overview](#)

Flush-mounted and indicator switches

Product range „Modern design“ Type 2



Symbol illumination options



Version A

Applications: Non-illuminated switches or switches with direct illumination by lighting element.



Version B

Applications: Illuminated switches (light shines through plastic diaphragm, diffuse light).



Version C

Applications: Illuminated switches.
When not switched on, the switch is only dimly lit (diffuse light: position of switch can be seen).
It is more brightly lit when switched on (switch set to ON: bright light).

Key to circuit diagram symbols



Switch (On/Off)

This switch can be set to different positions.



Rocker switch

This switch returns to its original position after being actuated.



Double locking

Status is retained until switch is actuated again.



Single locking

Switch engages.



Non-locking switch

Switch function in the form of a button.



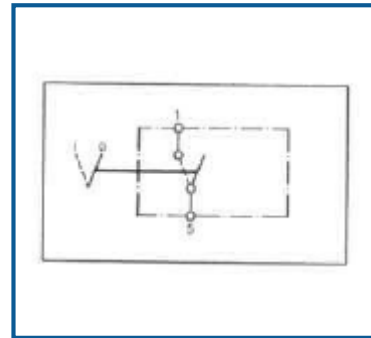
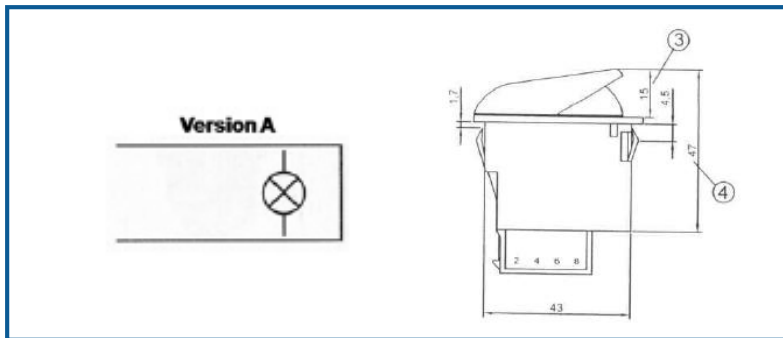
Non-locking switch

Switch function in the form of a button on both sides.

Flush-mounted and indicator switches

0 986 348 301

Light	Lock (On)	Lock (Off)	Voltage
A			12 V

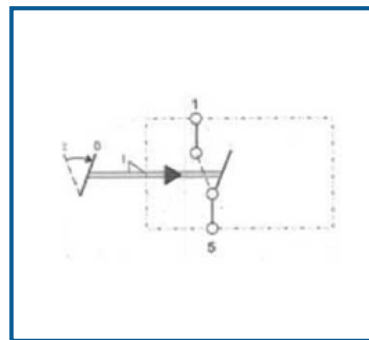
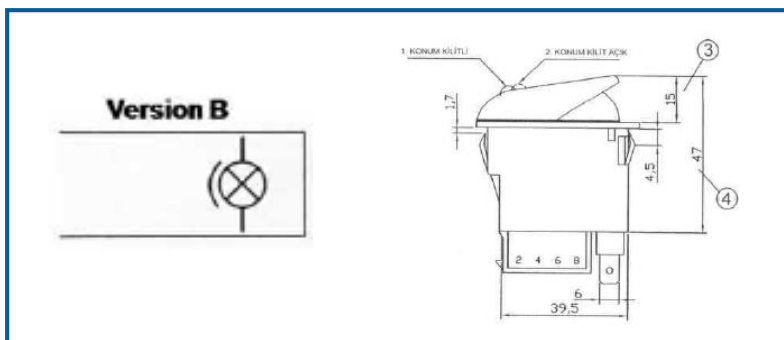


[Back to overview](#)

Flush-mounted and indicator switches

0 986 348 451

Light	Lock (On)	Lock (Off)	Voltage
B	X		12 V

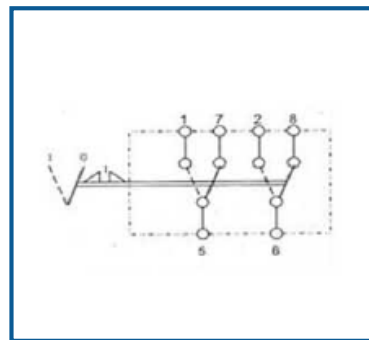
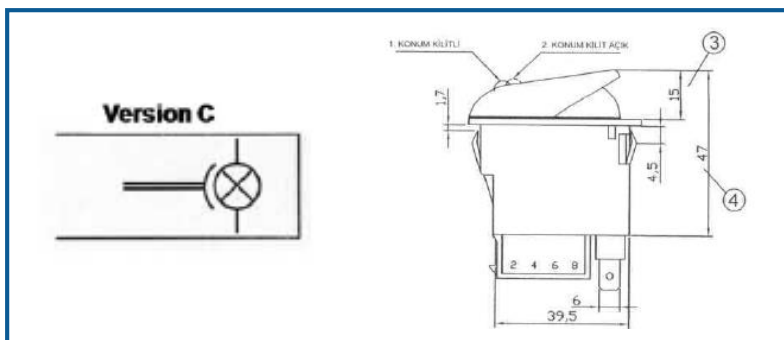


[Back to overview](#)

Flush-mounted and indicator switches

0 986 348 474

Light	Lock (On)	Lock (Off)	Voltage
C	x	x	12 V




[Back to overview](#)

Function symbols/ Accessories

From page 242 to 275

Function symbols

0 986 348 711

Symbol	Description
	Green

[Back to overview](#)

Function symbols


0 986 348 707

Symbol	Description
	Red

[Back to overview](#)

Function symbols

0 986 348 705

Symbol	Description
	Orange

[Back to overview](#)

Function symbols

0 986 348 708

Symbol	Description
	Wipers

[Back to overview](#)

Function symbols


0 986 348 706

Symbol	Description
	Wipers/washer system

[Back to overview](#)

Function symbols


0 986 348 710

Symbol	Description
	Dipped beam

[Back to overview](#)

Function symbols


0 986 348 703

Symbol	Description
	Main beam

[Back to overview](#)

Function symbols

0 986 348 700

Symbol	Description
	Floodlamp

[Back to overview](#)

Function symbols

0 986 348 704

Symbol	Description
	Hazard warning system

[Back to overview](#)

Function symbols


0 986 348 709

Symbol	Description
	Turbo blower

[Back to overview](#)

Function symbols


0 986 348 701

Symbol	Description
	Adjustment of blower speed

[Back to overview](#)

Function symbols

0 986 348 702

Symbol	Description
	Cylinder setting

[Back to overview](#)

Accessories

0 986 348 618

Name

Mounting frame



[Back to overview](#)

Accessories

0 986 348 617

Name

Mounting frame



[Back to overview](#)

Accessories

0 986 348 616

Name

Mounting frame



[Back to overview](#)

Accessories

0 986 348 615

Name

Mounting frame



[Back to overview](#)

Accessories

0 986 348 600

Name

Mounting frame



[Back to overview](#)

Accessories

0 986 348 621

Name

Screen



[Back to overview](#)

Accessories

0 986 348 601

Name	Voltage	Bulb
Soclet	12 V	incl. 1 bulb



[Back to overview](#)

Accessories

0 986 348 602

Name	Voltage	Bulb
Soclet	24 V	incl. 1 bulb



[Back to overview](#)

Accessories

0 986 348 603

Name	Voltage	Bulb
Soclet	12 V	incl. 2 bulbs



[Back to overview](#)

Accessories

0 986 348 604

Name	Voltage	Bulb
Soclet	24 V	incl. 2 bulbs



[Back to overview](#)

Accessories

0 986 348 608

Name	Voltage	Bulb
Soclet	12 V	incl. 1 bulb



[Back to overview](#)

Accessories

0 986 348 610

Name	Voltage	Bulb
Soclet	24 V	incl. 1 bulb



[Back to overview](#)

Accessories

0 986 348 609

Name	Voltage	Bulb
Soclet	12 V	incl. 2 bulbs



[Back to overview](#)

Accessories

0 986 348 611

Name	Voltage	Bulb
Soclet	24 V	incl. 2 bulbs

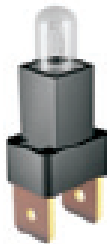


[Back to overview](#)

Accessories

0 986 348 624

Name	Voltage
Plug-in lamp	12 V

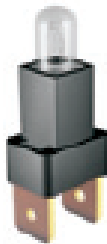


[Back to overview](#)

Accessories

0 986 348 623

Name	Voltage
Plug-in lamp	24 V



[Back to overview](#)

Accessories

0 986 348 619

Name	Voltage
Plug-in lamp	12 V



[Back to overview](#)

Accessories

0 986 348 620

Name	Voltage
Plug-in lamp	24 V



[Back to overview](#)

Accessories

0 986 348 606

Name	Voltage
Plug-in lamp	12 V



[Back to overview](#)

Accessories

0 986 348 607

Name	Voltage
Plug-in lamp	24 V



[Back to overview](#)

Accessories

0 986 348 622

Name

Soclet



[Back to overview](#)

Accessories

0 986 348 605

Name

Soclet



[Back to overview](#)